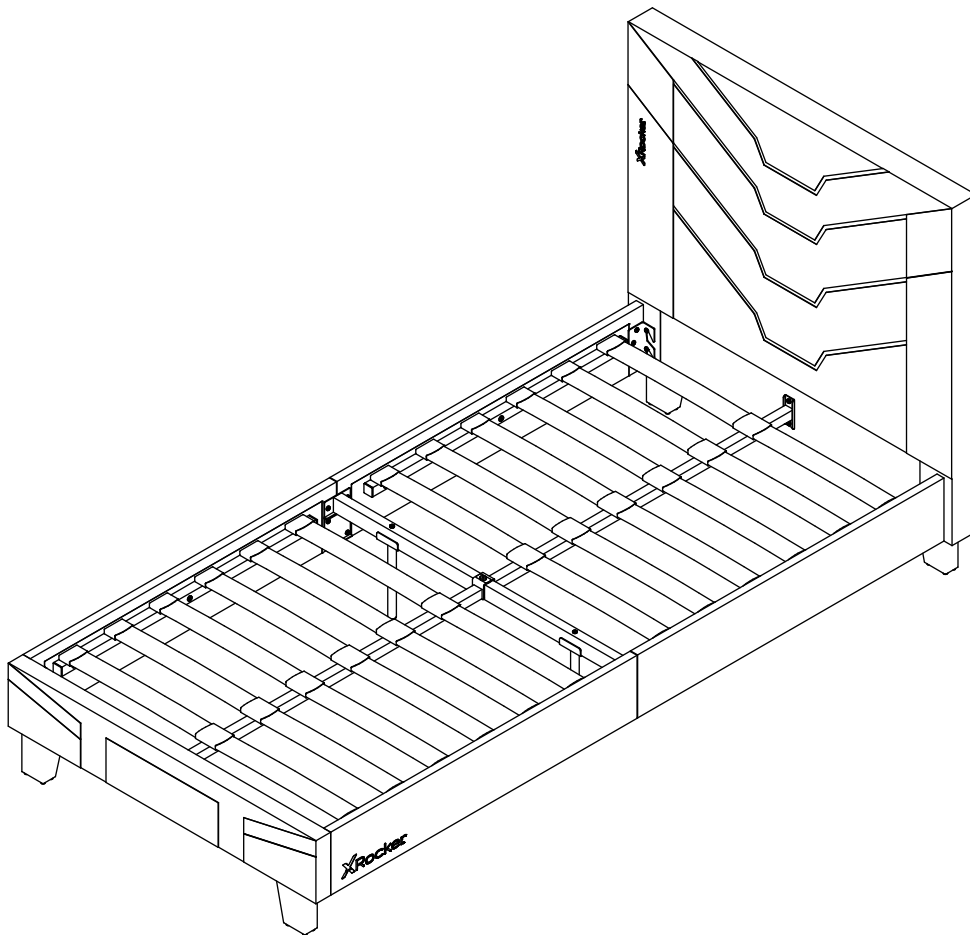


# CERBERUS MKII BED - COMPACT SINGLE

IMPORTANT - READ CAREFULLY - RETAIN FOR FUTURE REFERENCE

**X**Rocker®



## Dimensions

Width -203.5cm

Depth -104.5cm

Height -101cm

If there are any parts missing or you need further assistance, please visit:

[www.bluemouth.com.au](http://www.bluemouth.com.au)

**IMPORTANT: You must keep your original retail receipt as proof of purchase.**



## **SAFETY AND CARE ADVICE**

### **IMPORTANT - READ CAREFULLY - RETAIN FOR FUTURE REFERENCE**

- Check you have all the components and tools listed on the following pages.
- Remove all fittings from the plastic bags and separate them into their groups.
- Keep children and animals away from the work area. Small parts may cause a choking hazard.
- Parts of the assembly will be easier with 2 people.
- Make sure you have enough space to layout the parts before starting.
- Assemble the item as close to its final position (in the same room) as possible
- Dispose of all packaging carefully and responsibly.
- Place the product on flat and steady surface during use.
- Assemble on a soft level surface to avoid damaging the unit or your floor.
- Keep these instructions for further use.
- To ensure an easier assembly we strongly advise that all fittings are only finger tightened during initial assembly. Only upon completion of the assembly should all fixing points be fully tightened.

## **CARE AND MAINTENANCE**

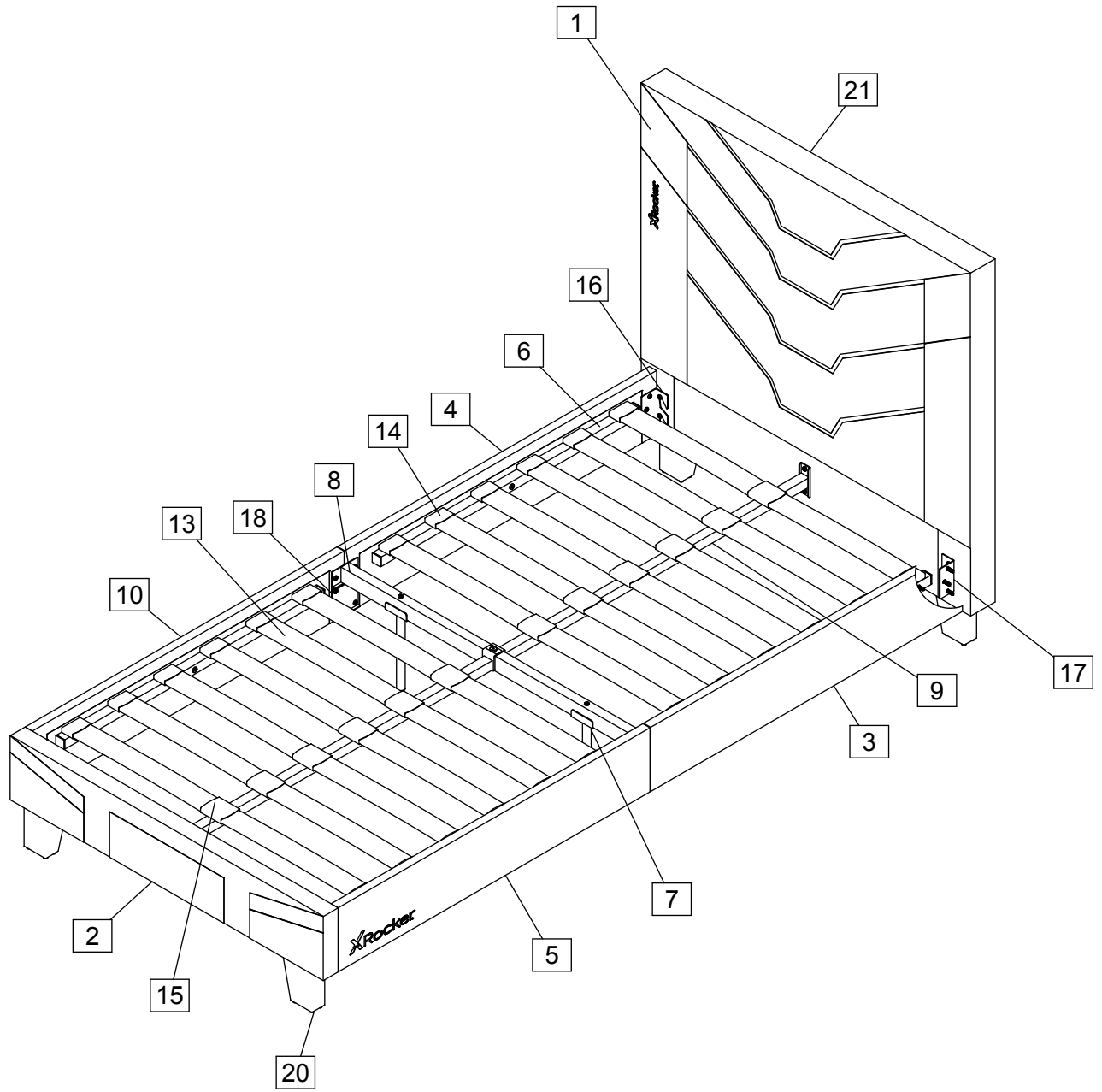
- Only clean using a damp cloth and mild detergent, do not use bleach or abrasive cleaners.
- Regularly check and ensure that all bolts and fittings are tightened properly.

## **HANDY HINTS**

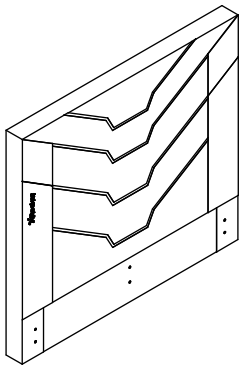
- Check you have all the components and tools listed on the following pages. Remove all fittings from the plastic bags and separate them into their groups.
- Place the product on flat and steady surface during use.

**IMPORTANT: YOU MUST KEEP YOUR ORIGINAL RETAIL RECEIPT AS PROOF OF PURCHASE.**

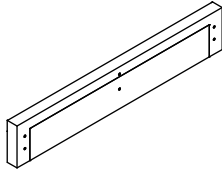
# PARTS



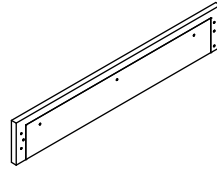
# PARTS



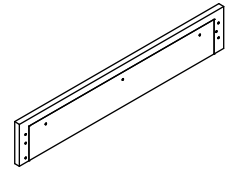
1 Headboard X 1



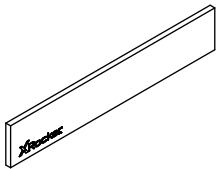
2 Footboard X 1



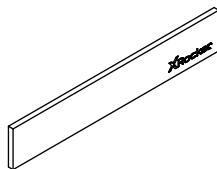
3 Side Panel X 1



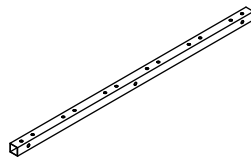
4 Side Panel X 1



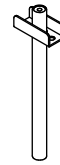
5 Side Panel X 1



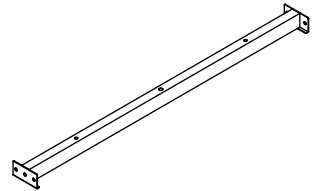
10 Side Panel X 1



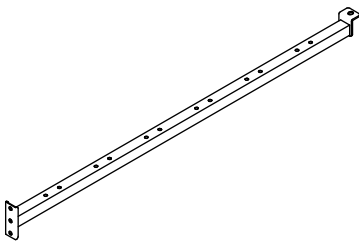
6 Side Rail X 4



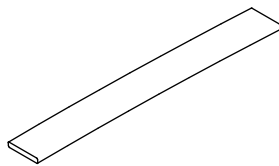
7 Support Leg X 2



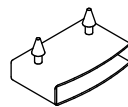
8 Center Rail X 1



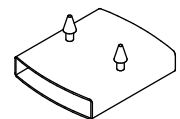
9 Center Rail X 2



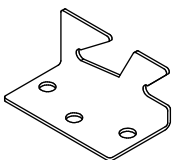
13 Wooden Slat X 24



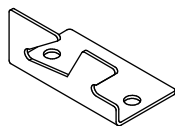
14 Single Slat Cap X 24



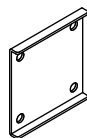
15 Double Slat Cap X 12



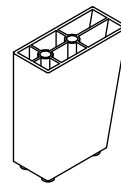
16 Left Bracket X 2



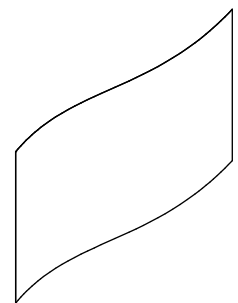
17 Right Bracket X 2



18 Connector X 2

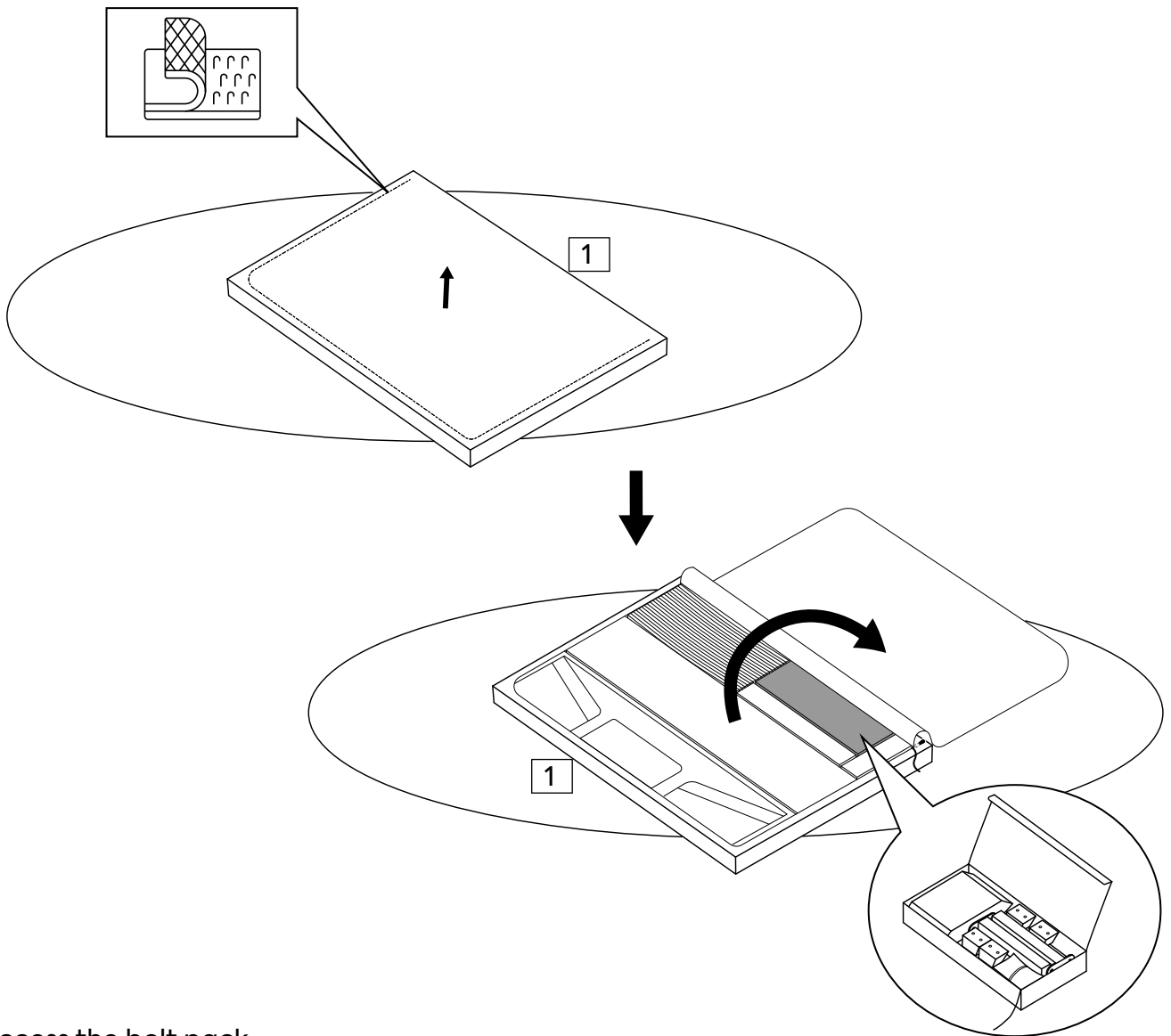


20 Leg X 4

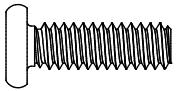
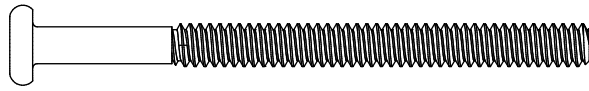

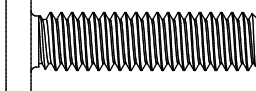

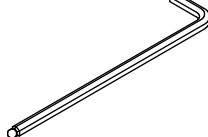


21 Back Cover X 1

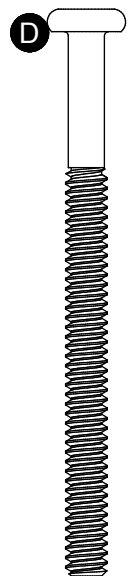
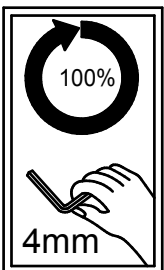
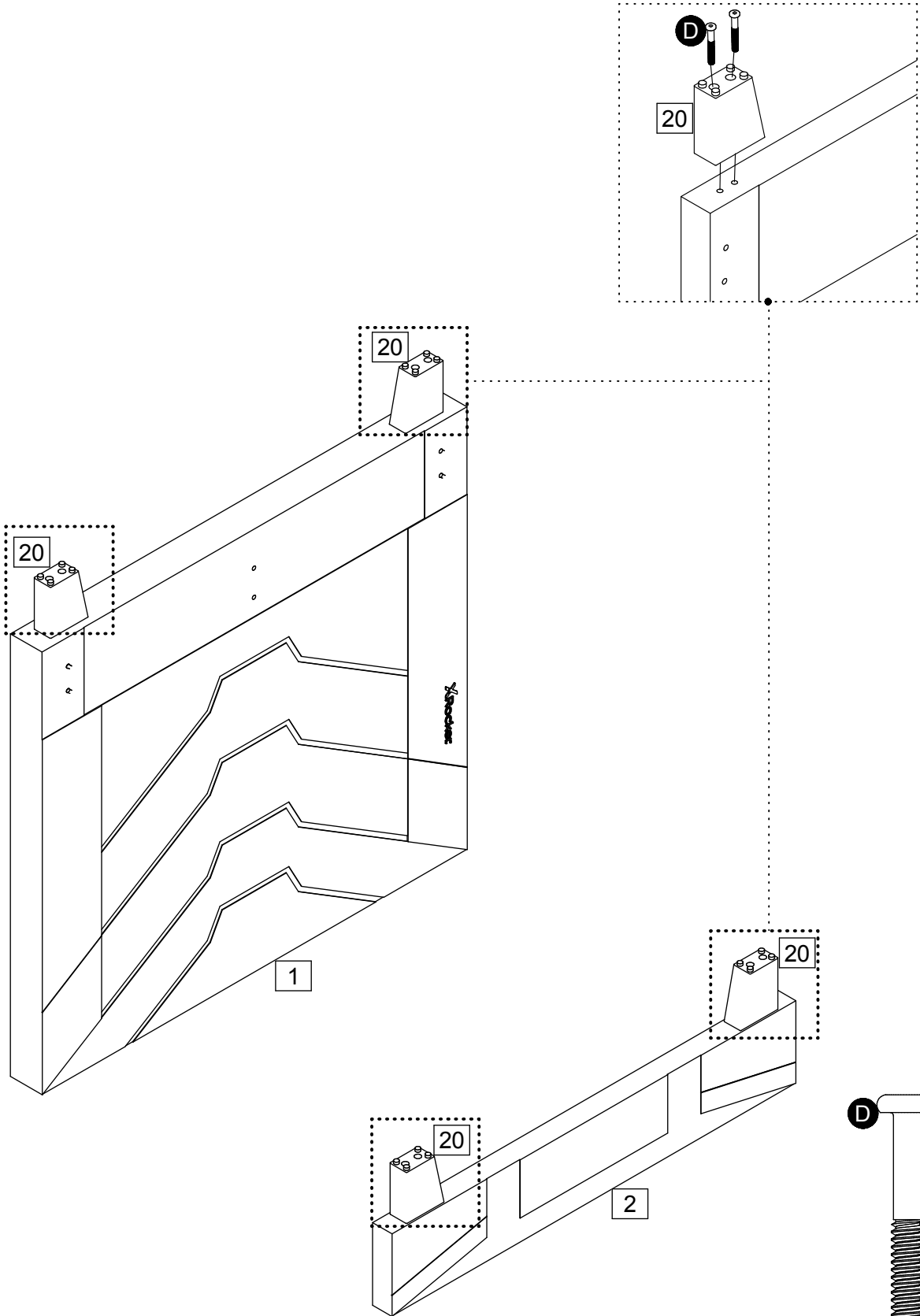
# FITTINGS



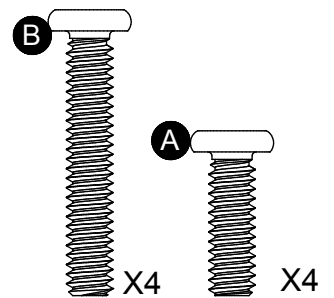
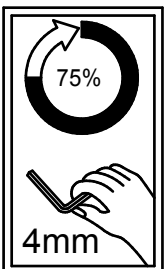
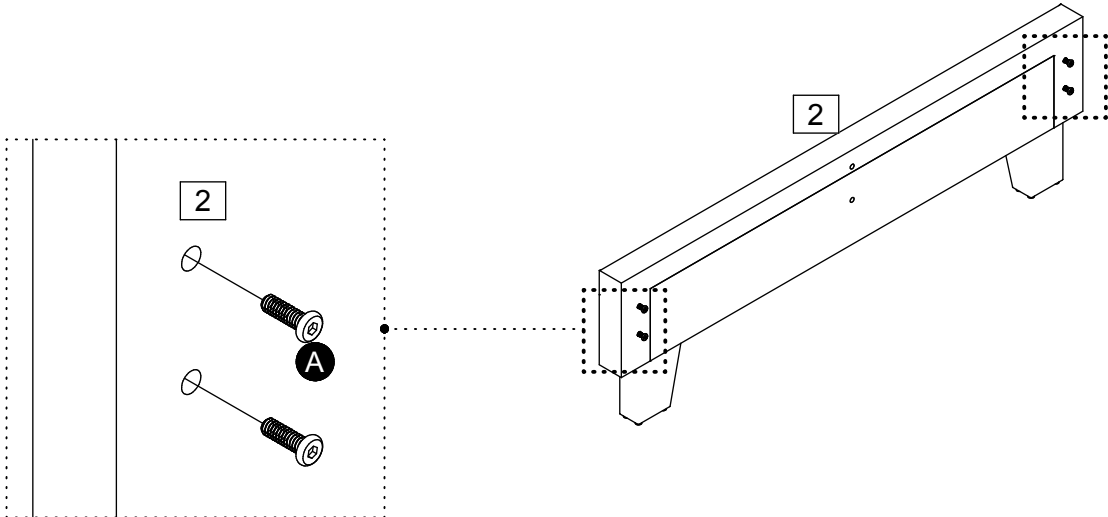
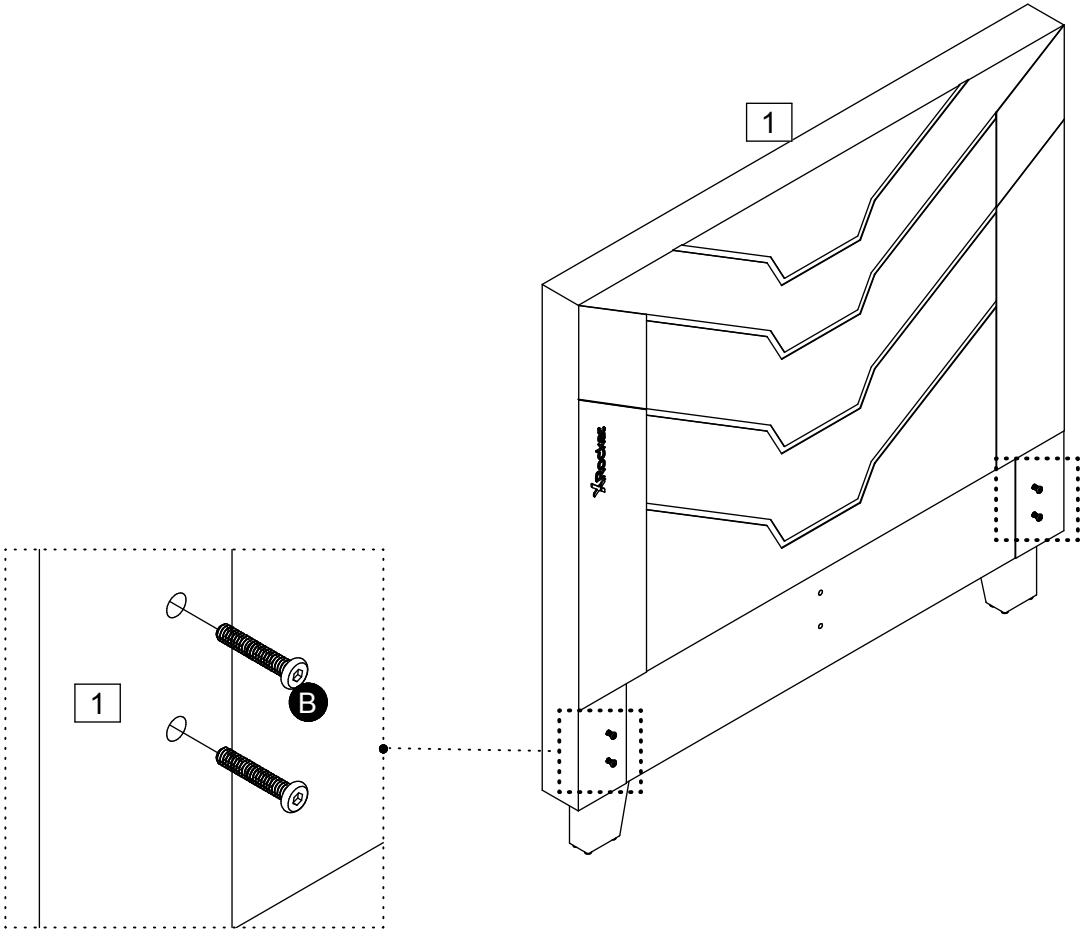
To access the bolt pack.

<p><b>A</b></p>  <p>19mm M6 Bolt x 38</p>	<p><b>D</b></p>  <p>80mm M6 Bolt x 8</p>
<p><b>B</b></p>  <p>35mm M6 Bolt x 4</p>	<p><b>E</b></p>  <p>30mm M8 Bolt x 1</p>
<p><b>C</b></p>  <p>40mm M6 Bolt x 12</p>	<p><b>F</b></p>  <p>Allen Key x 1</p>

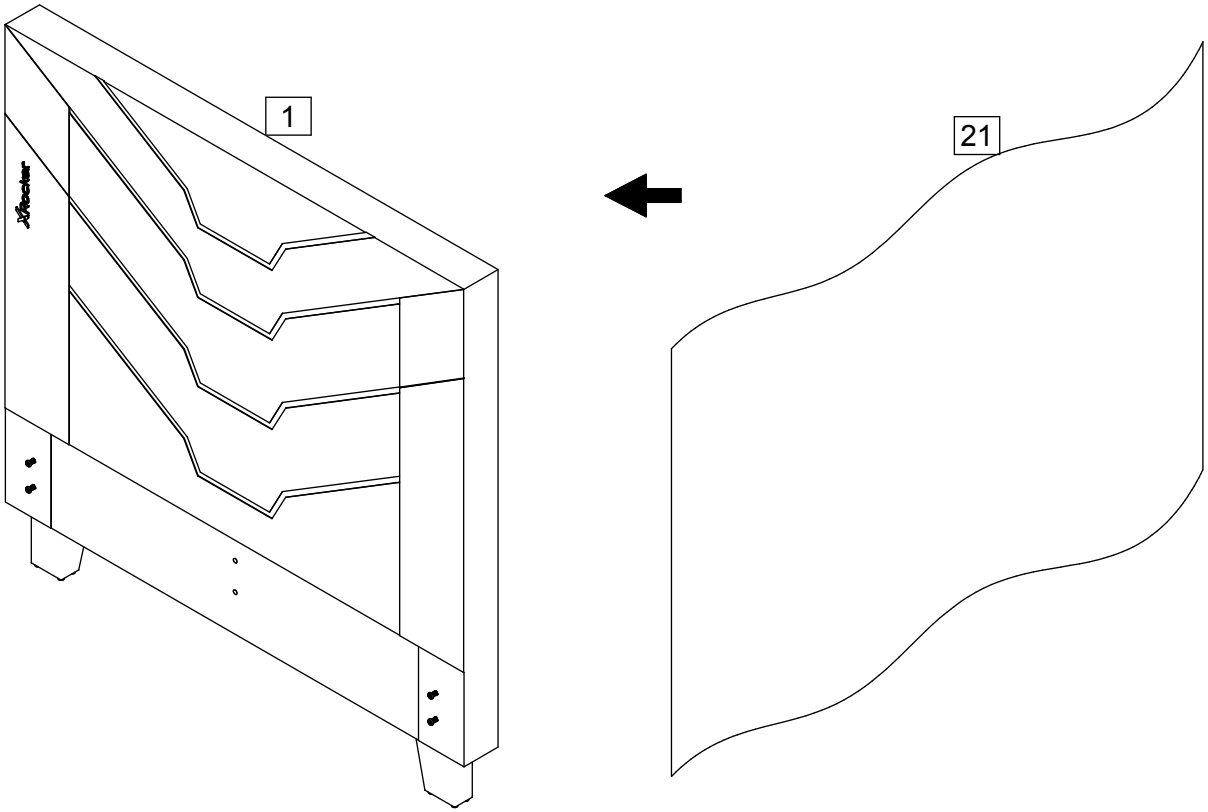
# 1



# 2

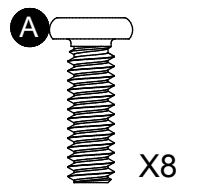
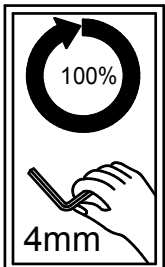
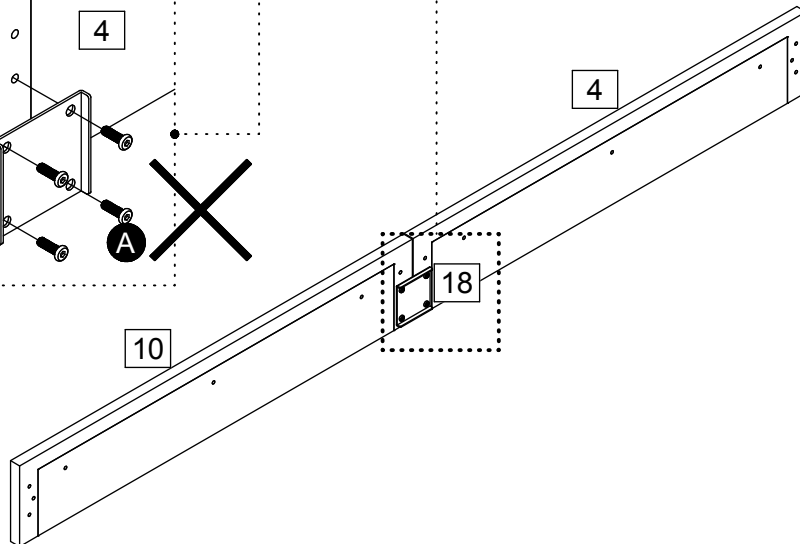
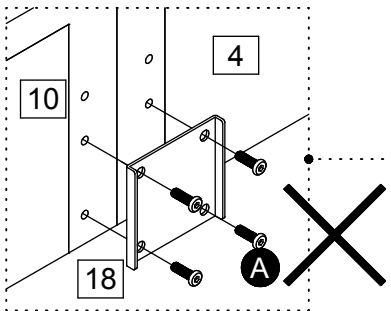
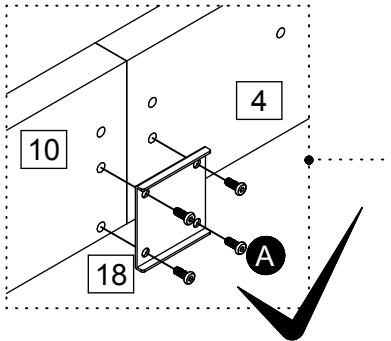
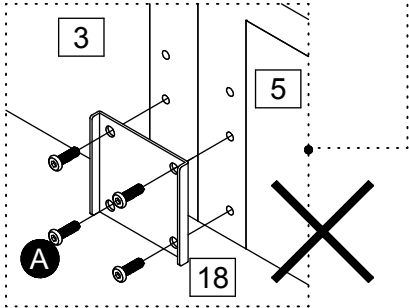
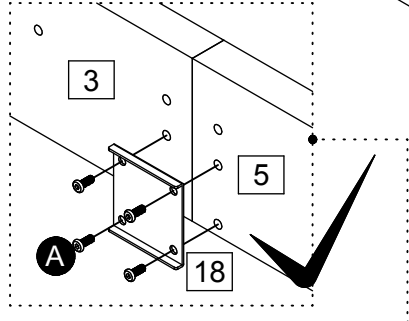
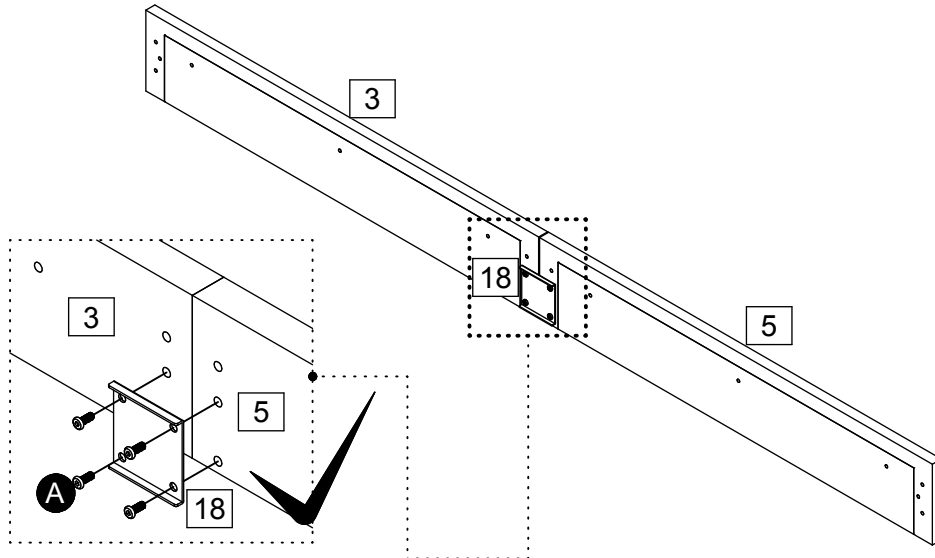


# 3

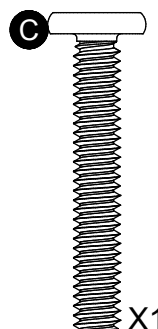
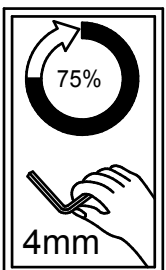
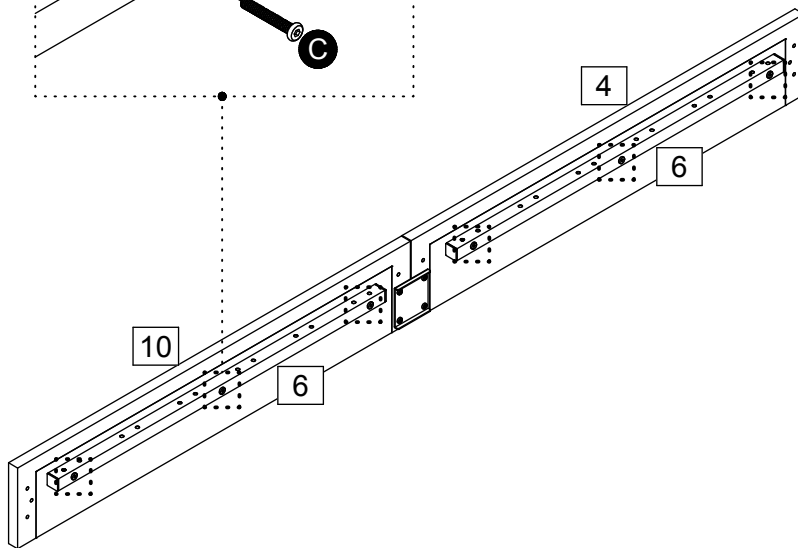
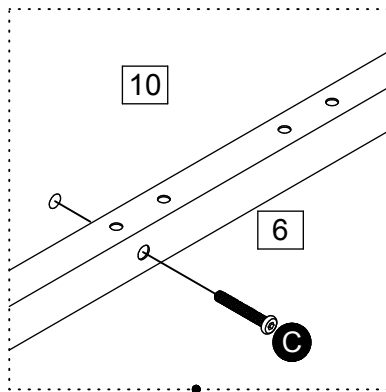
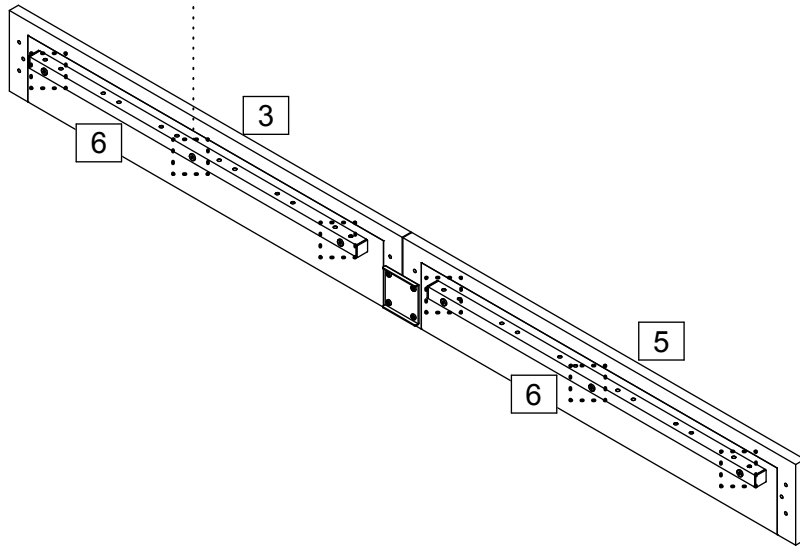
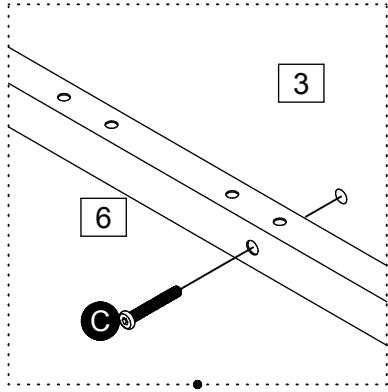




# 4

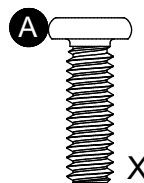
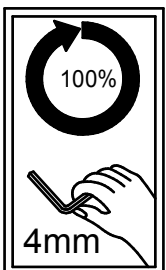
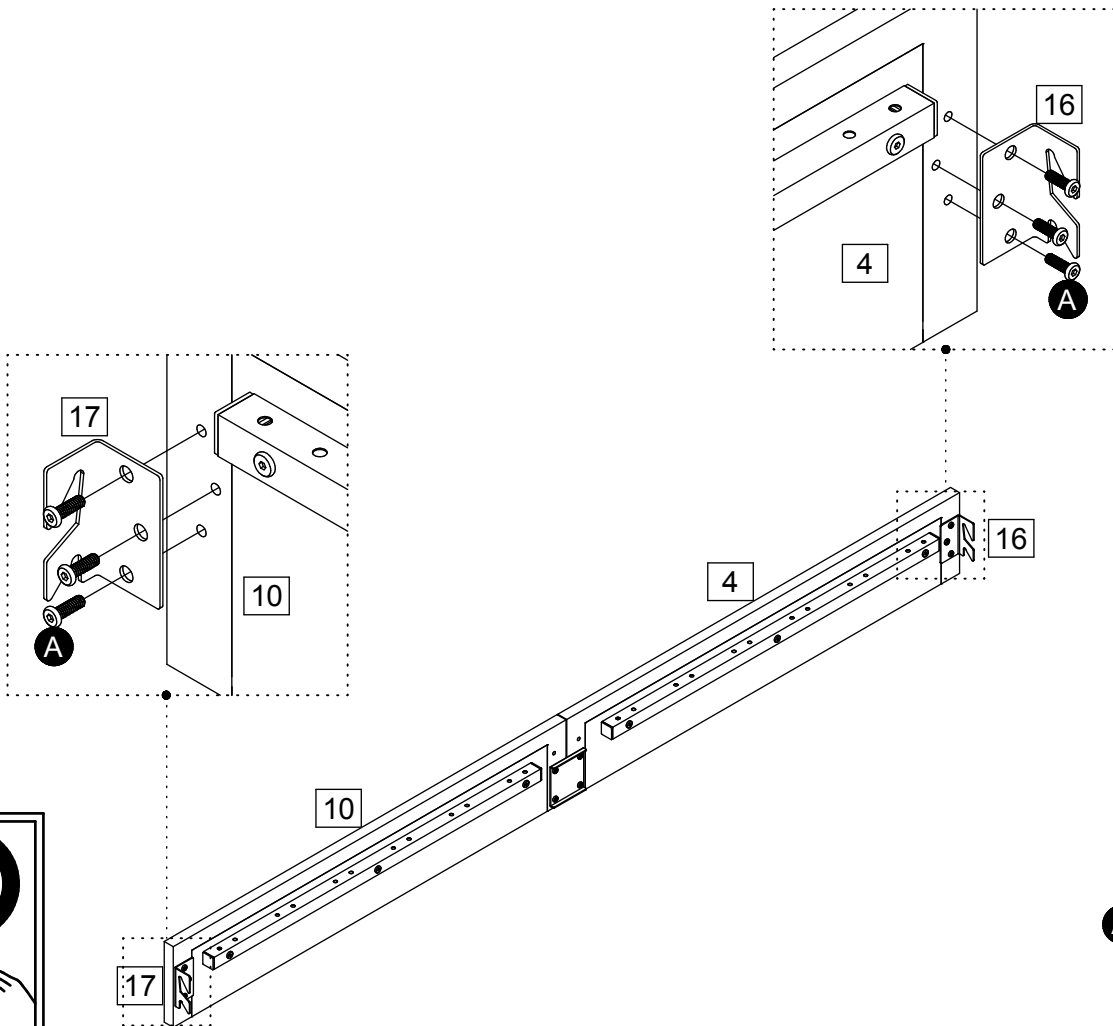
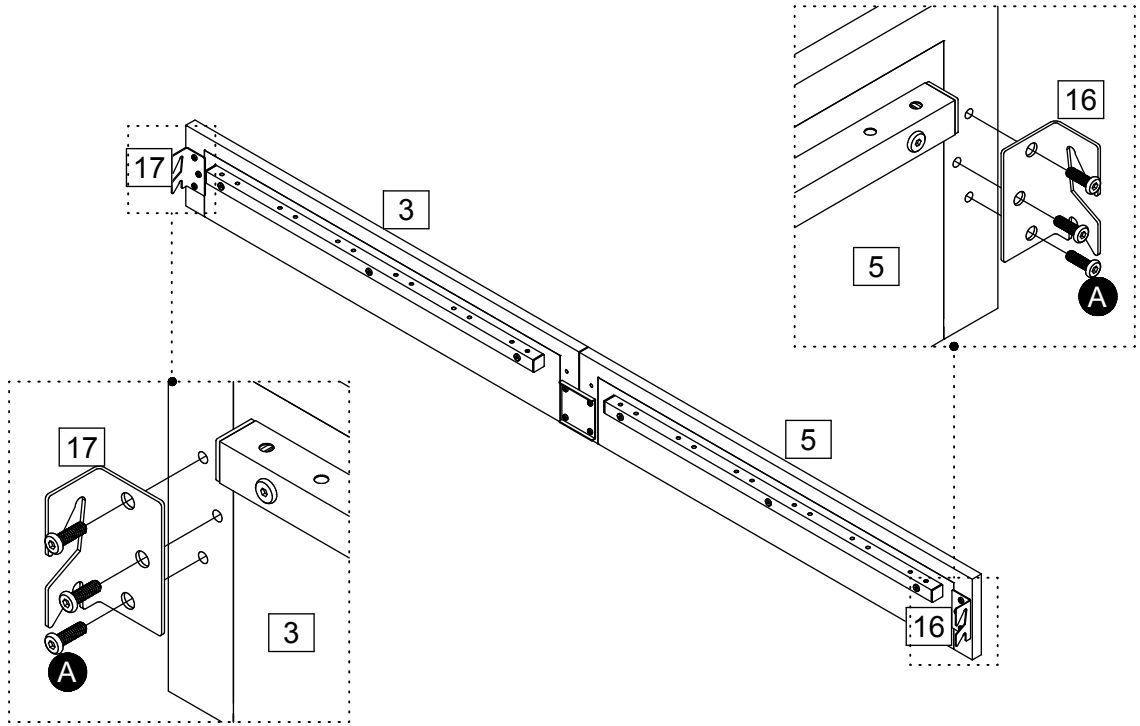


# 5



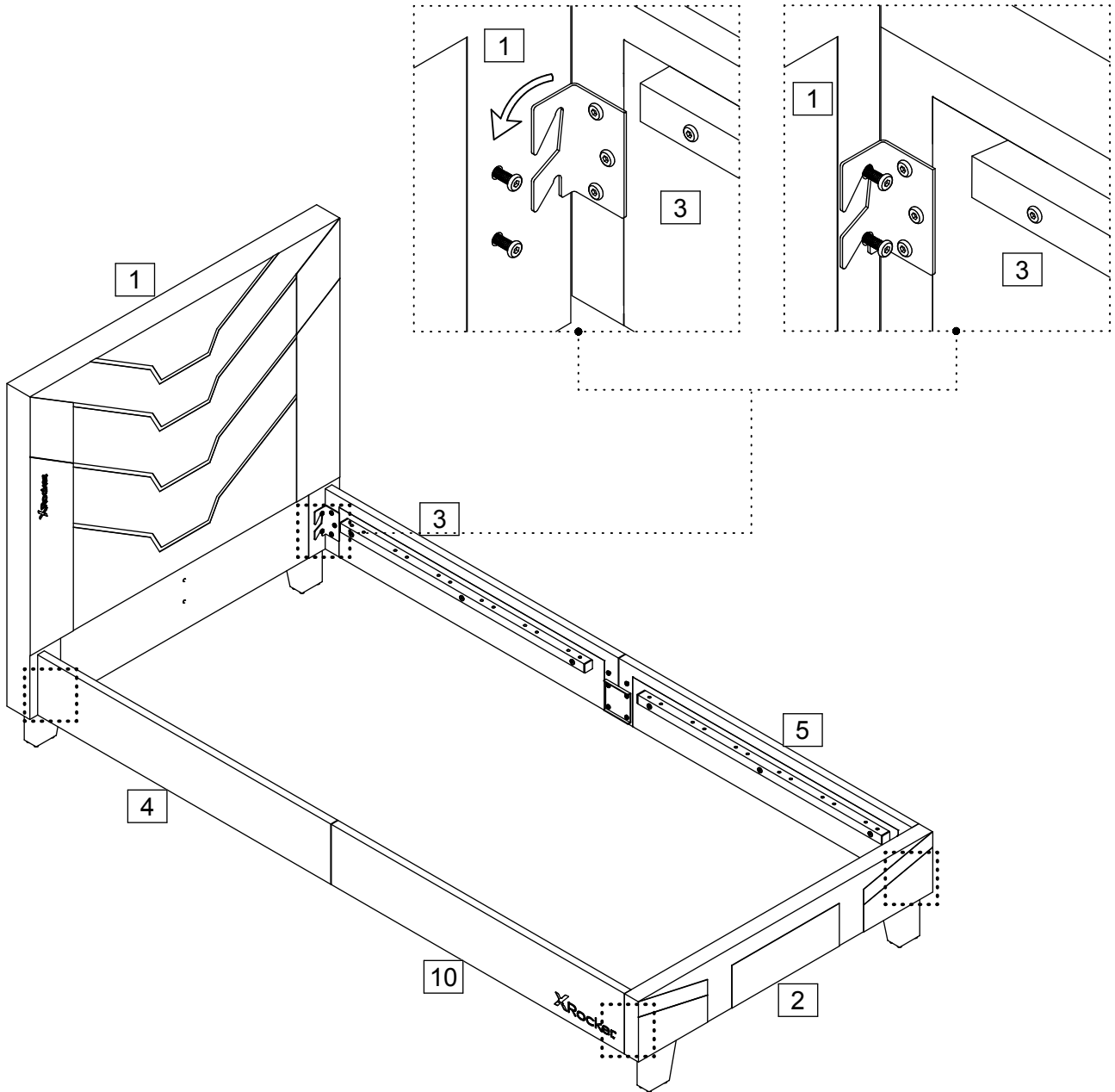
X12  
10

# 6

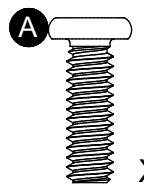
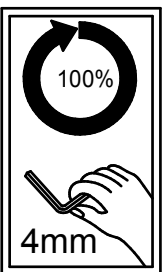
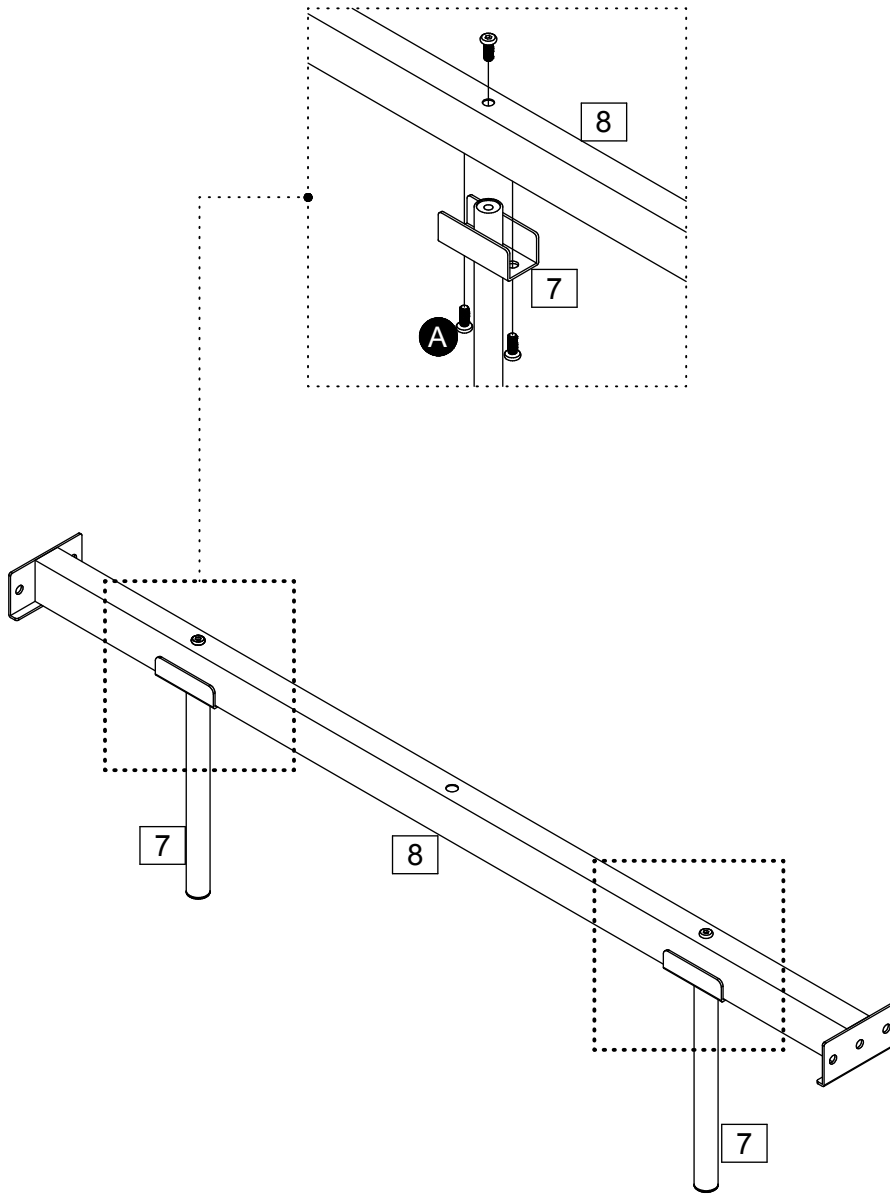


X12

# 7

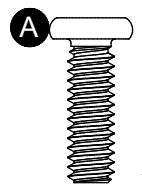
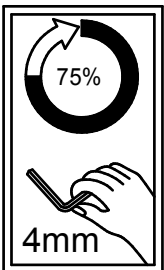
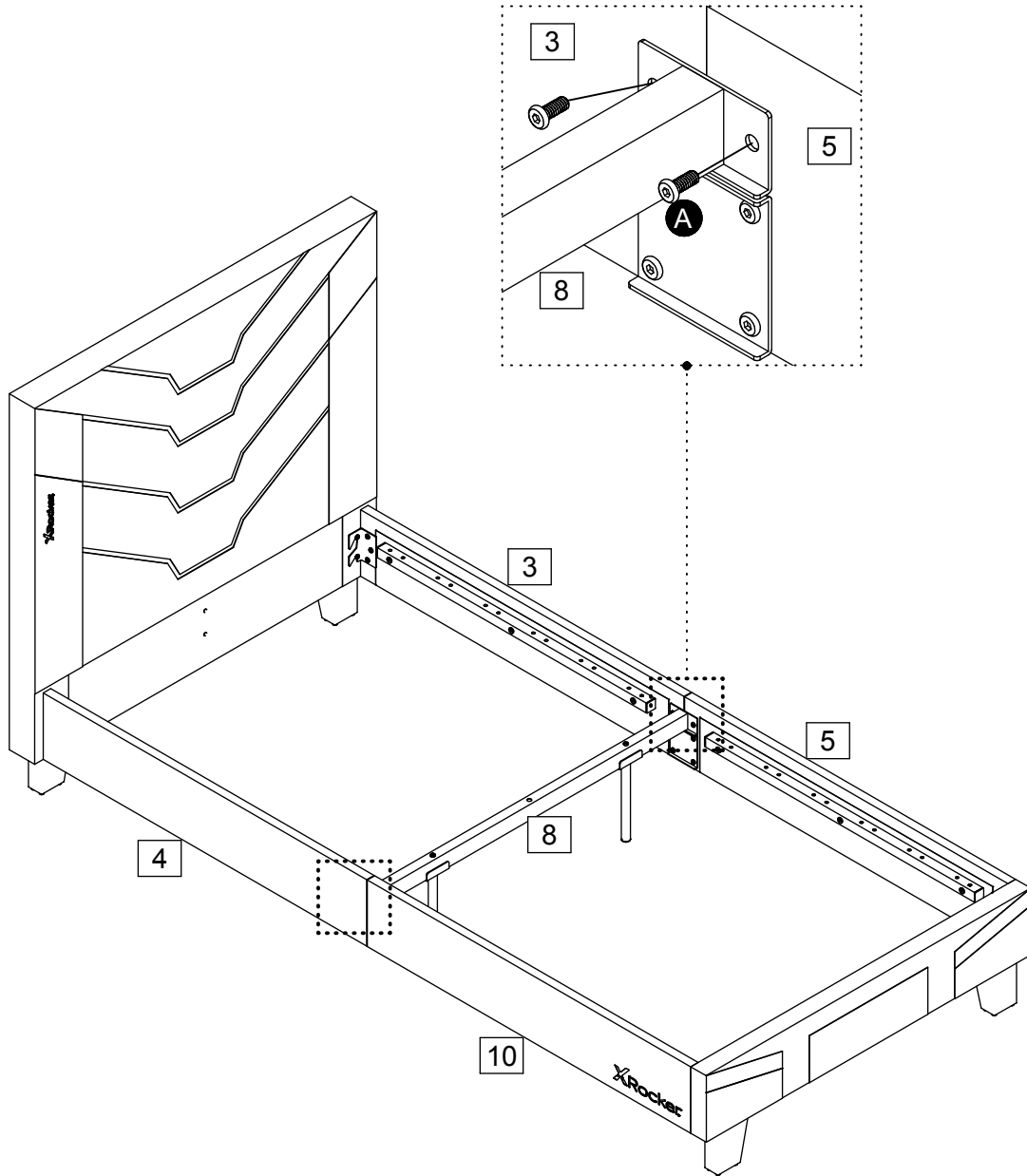


# 8



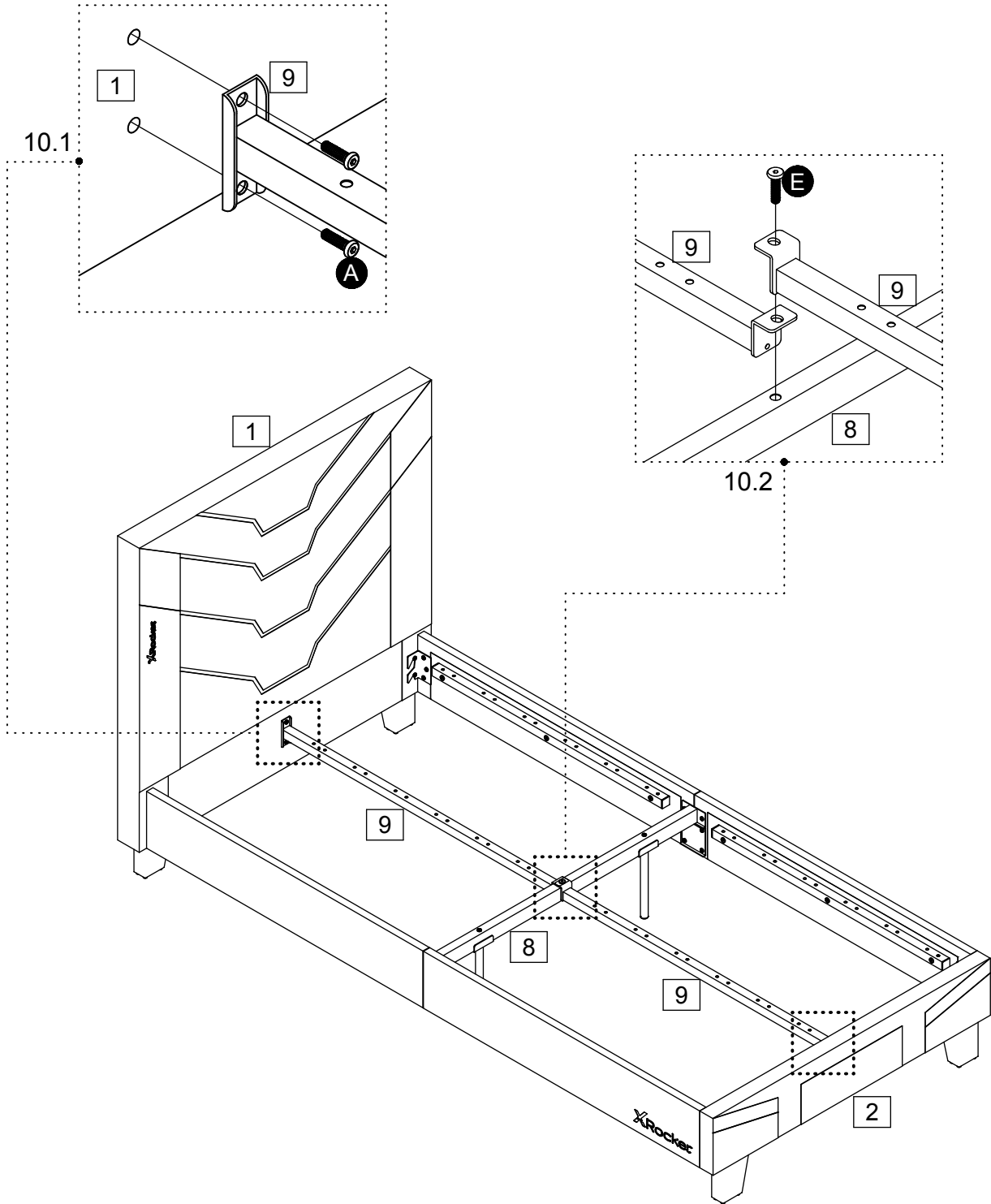
X6  
13

# 9

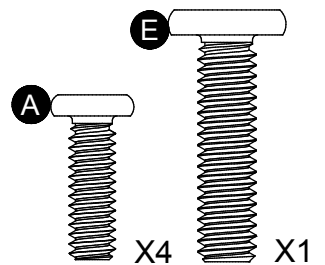
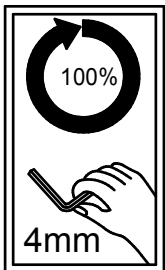


X4  
14

# 10



Then properly tighten all the bolts.



# 11

