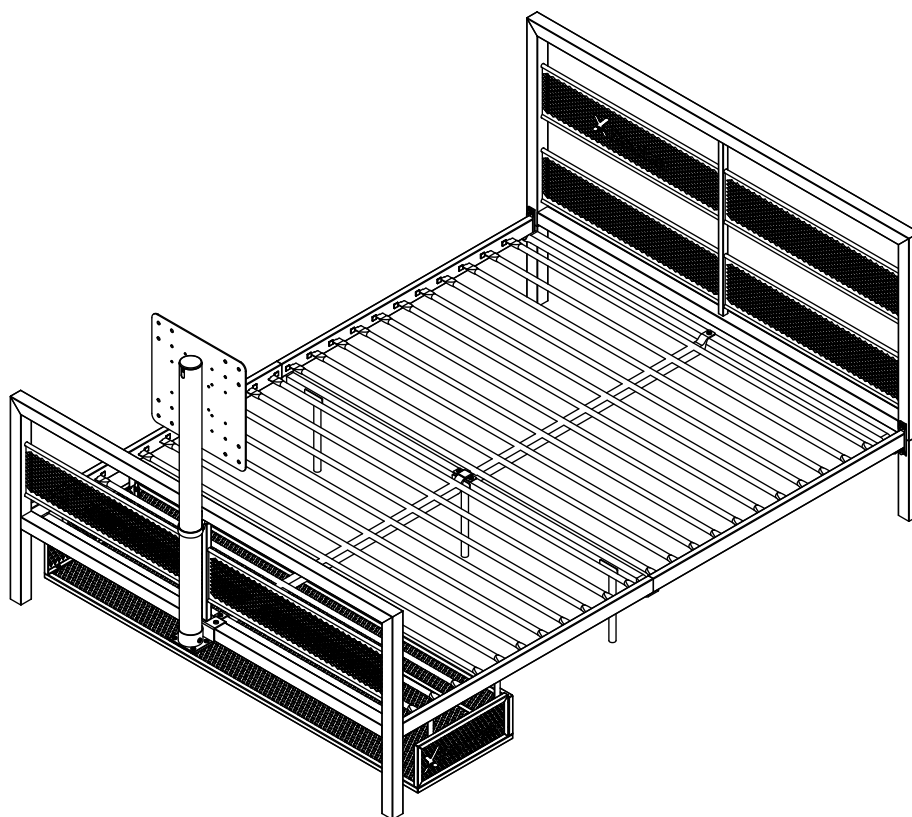


BASE CAMP TV DOUBLE GAMING BED

IMPORTANT - READ CAREFULLY - RETAIN FOR FUTURE REFERENCE

XRocker.



Dimensions

Width - 205cm

Depth - 143cm

Height - 121cm

Need Help ? Contact X Rocker at :
www.xrockeruk.com/pages/support

IMPORTANT: You must keep your original retail receipt as proof of purchase.



Safety and Care Advice

Important - Please read these instructions fully before starting assembly

- Check you have all the components and tools listed on the following pages. Remove all fittings from the plastic bags and separate them into their groups.
- Keep children and animals away from the work area. Small parts may cause a choking hazard.
- Never allow anyone to sit on the foot end of the bed. Keep children well away from moving parts. If you have young children in the home, always disconnect the power at the wall socket for extra safety.
- Never touch moving parts or any part of the equipment whilst in use - if something needs to be checked, disconnect the power first. The socket providing the power must be accessible at all times in case you need to switch off the power quickly.
- Dispose of all packaging carefully and responsibly.
- Place the product on flat and steady surface during use.
- All approved mains powered extension leads, used to power the equipment, must not be placed where they can be walked on - this is dangerous and could lead to accidents.
- Do not expose the bed to an undue level of heat - keep away from radiators.
- Do not place any vessel containing liquids on the TV footboard or TV itself which may accidentally spill and cause damage to your bed, the TV, the TV mount or your console.
- Assemble on a soft level surface to avoid damaging the unit or your floor.
- Keep these instructions for further use.

Care and maintenance

- Only clean using a damp cloth and mild detergent, do not use bleach or abrasive cleaners.
- Regularly check and ensure that all bolts and fittings are tightened properly.

Handy Hints

- To ensure an easier assembly we strongly advise that all fittings are only finger tightened during initial assembly. Only upon completion of the assembly should all fixing points be fully tightened.
- Make sure you have enough space to layout the parts before starting.
- Assemble the item as close to its final position (in the same room) as possible.
- Parts of the assembly will be easier with 2 people.



Safety and Care Advice

Warning

- This bed with TV Mount is intended for household use. It's intended for use only with flat panel TV's equipment meeting recommended size and weight limits. Use with other equipment or equipment heavier than the maximum weights indicated may result in instability causing possible injury.

Fits up to most 60" Flat Panel TVs
Maximum load 88 lbs (40 kg)

Bracket match VESA standard (mm):

75x75 (M4)

100x100 (M4)

100x200 (M4)

200x100 (M4)

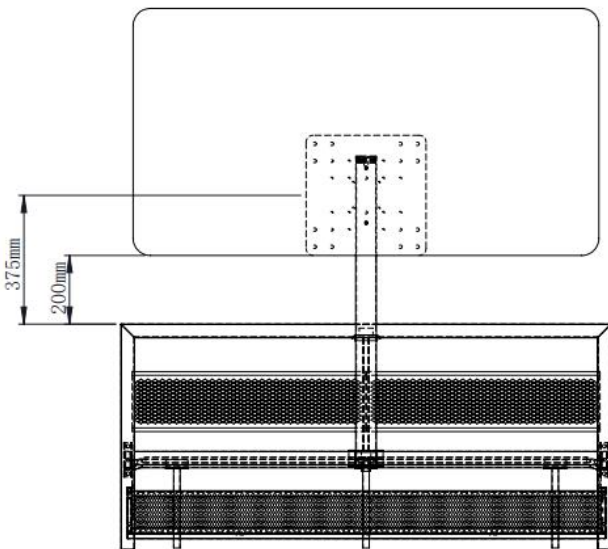
200x200 (M6)

200x300 (M8)

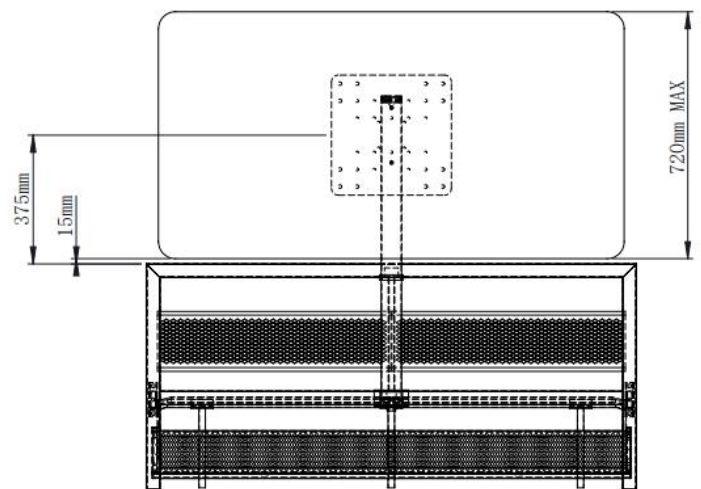
300x200 (M8)

300x300 (M8)

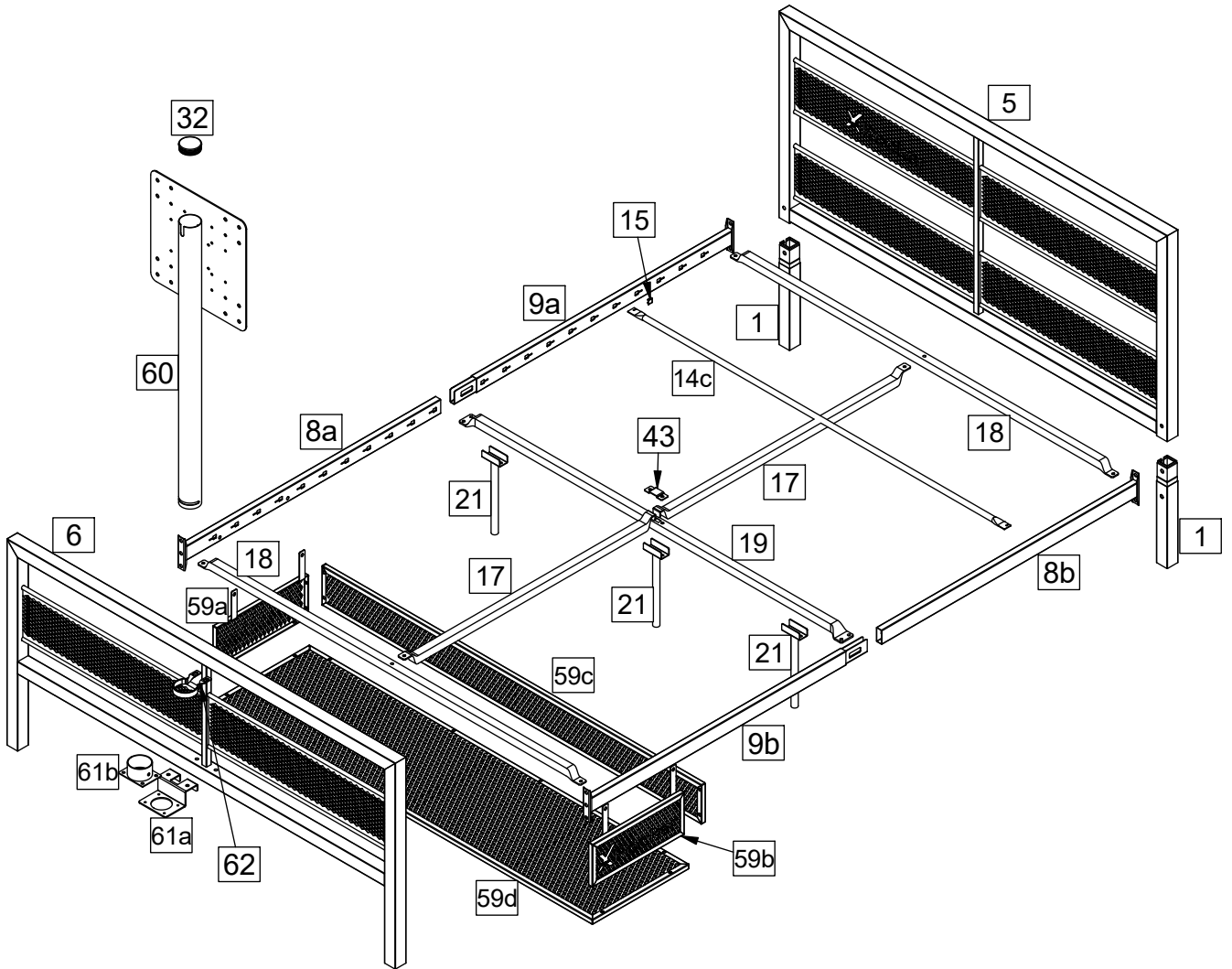
VESA in lower position



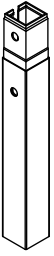
Central Vesa mount



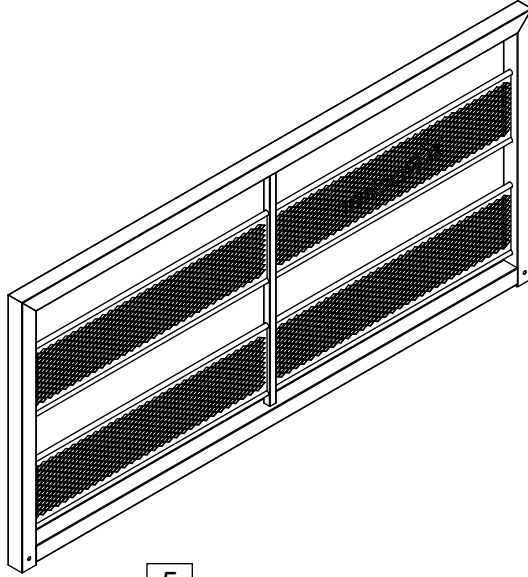
PARTS



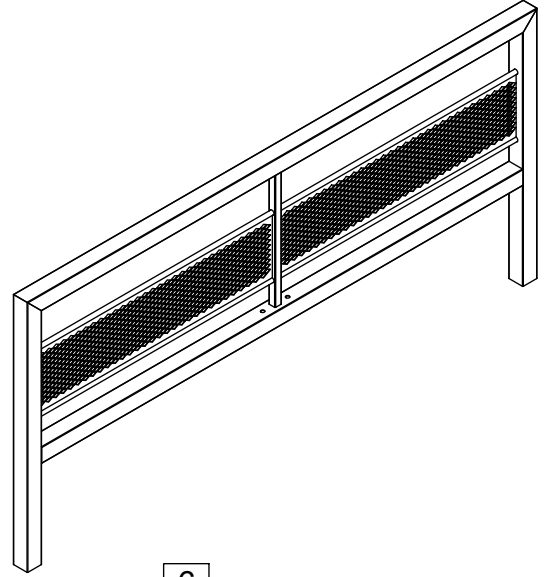
Panels



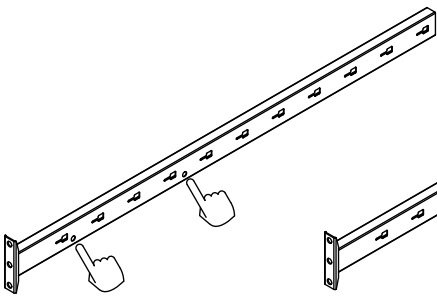
1 Post X 2



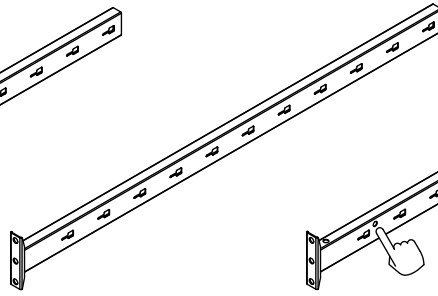
5 Headboard X 1



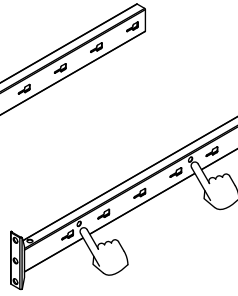
6 Footboard X 1



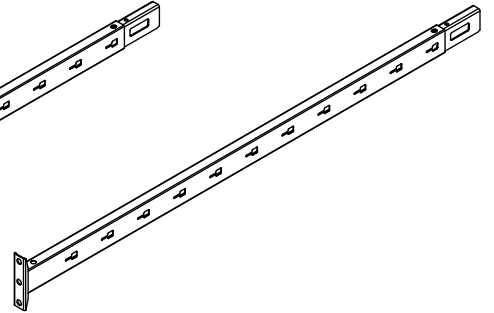
8a Side Rail 01 X 1



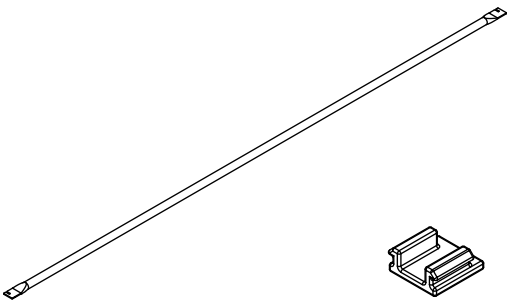
8b Side Rail 02 X 1



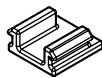
9b Side Rail 03 X 1



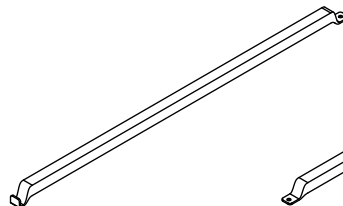
9a Side Rail 04 X 1



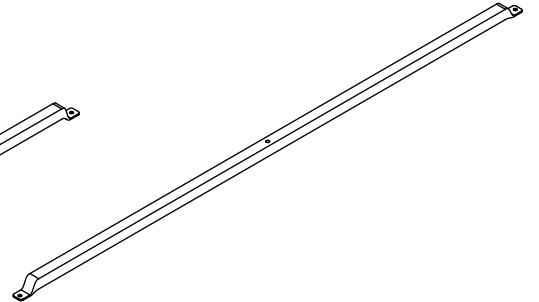
14c Slats X 22



15 Plastic Plug X 44

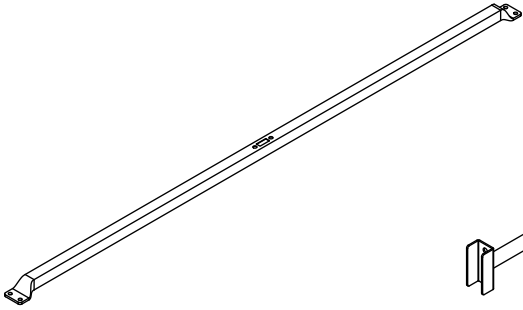


17 Brace 01 X 2

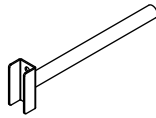


18 Brace 02 X 2

Panels



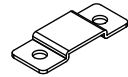
19 Brace 03 X 1



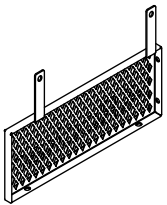
21 Leg X 3



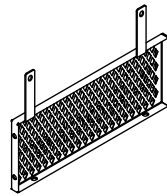
32 Cap X 1



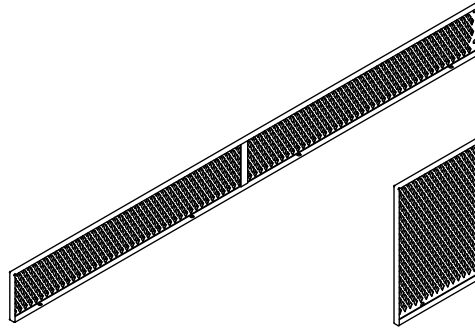
43 Bracket X 1



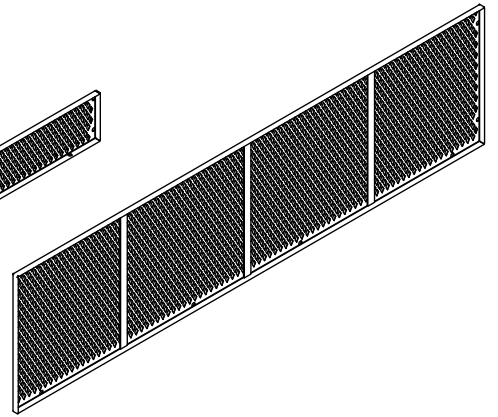
59a Left Mesh Shelf X 1



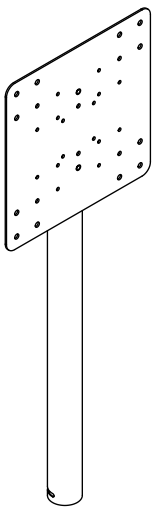
59b Right Mesh Shelf X 1



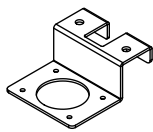
59c Rear Mesh Shelf X 1



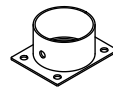
59d Bottom Shelf X 1



60 TV mount X 1



61a Mounting Seat X 1

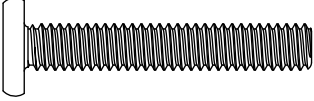
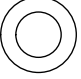
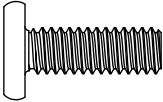
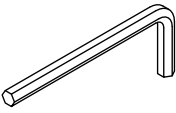
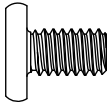
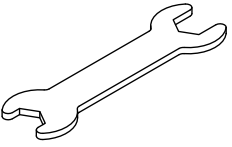
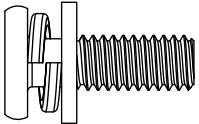
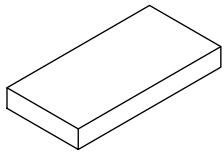
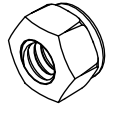
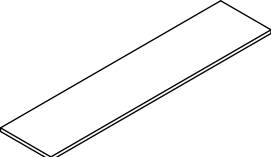
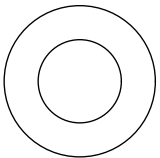


61b Mounting Sleeve X 1

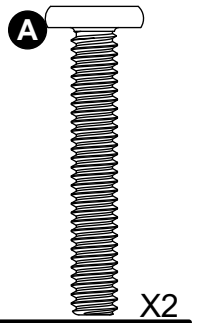
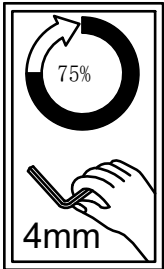
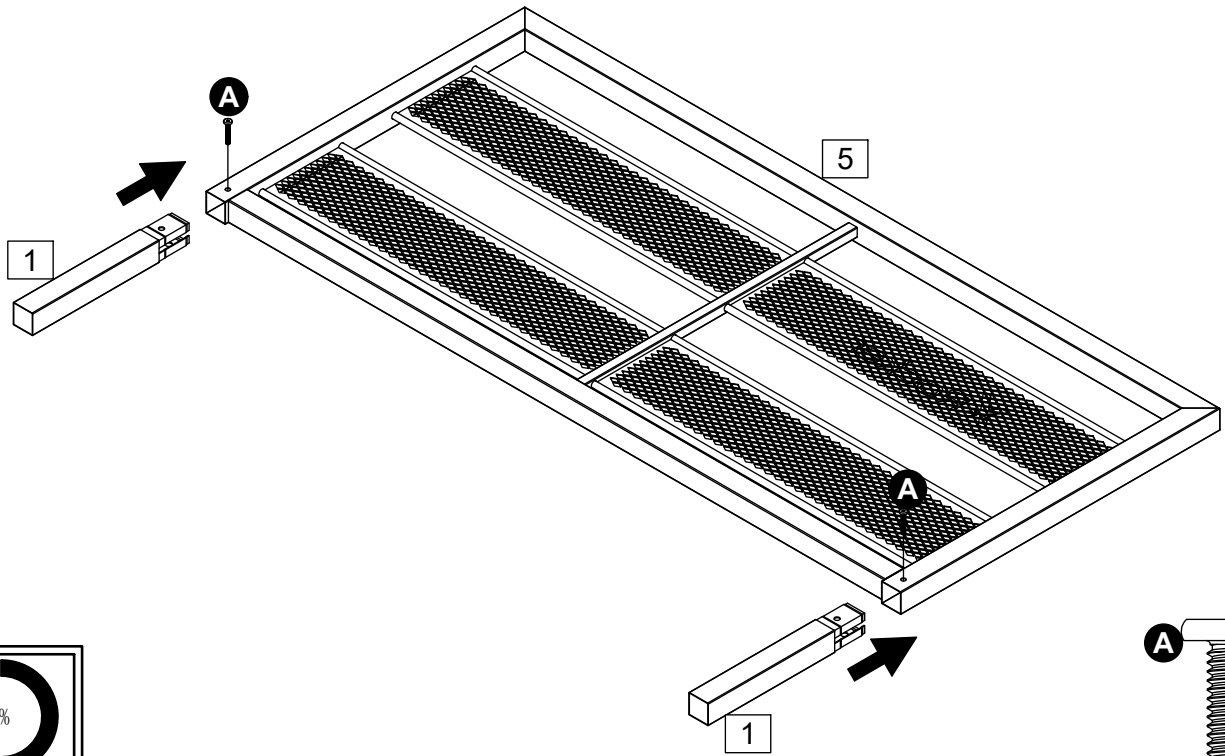


62 Buckle X 1

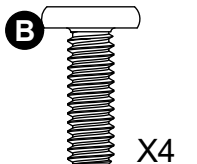
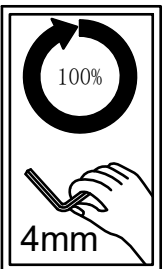
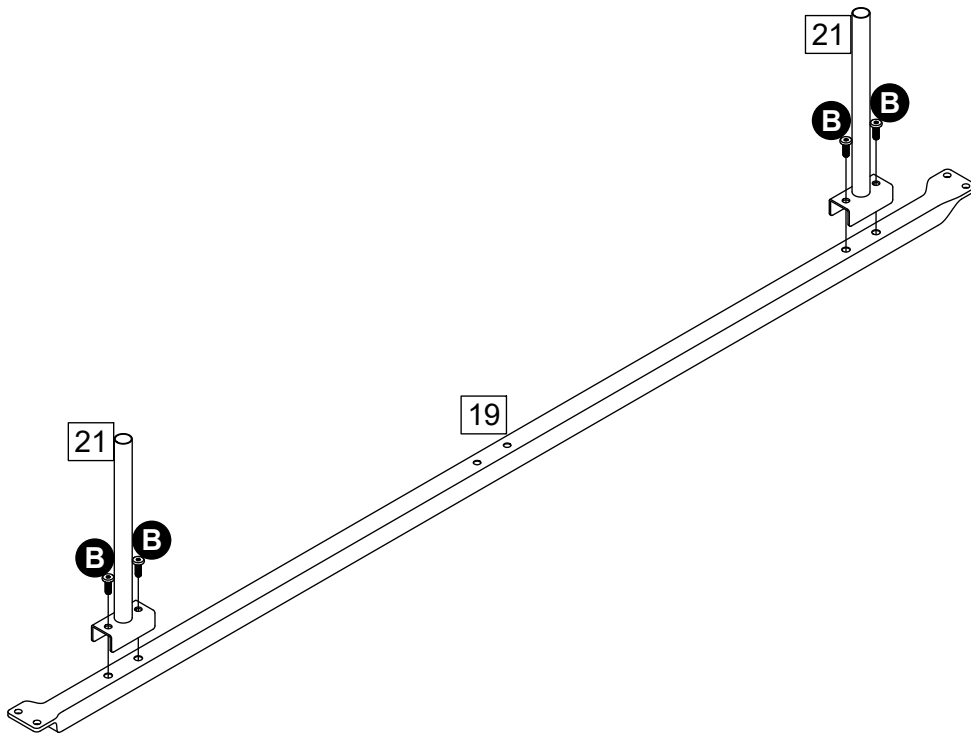
Fittings

<p>A</p>  <p>38mm M6 Bolt x 6</p>	<p>G</p>  <p>M4 Metal washer x 4</p>
<p>B</p>  <p>18mm M6 Bolt x 29</p>	<p>H</p>  <p>Allen Key x 1</p>
<p>C</p>  <p>10mm M6 Bolt x 4</p>	<p>I</p>  <p>Wrench x 1</p>
<p>D</p>  <p>22mm M8 3 in 1 Bolt x 8</p>	<p>J</p>  <p>EVA 01 x 1</p>
<p>E</p>  <p>Nut M6 x 5</p>	<p>K</p>  <p>EVA 02 x 1</p>
<p>F</p>  <p>M8 Plastic washer x 8</p>	

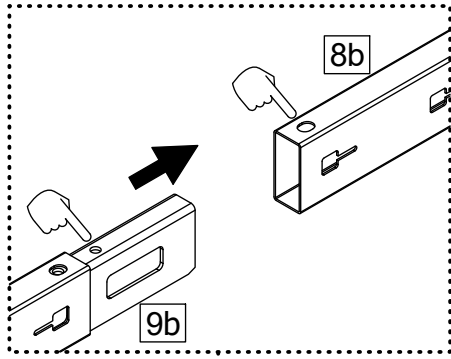
1



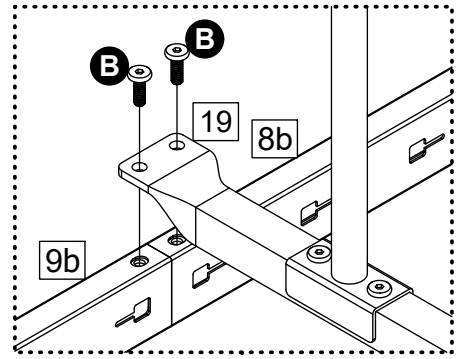
2



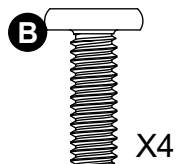
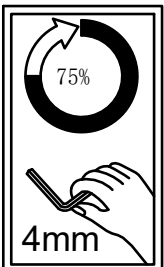
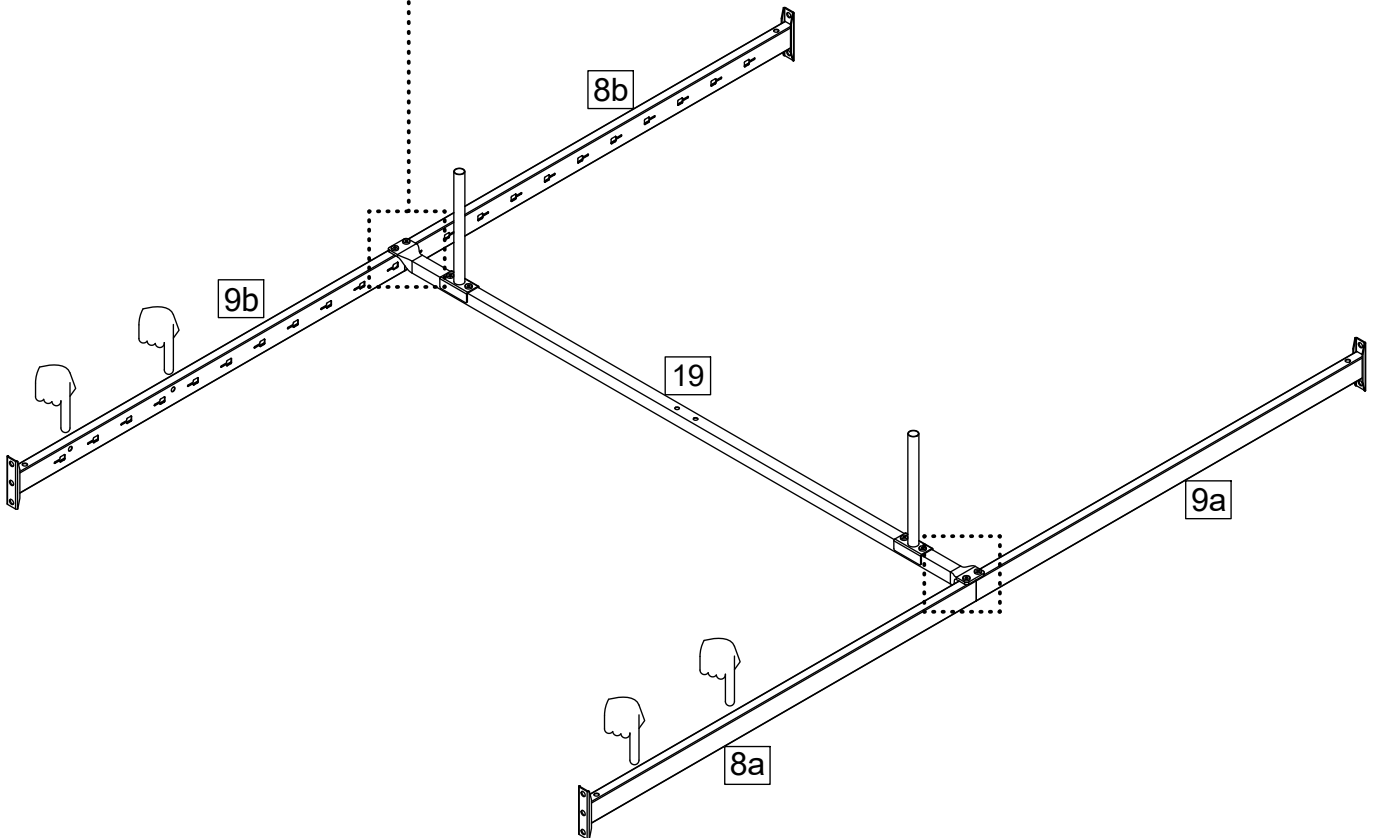
3



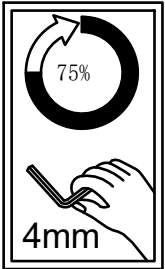
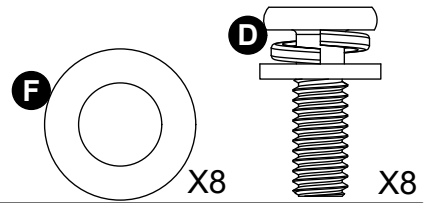
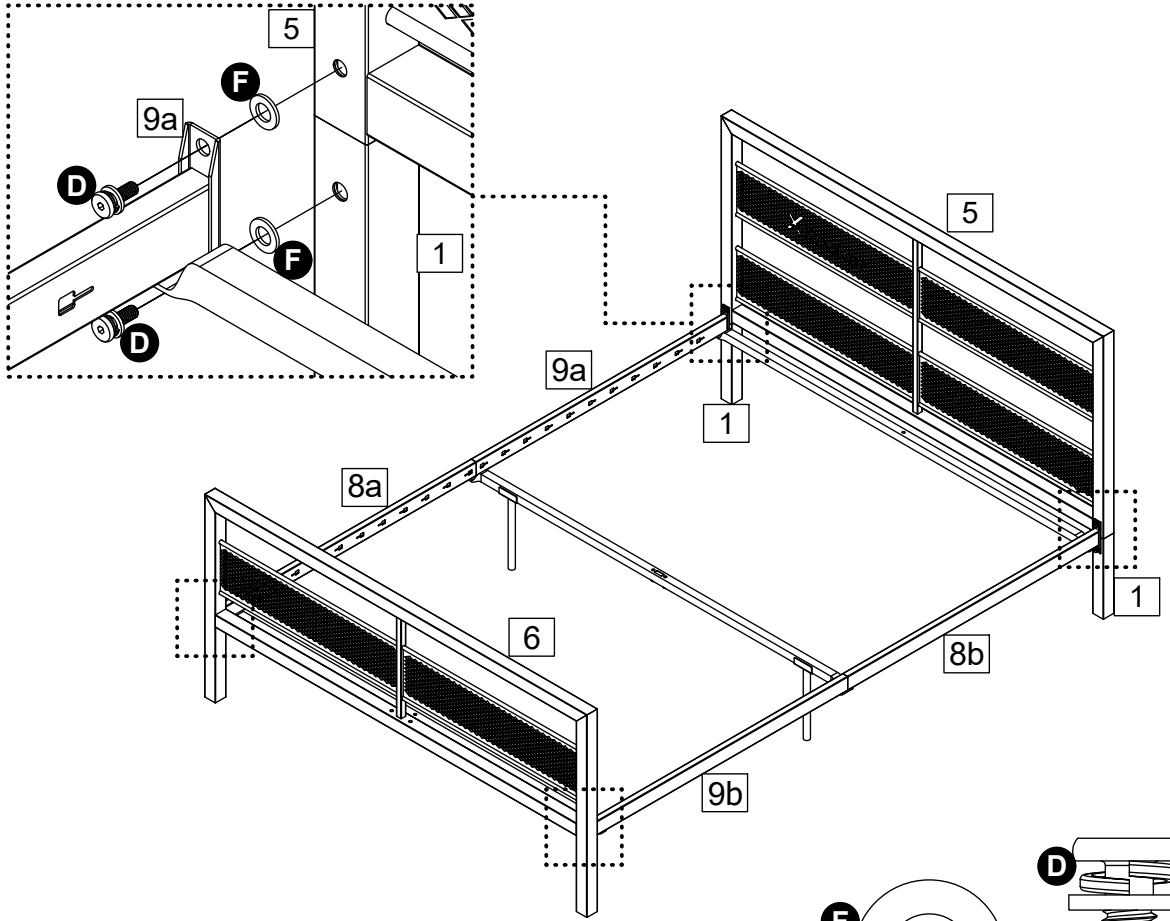
3.1



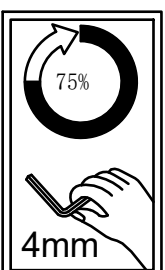
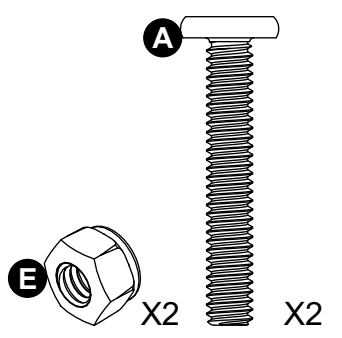
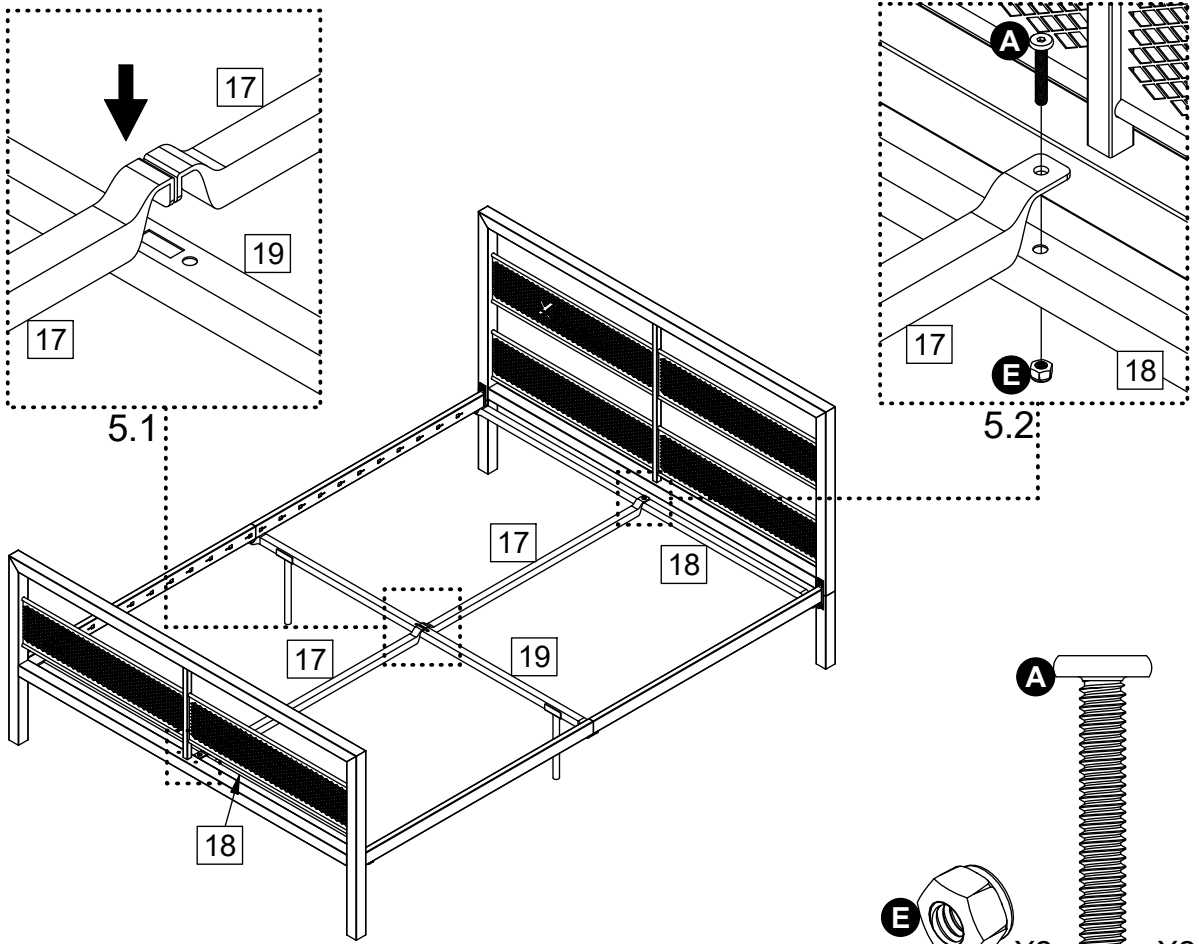
3.2



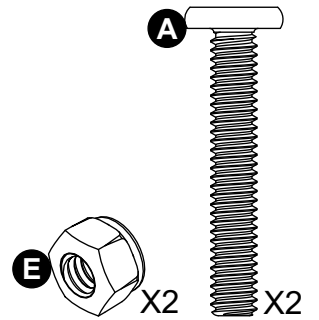
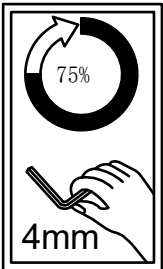
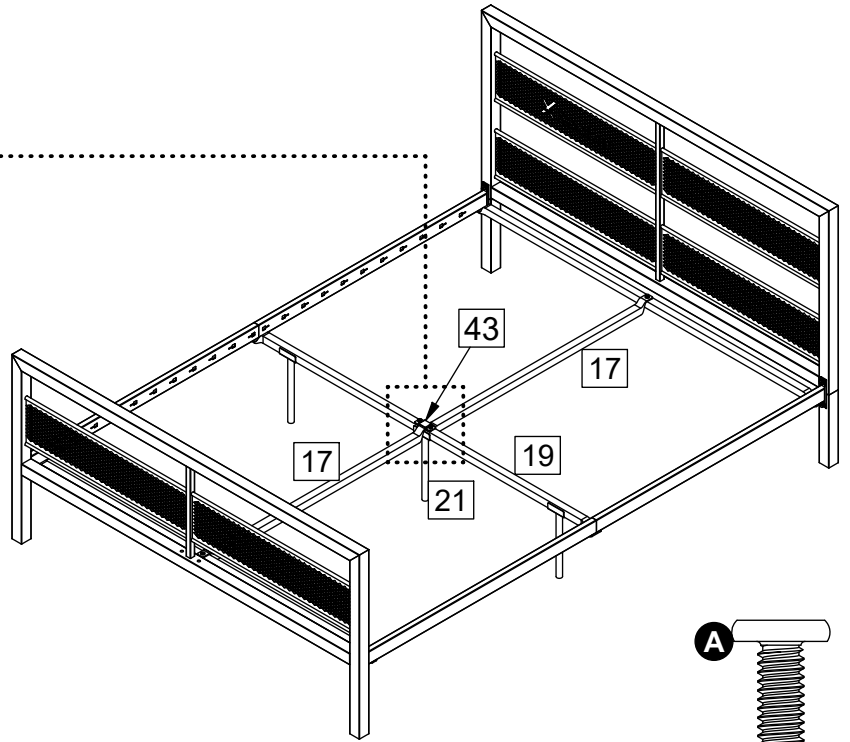
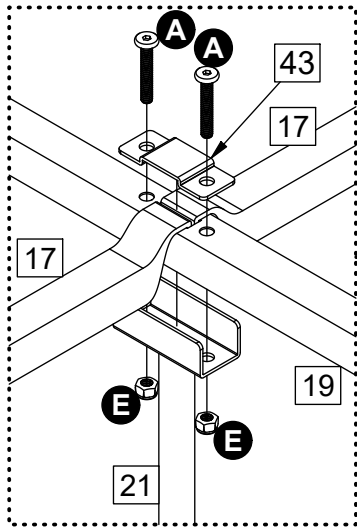
4



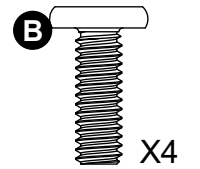
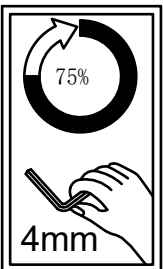
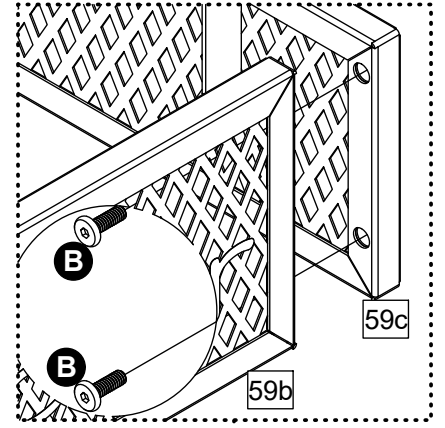
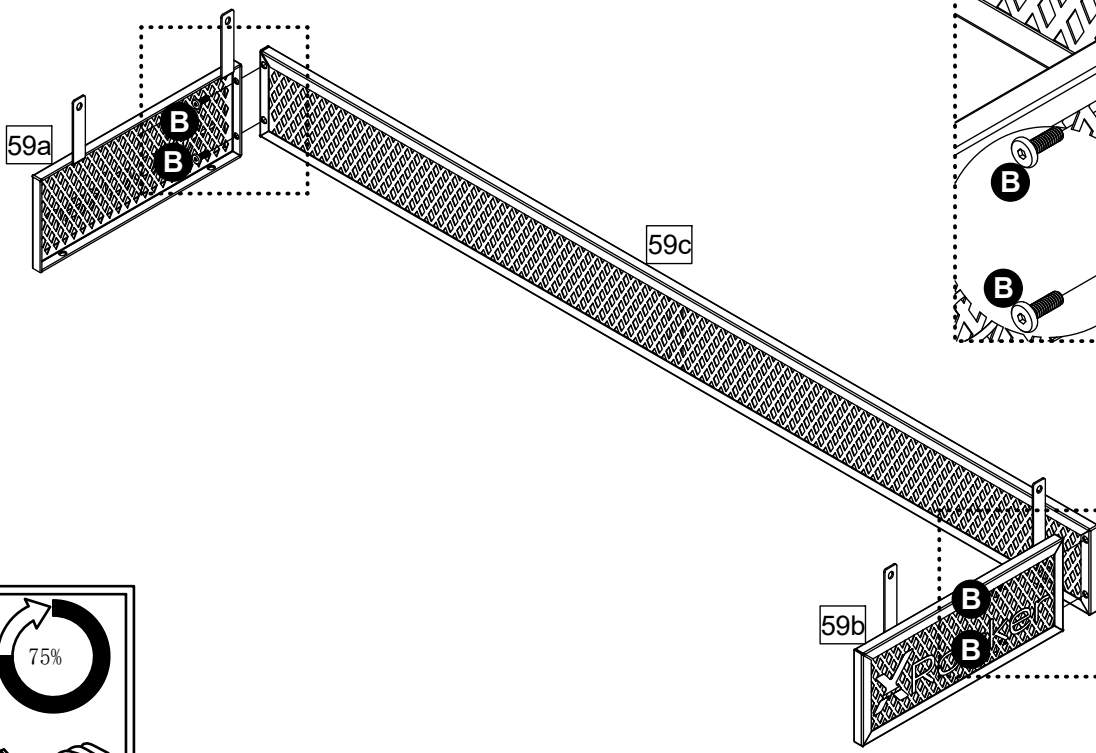
5



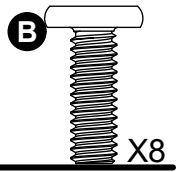
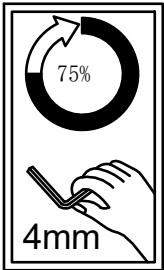
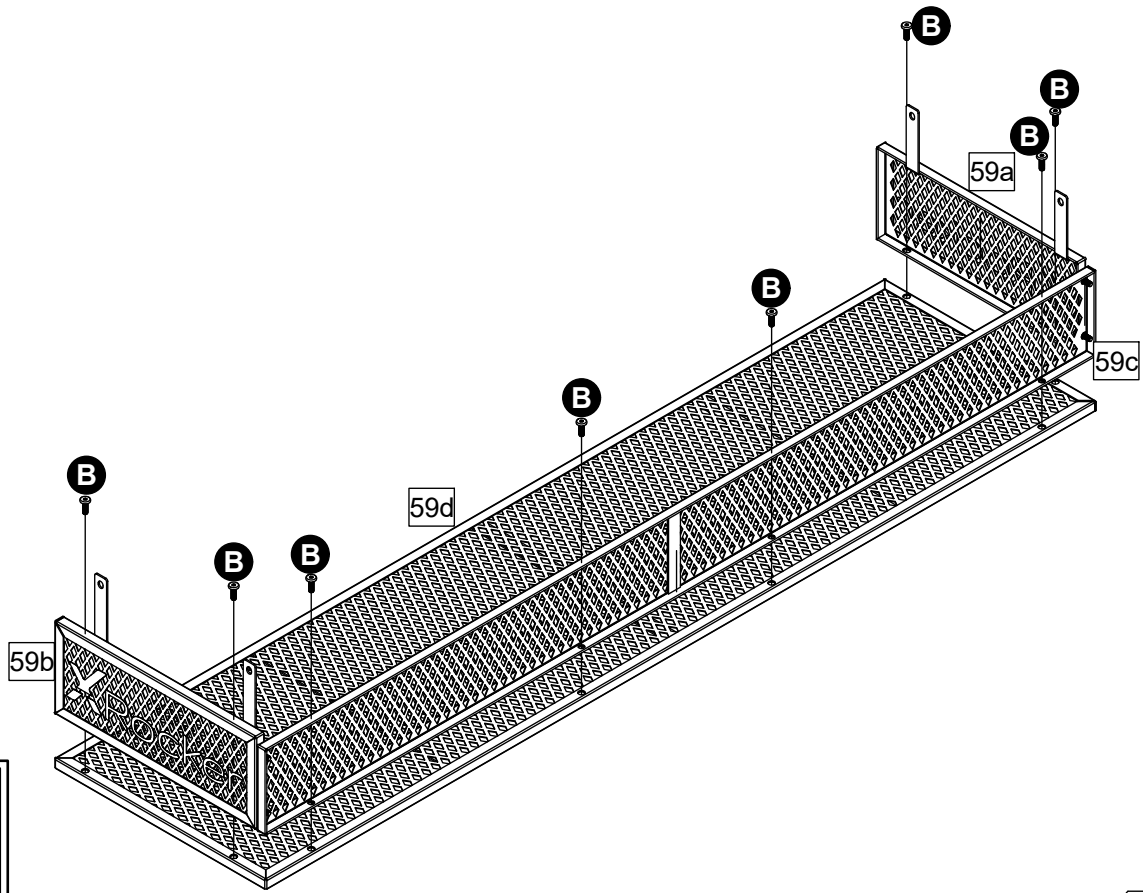
6



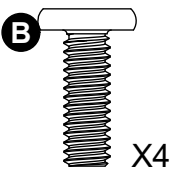
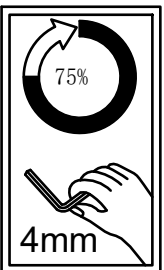
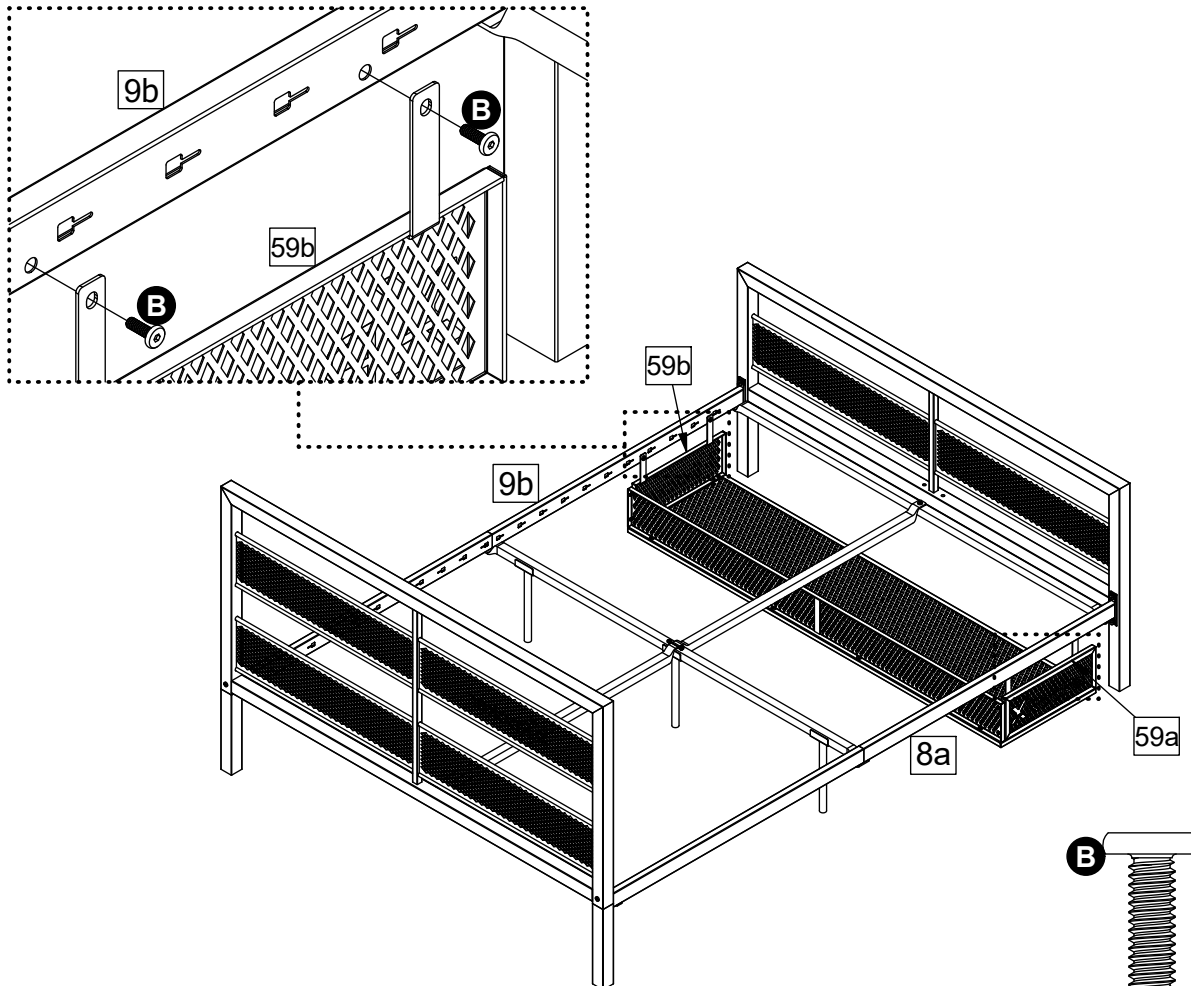
7



8

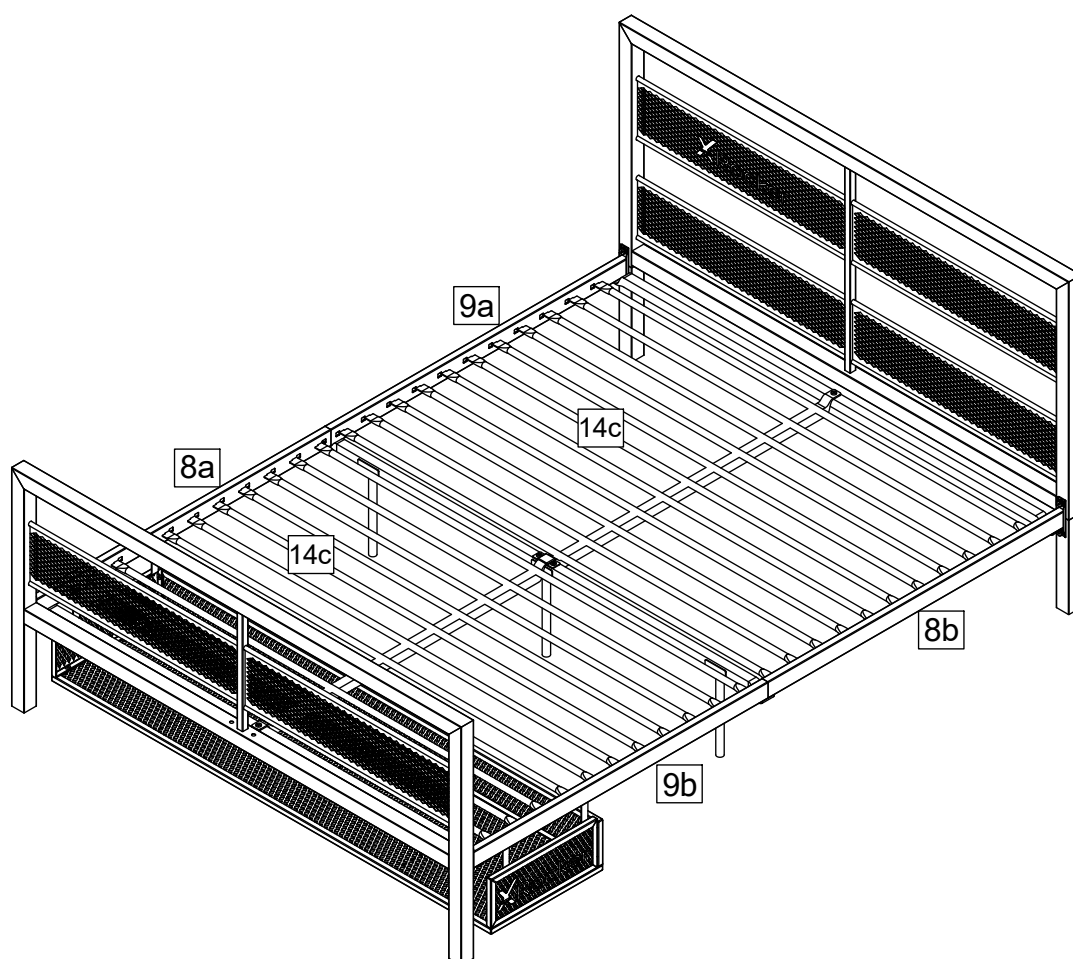
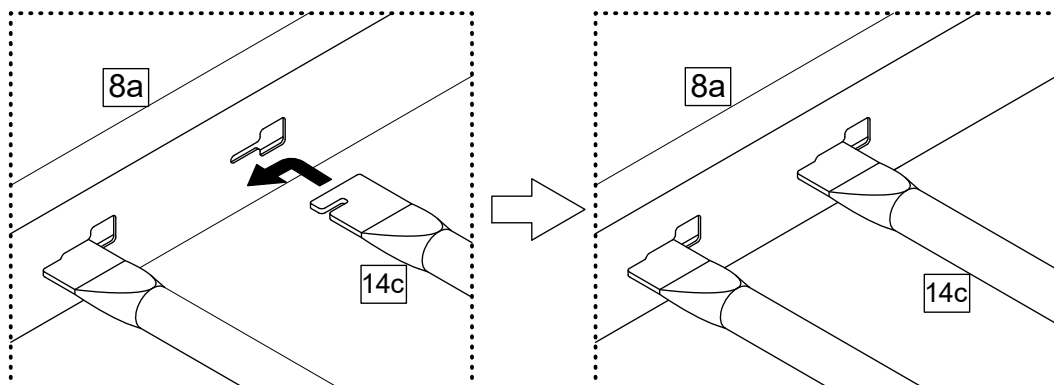


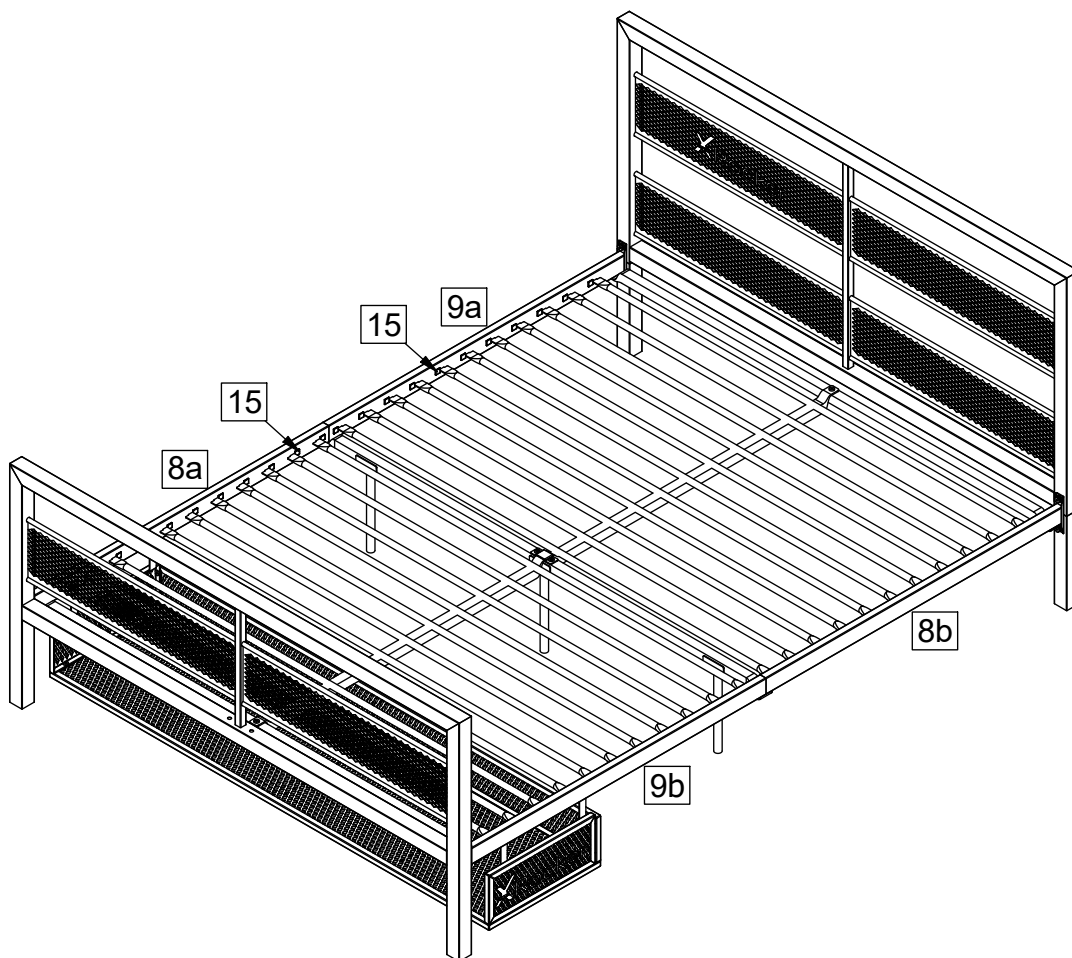
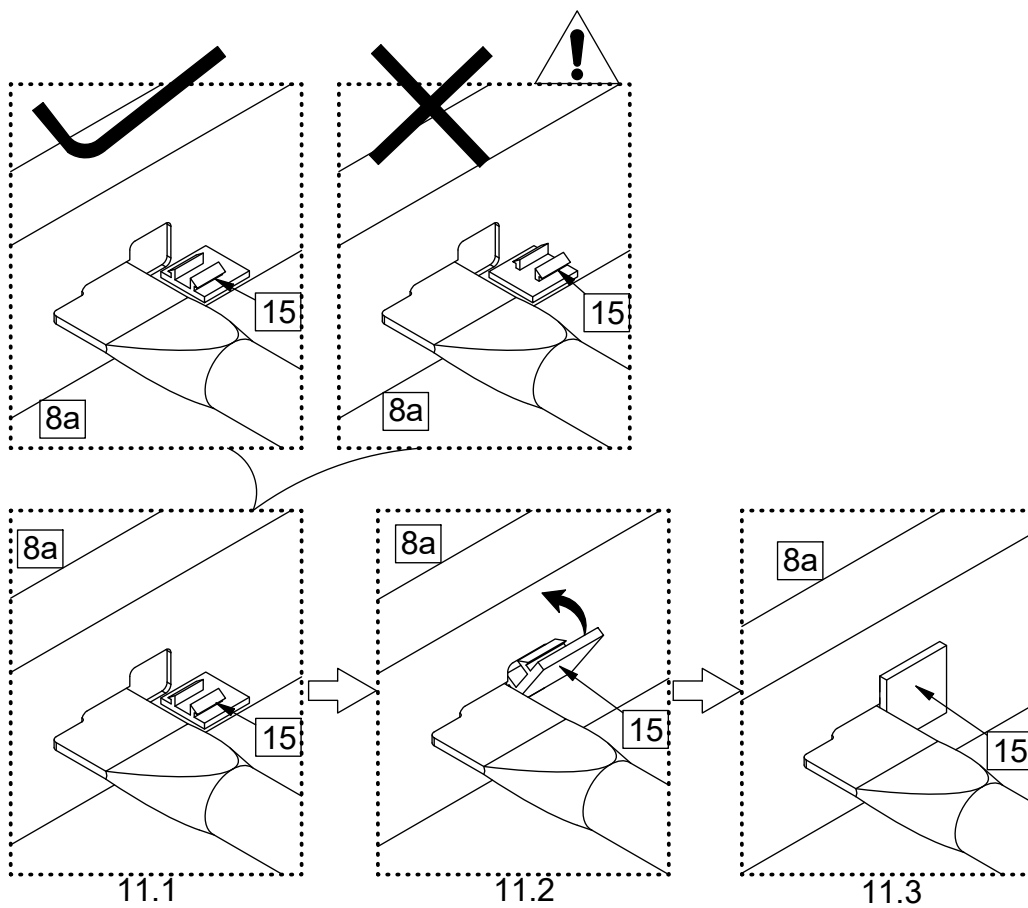
9



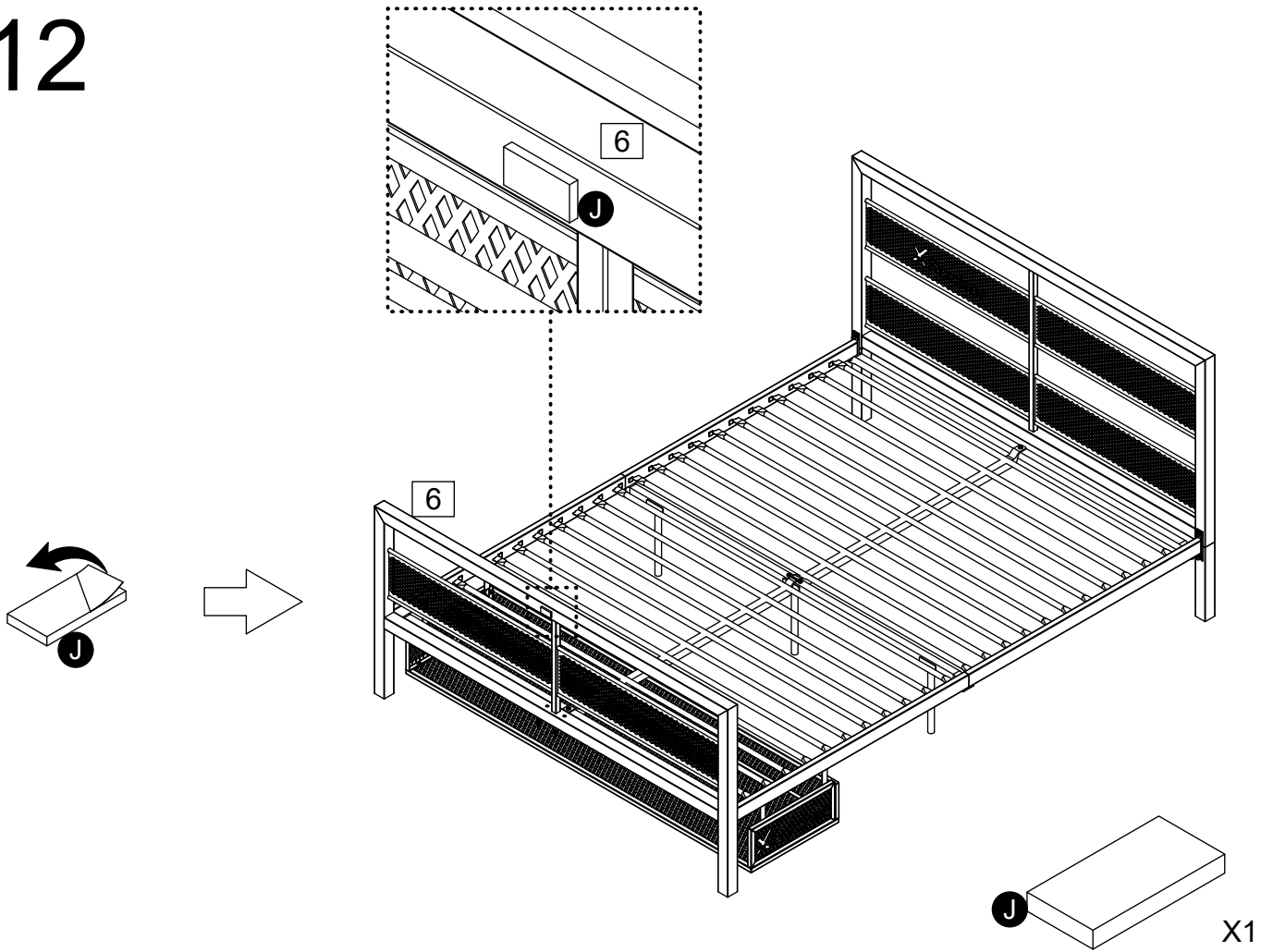
12

10



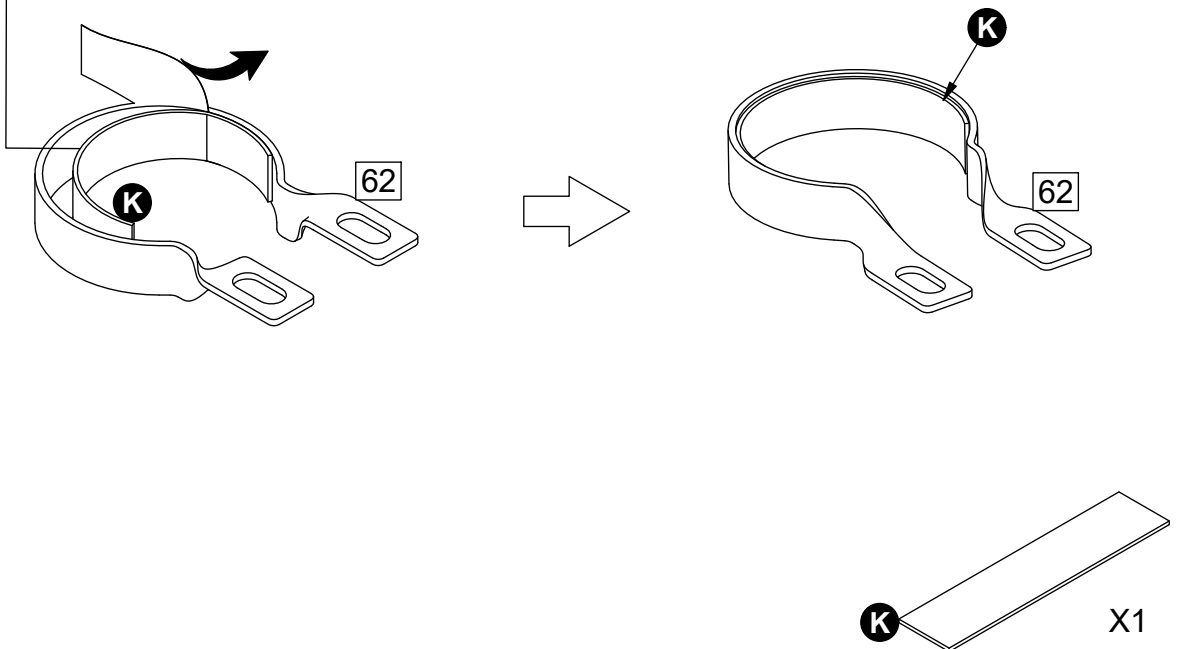


12

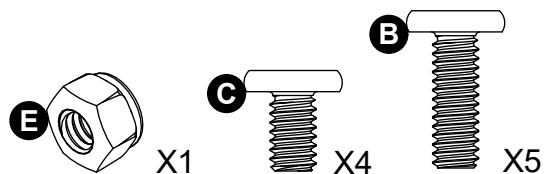
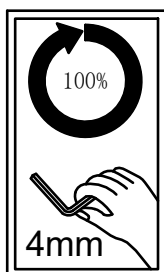
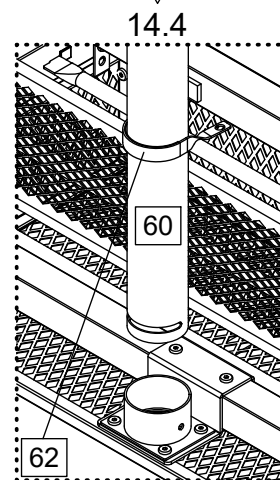
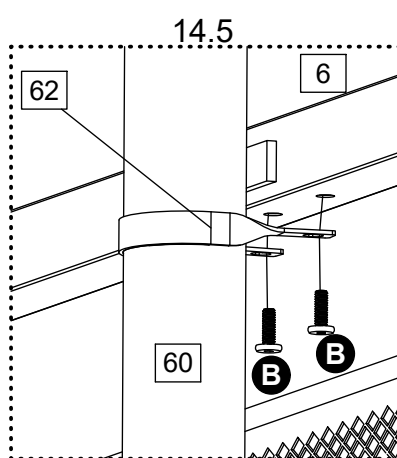
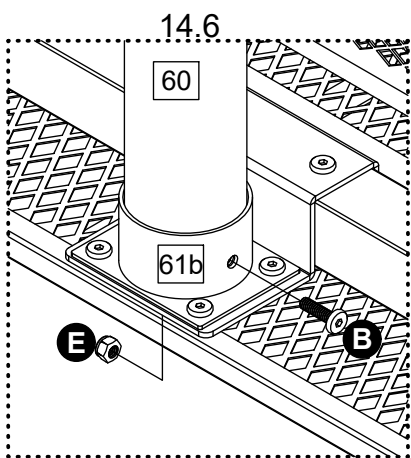
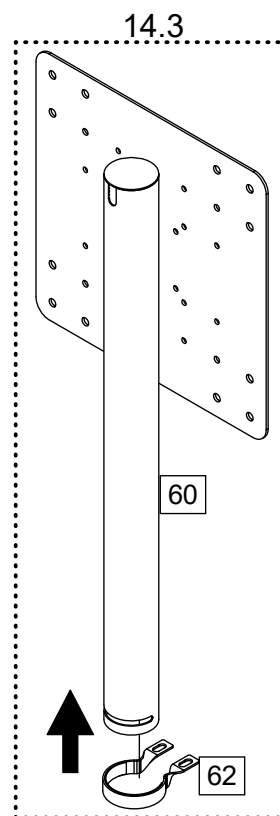
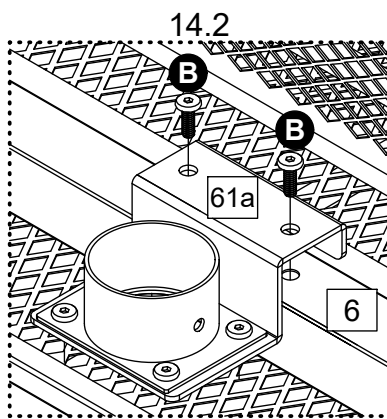
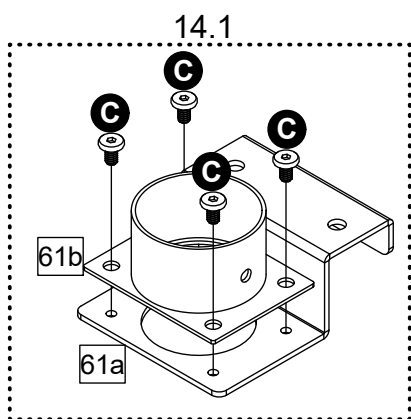
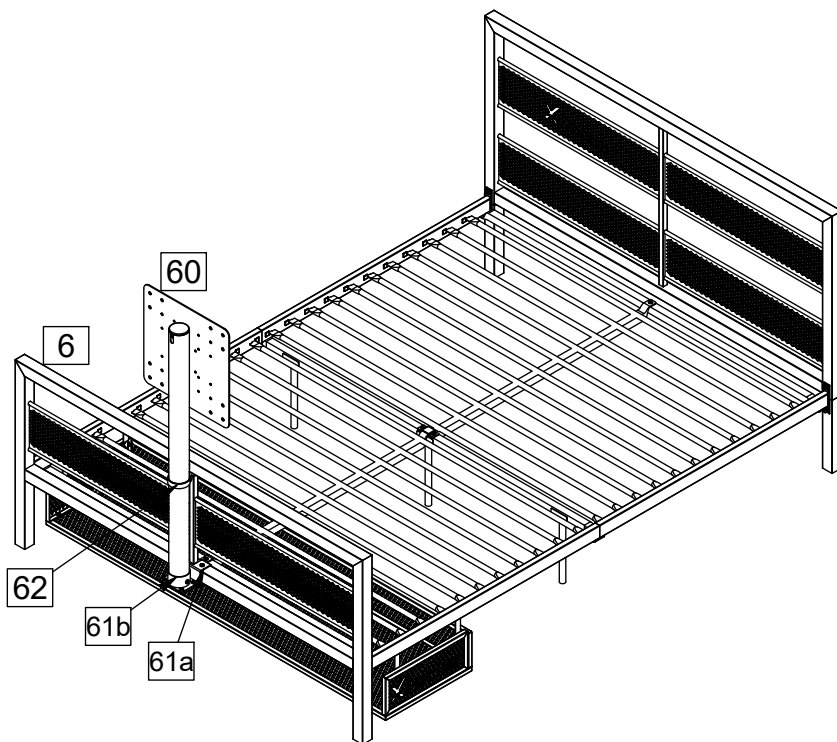


13

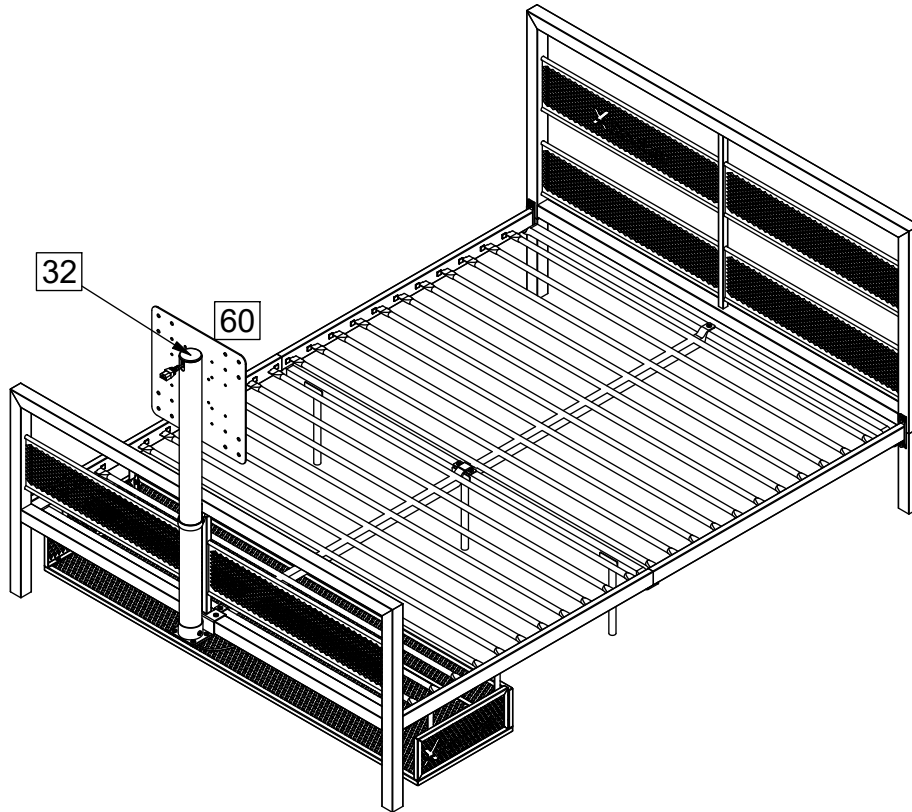
at the middle inside
of buckle.



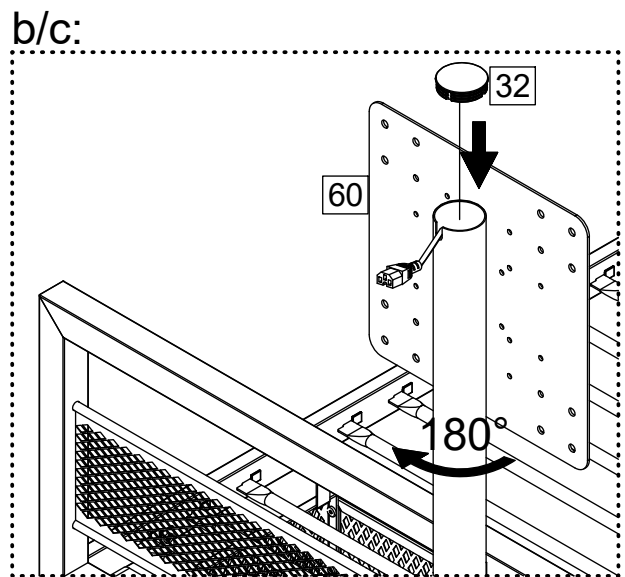
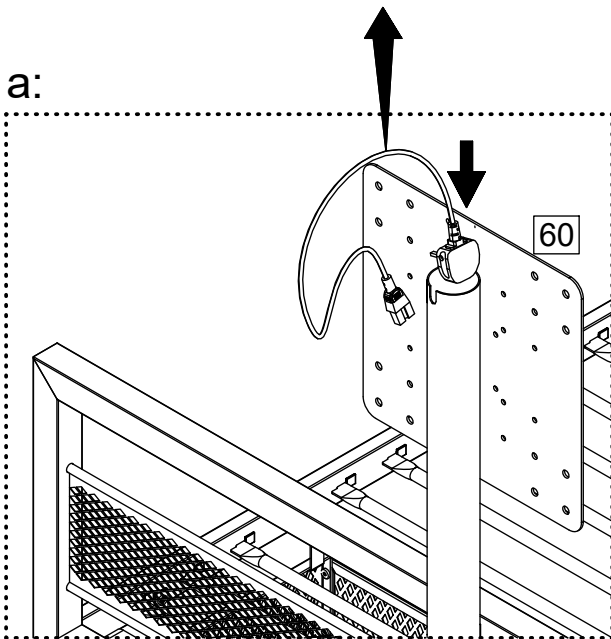
14



15



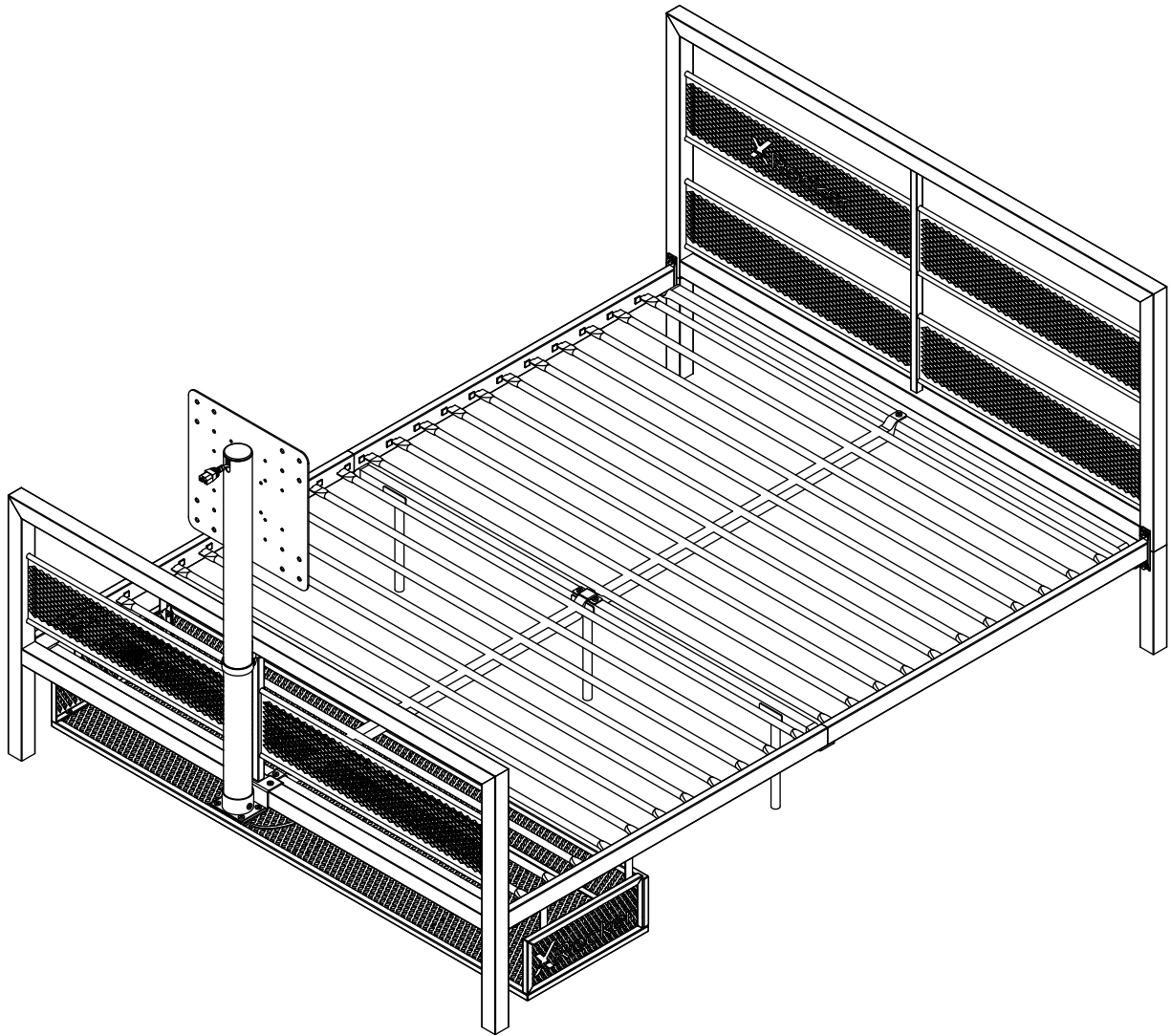
Not provided



Note 1: The TV mount mates with M6 screw. If you're using M4 screw to assemble the TV screen, please use part G washer as provided to make sure M4 screw could be also workable for it.

Note 2: If the TV pole can't be rotated freely, please loosen Screw **B** in step 13 (13.6) a little. Do not 100% tighten it.

16



Assembly is complete

