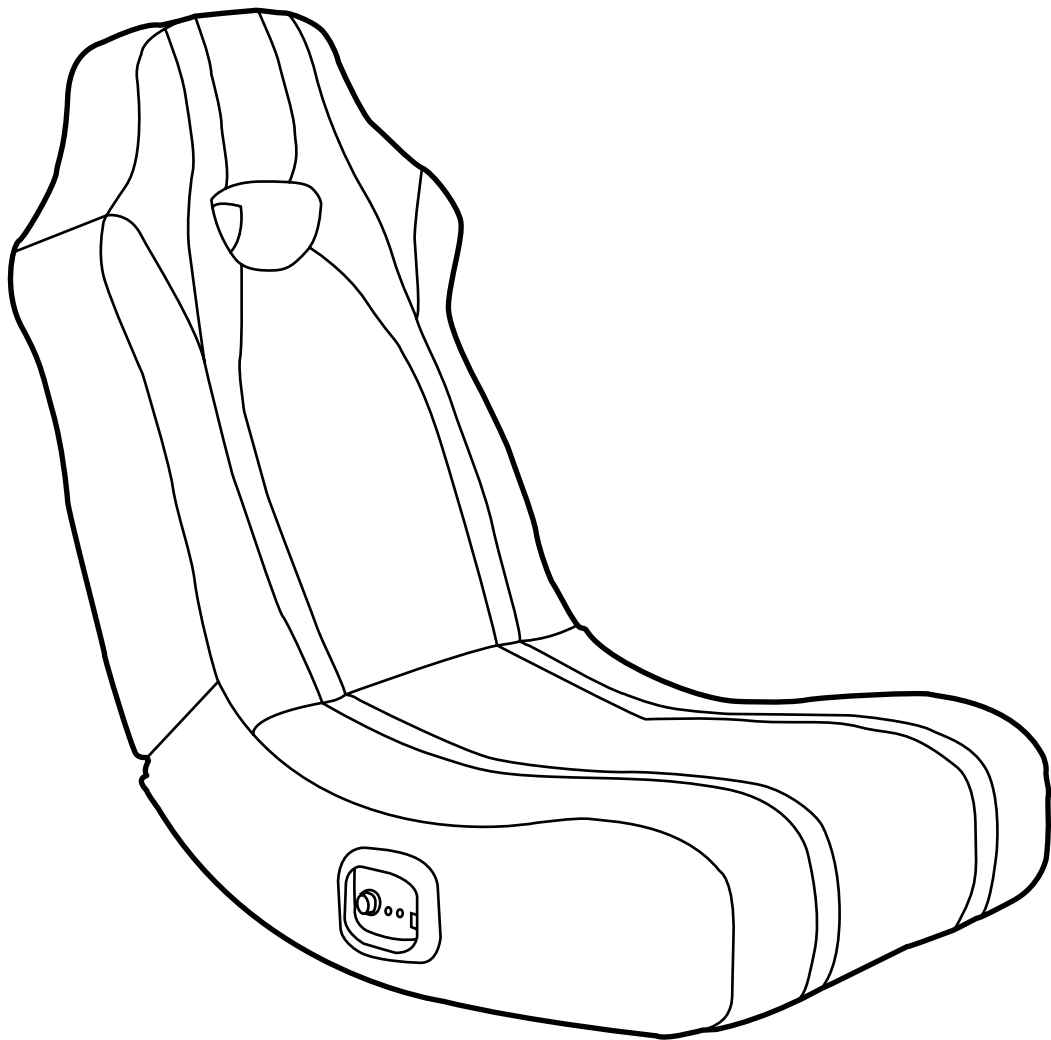


XRocker® *SPECTRE*



User Manual Item no: 5178901/5179701

Need Help? Email: Service@XRockerNation.co.uk

Phone: 01274 683 109 **www.XRockerNation.co.uk**

IMPORTANT: You must keep your original retail receipt as proof of purchase.

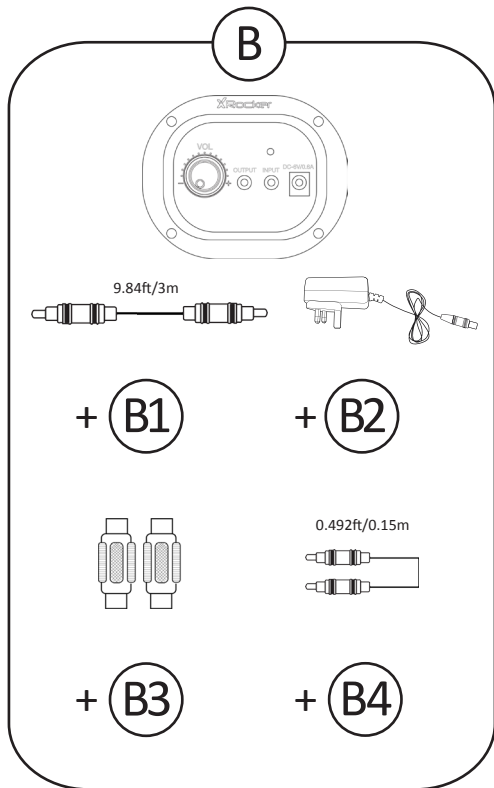
Welcome to X Rocker!

Thank you for purchasing this X Rocker gaming chair. You are now close to enhancing your favourite games with **glorious audio!**

To get started, please assemble the chair using the assembly instructions on the separate leaflet and then follow the instructions in this manual to **get rocking!**

Table of contents

- 2** Box contents and control panel overview
- 4** Wired Connection guide: TV (All consoles)
- 5** Connect by controller (PS4 only)
- 6** Troubleshooting tips
- 7** Health and safety information
- 8** Power supply safety information



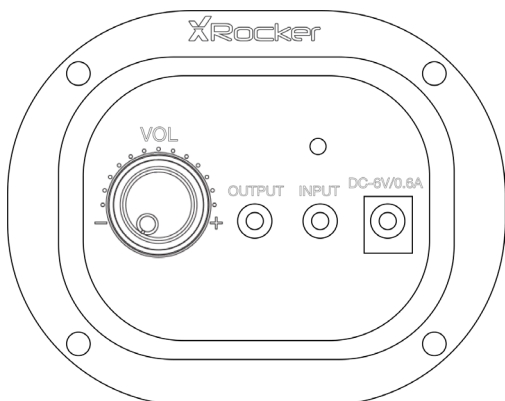
B1 - 3m RCA to RCA Audio cable

B2 - Power supply cable

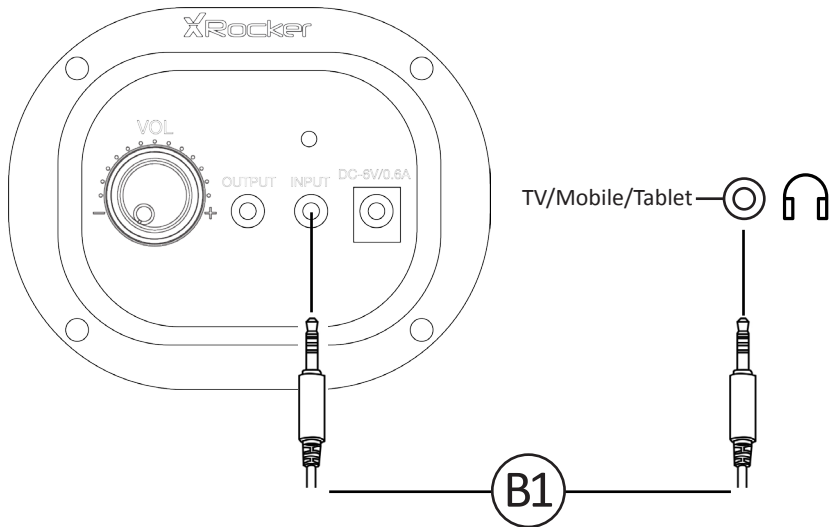
B3 - RCA female to female adapters

B4 - 1m 3.5mm to 3.5mm audio cable

Control panel overview



Wired connection guide: TV (All consoles)

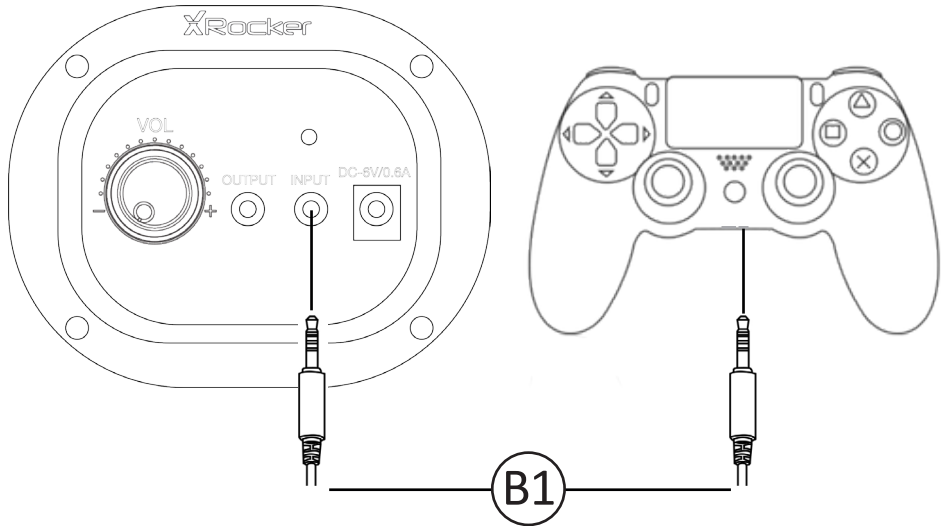


1. Connect **B1** Cable to X Rocker control panel 3.5mm **INPUT** socket
2. Connect other end of the **B1** cable to the TV headphone socket.
3. Once connected to your TV, increase volume to 50% of the maximum for the best sound level.**

***N.B:** If your TV does not feature a headphone socket then you may need to purchase an additional TOSlink adapter to get connected directly to a console for audio.

**Depending on your TV you may need to Increase the headphone volume separately in the TV sound settings.

Connect by controller: (PS4 systems only)



1. Connect the **B1** cable to the bottom of the PS4 controller via the headset socket.
2. Connect the other end of the **B1** cable to the chair via the green port.
3. With the PS4 turned on and in the main menu, **press and hold** the black PS button until the quick menu appears.
4. In this menu select **[Adjust sound and devices]**
5. Then select **[output to headphones]**
6. Change the setting from **[Chat Only]** to **[All audio]**
7. Make sure the volume in the previous menu is set to the maximum.

Troubleshooting tips

Issue	Troubleshooting steps
No power going to control panel	<ul style="list-style-type: none">• Make sure that the power cable is connected correctly.• Make sure that the power supply at the power source is working correctly.• With the chair turned to the ON position, give the power cable a slight wiggle in the port. If any lights flicker (or not) then please contact support (details below).
No sound	<ul style="list-style-type: none">• Connect a mobile phone to the X Rocker using the phone connection guidelines in the manual to test the chair for sound.• Confirm that the device/system is correctly configured as per previous connection guide.• Make sure that you indeed have a headphone socket on your TV. This will typically be marked with a headphone symbol or “H/P OUT”
Stereo speakers do not produce sound / sound is faint	<ul style="list-style-type: none">• Please make sure that the volume of the source device is at a higher level to strengthen the audio signal.
The cables connected to my X Rocker have been broken accidentally	<ul style="list-style-type: none">• Please contact X Rocker support (service@XRockerNation.co.uk) regarding this issue.
Don't have a headphone socket on your TV?	<ul style="list-style-type: none">• You may need to purchase a TOSlink adapter. If you are unsure as to which to purchase then please contact X Rocker at service@XRockerNation.co.uk regarding this issue.

Health and safety information

- Avoid immersing or allowing the X Rocker to come into contact with liquids.
- Please consult X Rocker Support before unscrewing any of the electrical components on the chair.
- Please be mindful of any cabling laid out between the X Rocker and power source/audio device.
- Please be mindful of cabling attached when moving/swivelling the X Rocker.
- If the cables or electrical equipment are broken then this may present a choking risk, please contact Support for replacements and dispose of these parts safely.
- Do not stand on the X Rocker or exceed the 120kg weight limit via other means.
- Do not lean back on the chair to the point in which the pedestal would lift off the ground.
- X Rocker armrests are designed for support and comfort during gameplay, please do not use these as support for getting in/out of the chair.
- Playing audio for long periods at loud volumes may contribute to difficulties in hearing.
- Please be considerate to others when playing audio through the X Rocker speakers at higher volumes.

Power supply safety information

**Need Help? Email: Service@XRockerNation.co.uk
Phone: 01274 683 109
www.XRockerNation.co.uk**

IMPORTANT: You must keep your original retail receipt as proof of purchase.