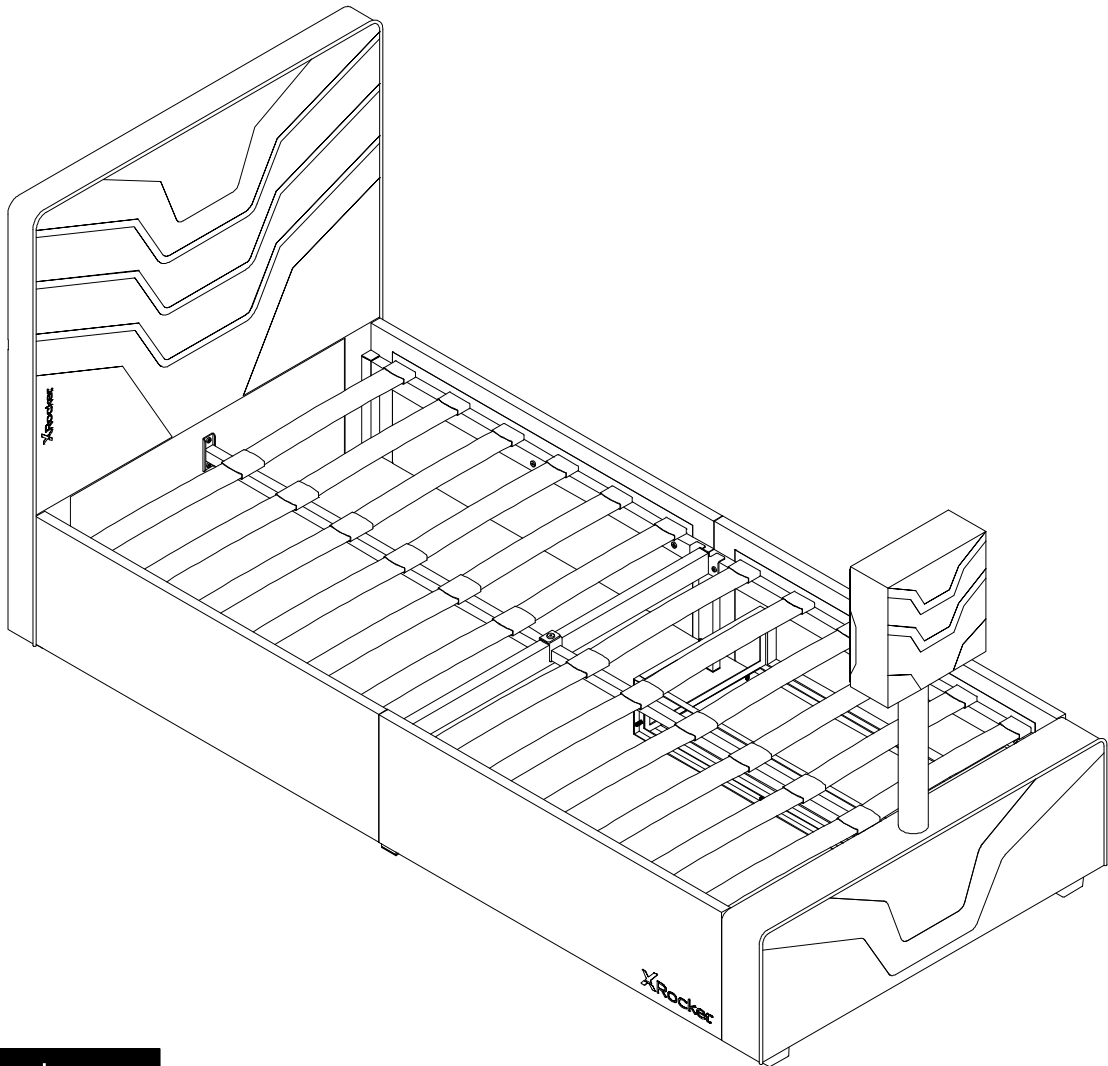


ORACLE TV GAMING BED

IMPORTANT - READ CAREFULLY - RETAIN FOR FUTURE REFERENCE

XRocker



Dimensions

Single Size

Width -210cm

Depth -99cm

Height -108cm

If there are any parts missing or you need further assistance, please visit:

www.bluemouth.com.au

IMPORTANT: You must keep your original retail receipt as proof of purchase.



SAFETY AND CARE ADVICE

IMPORTANT - READ CAREFULLY - RETAIN FOR FUTURE REFERENCE

- Check you have all the components and tools listed on the following pages. Remove all fittings from the plastic bags and separate them into their groups.
- Keep children and animals away from the work area. Small parts may cause a choking hazard.
- Dispose of all packaging carefully and responsibly.
- Place the product on flat and steady surface during use.
- Assemble on a soft level surface to avoid damaging the unit or your floor.
- Keep these instructions for further use.
- Never allow anyone to sit on the foot end of the bed. Keep children well away from moving parts. If you have young children in the home, always disconnect the power at the wall socket for extra safety.
- Never touch moving parts or any part of the equipment whilst in use - if something needs to be checked, disconnect the power first. The socket providing the power must be accessible at all times in case you need to switch off the power quickly.
- All approved mains powered extension leads, used to power the equipment, must not be placed where they can be walked on - this is dangerous and could lead to accidents.
- Do not expose the bed to an undue level of heat - keep away from radiators.
- Do not place any vessel containing liquids on the TV footboard or TV itself which may accidentally spill and cause damage to your bed, the TV, the TV mount or your console
- Regularly inspect all cables for signs of damage.
- Do not touch any part of the cables, LEDs or switch with wet hands.
- Not suitable for use as main lighting in an indoor setting.
- Prevent eye damage by avoiding direct eye contact with the LEDs.
- Always disconnect the bed from the mains power before moving or cleaning it.
- If there is any sign of damage to the LEDs or components, please discontinue use and contact the manufacturer for support.
- Do NOT clean the light system with detergents, abrasives or other aggressive substances.
- Do NOT use the light system near flammable, explosive or reactive substances.

CARE AND MAINTENANCE

- Only clean using a damp cloth and mild detergent, do not use bleach or abrasive cleaners.
- Regularly check and ensure that all bolts and fittings are tightened properly.

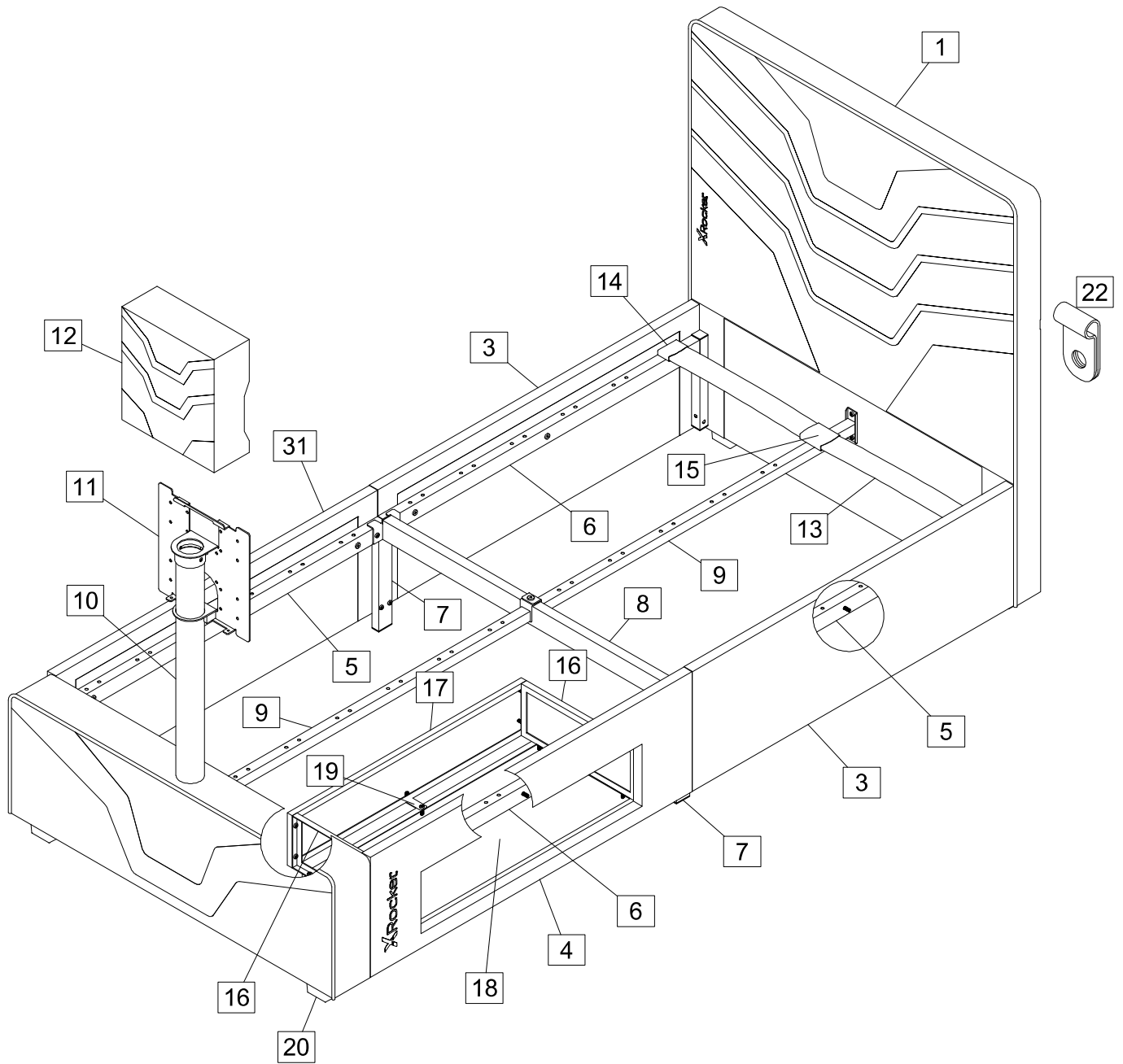
HANDY HINTS

- To ensure an easier assembly we strongly advise that all fittings are only finger tightened during initial assembly. Only upon completion of the assembly should all fixing points be fully tightened.
- Make sure you have enough space to layout the parts before starting.
- Check you have all the components and tools listed on the following pages. Remove all fittings from the plastic bags and separate them into their groups.
- Keep children and animals away from the work area. Small parts may cause a choking hazard.
- Dispose of all packaging carefully and responsibly.
- Place the product on flat and steady surface during use.
- Assemble the item as close to its final position in the same room) as possible
- Parts of the assembly will be easier with 2 people.

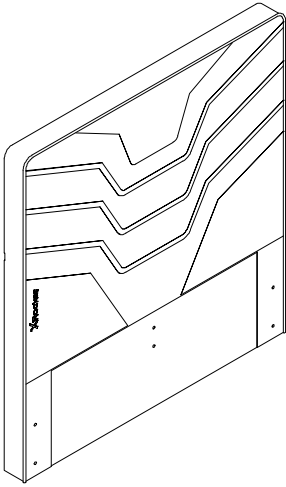
IMPORTANT: YOU MUST KEEP YOUR ORIGINAL RETAIL RECEIPT AS PROOF OF PURCHASE.



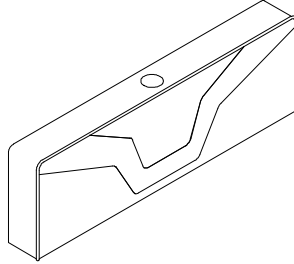
PARTS



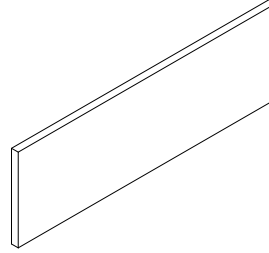
PARTS



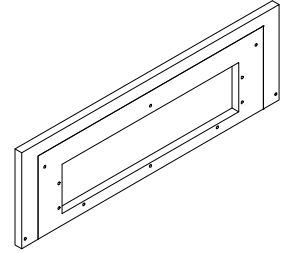
1 Headboard X 1



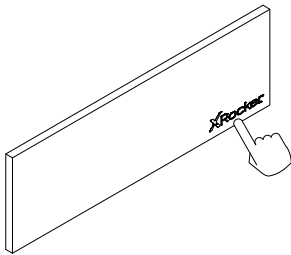
2 Footboard X 1



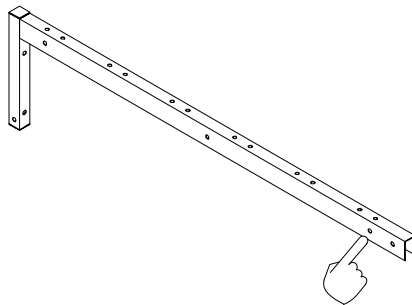
3 Side Panel X 2



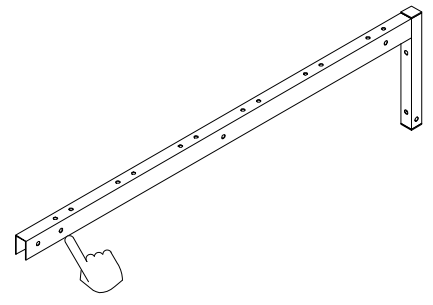
4 Side Panel X 1



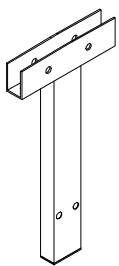
31 Side Panel X 1



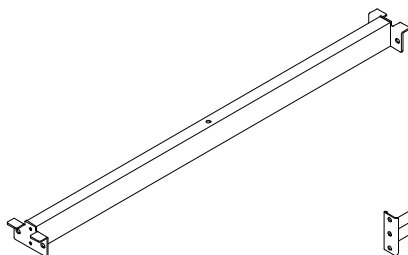
5 Side Rail X 2



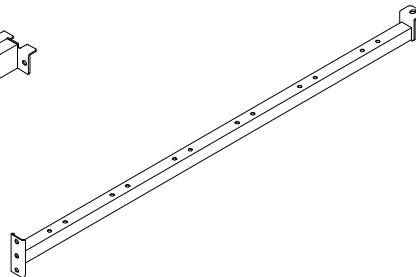
6 Side Rail X 2



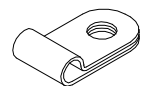
7 Support Leg X 2



8 Center Rail X 1



9 Center Rail X 2

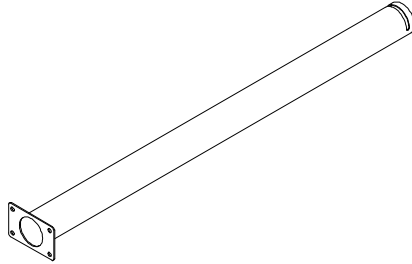


22 Clip X 2

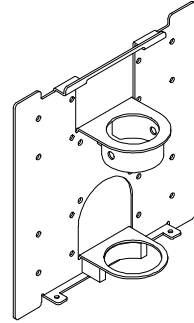
PARTS



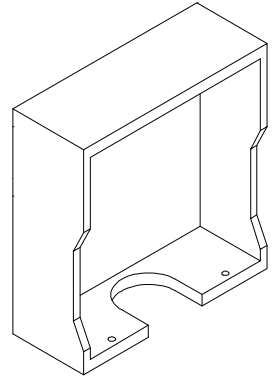
23 Ribbon X 6



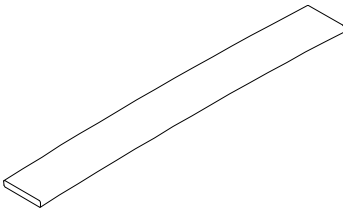
10 TV Rail X 1



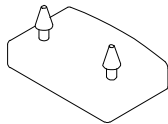
11 TV Bracket X 1



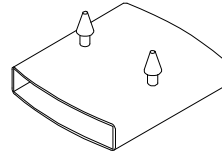
12 TV Box X 1



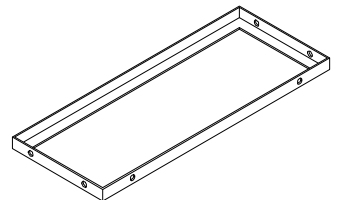
13 Wooden Slat X 24



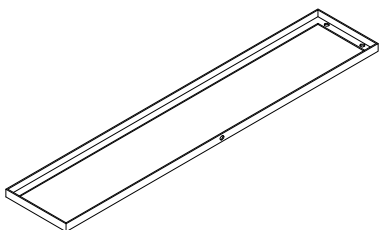
14 Single Slat Cap X 24



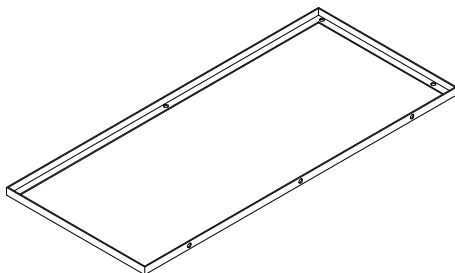
15 Double Slat Cap X 12



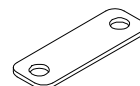
16 Drawer Side Panel X 2



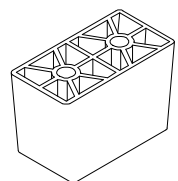
17 Drawer Back Panel X 1



18 Drawer Bottom Panel X 1



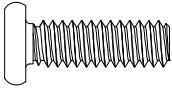
19 Bracket X 1



20 Leg X 4

FITTINGS

A x 34



M6 x 19mm Bolt

B x 6



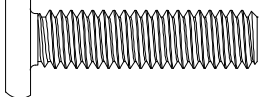
M6 x 35mm Bolt

C x 32



M6 x 40mm Bolt

D x 1



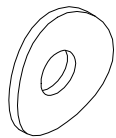
M8 x 30mm Bolt

E x 1



Nut M6

F x 2



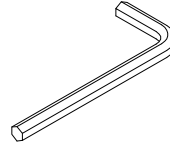
M6 washer

G x 4



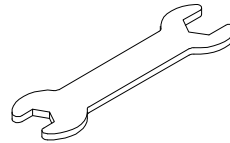
M4 x 4 Metal washer

H x 1



Allen Key

I x 1



Wrench

J x 2



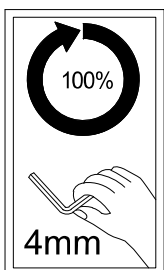
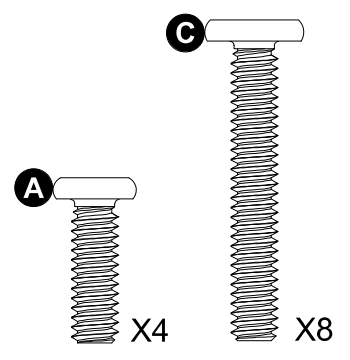
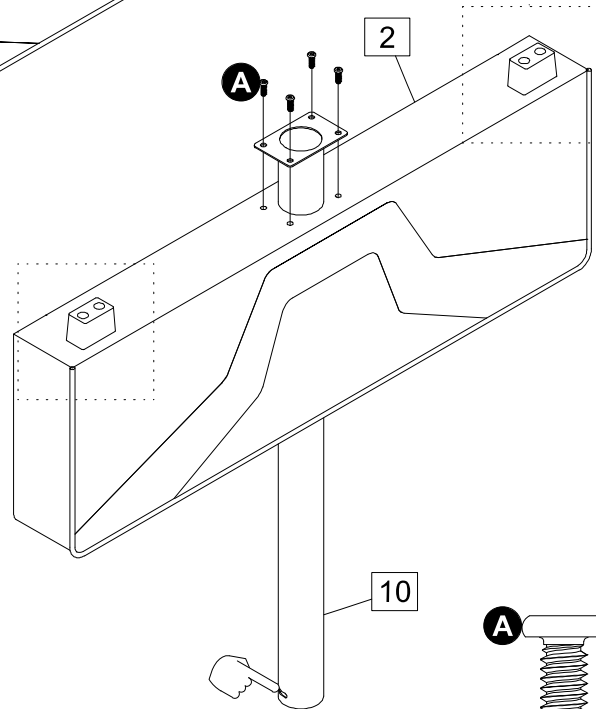
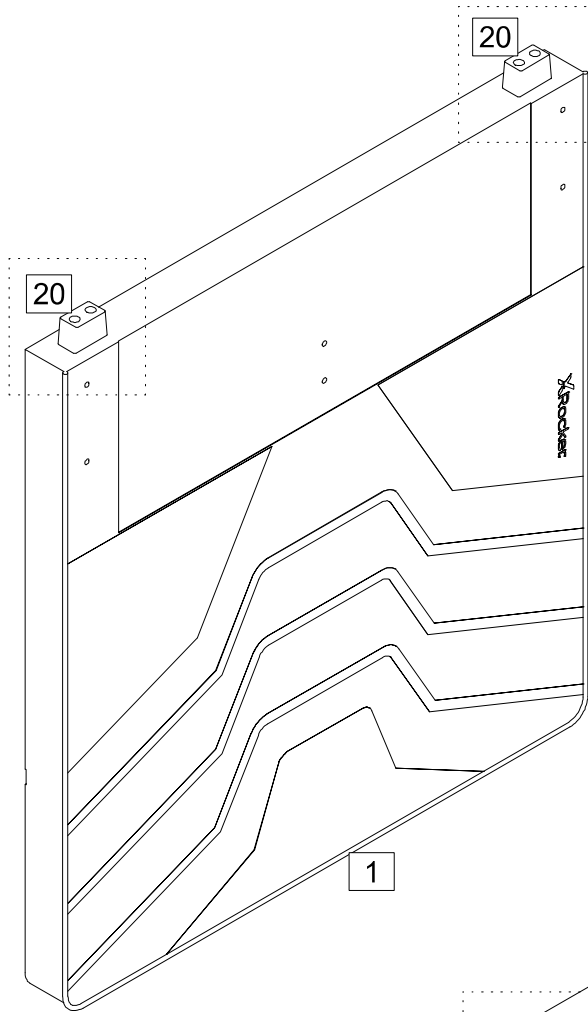
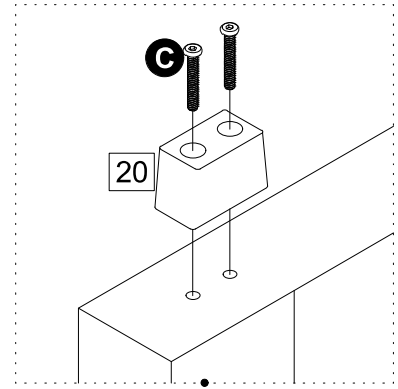
M6 washer

K x 2

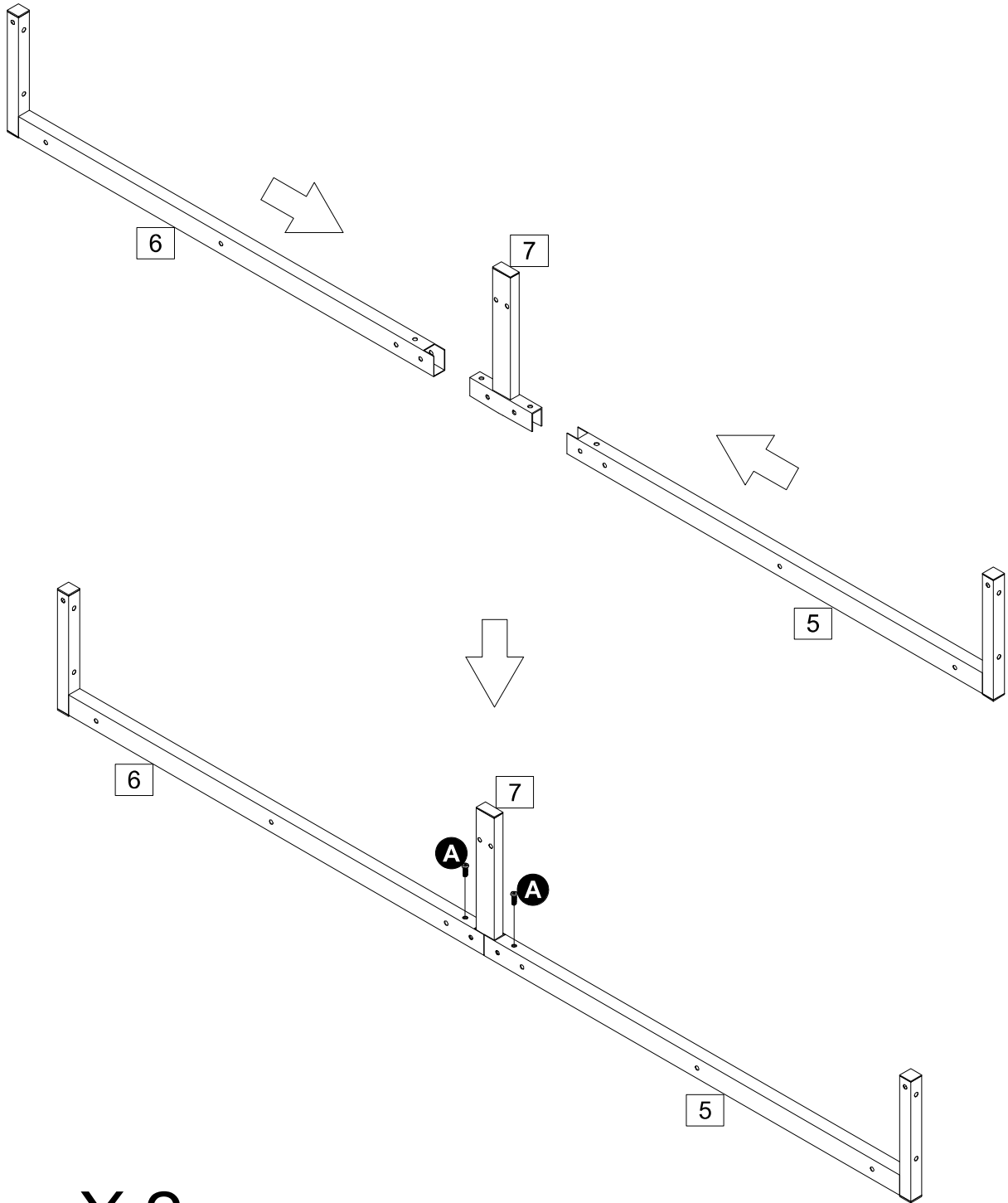


M4 x 23 mm Bolt

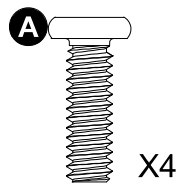
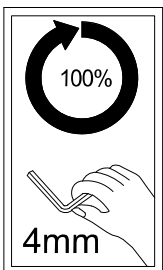
1



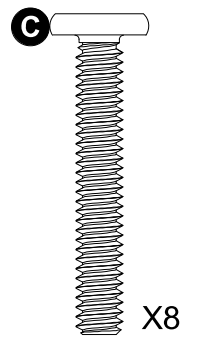
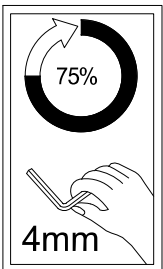
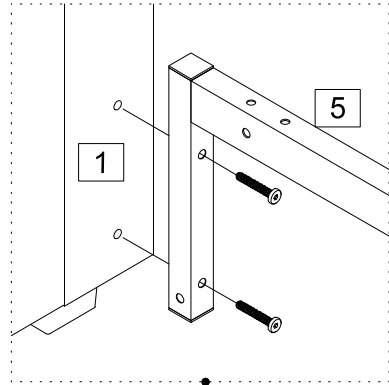
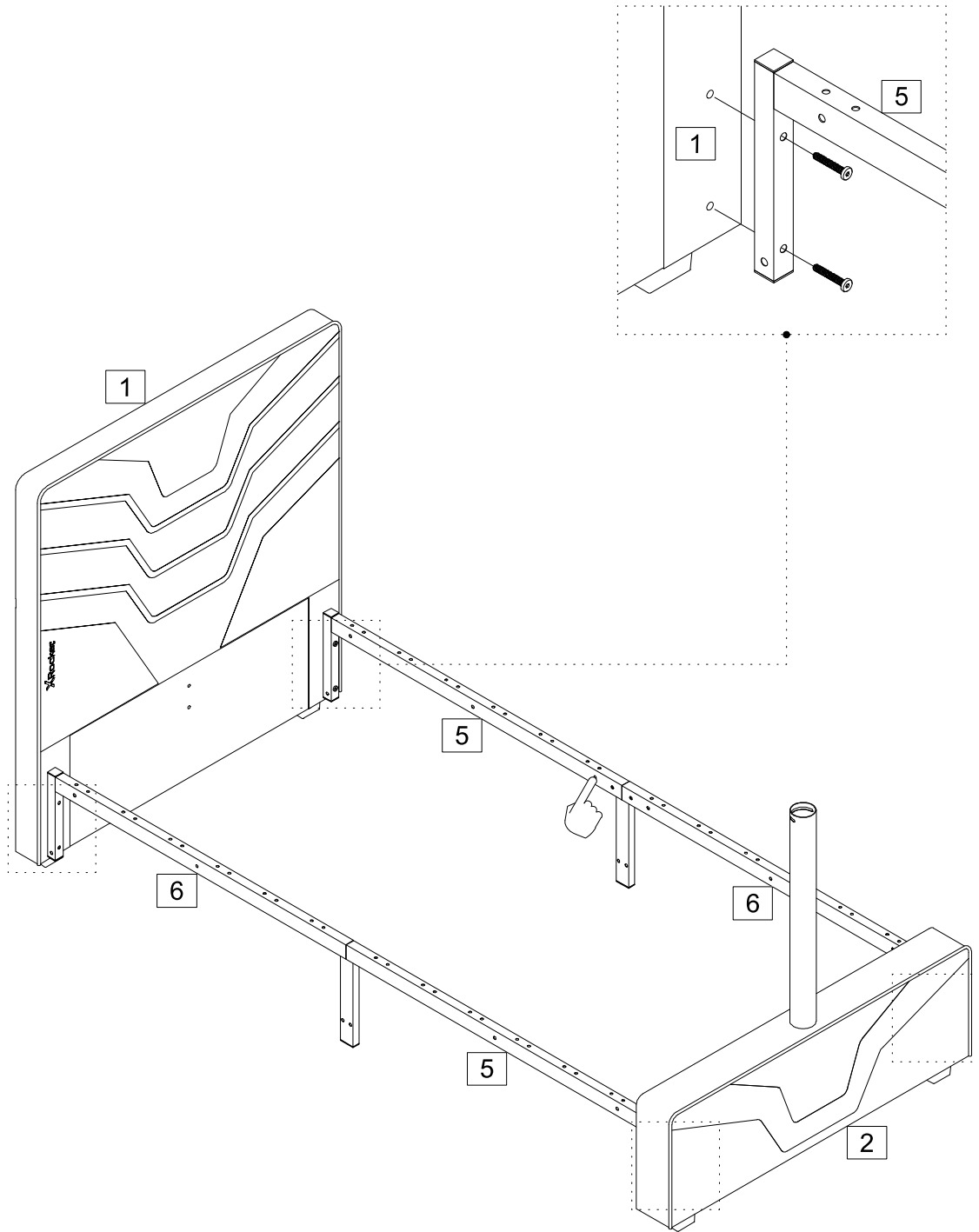
2



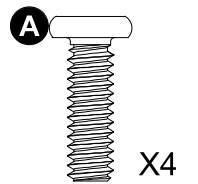
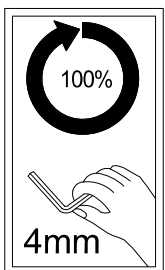
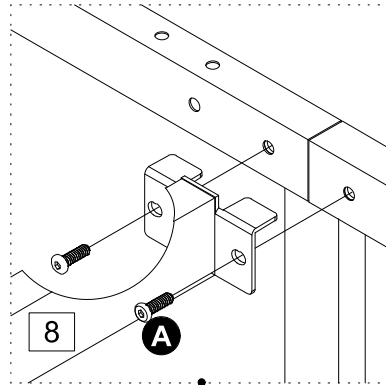
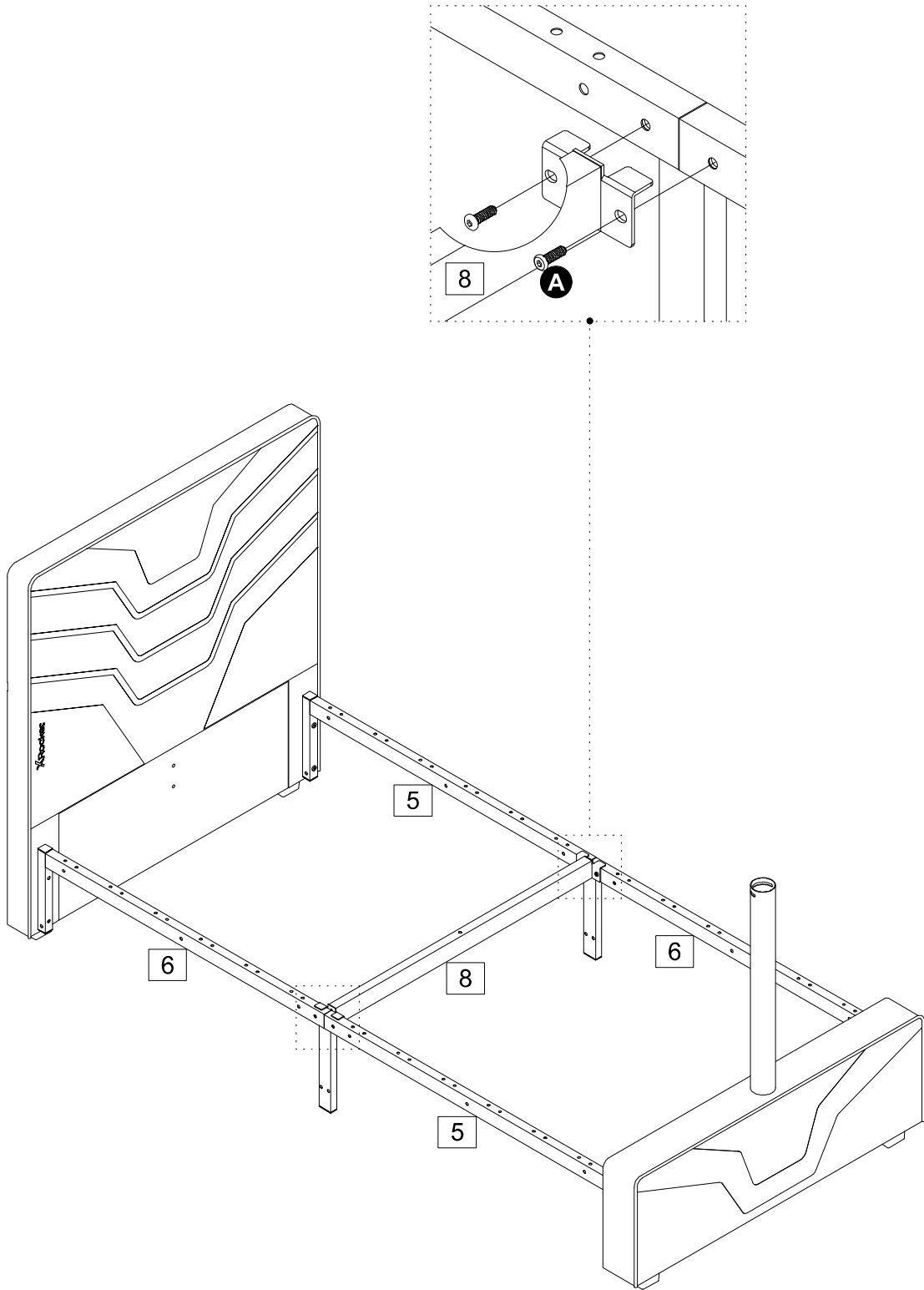
X 2



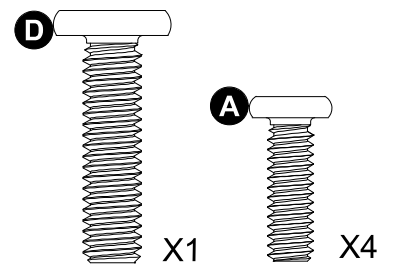
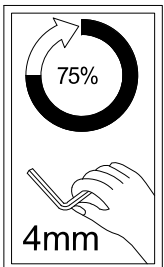
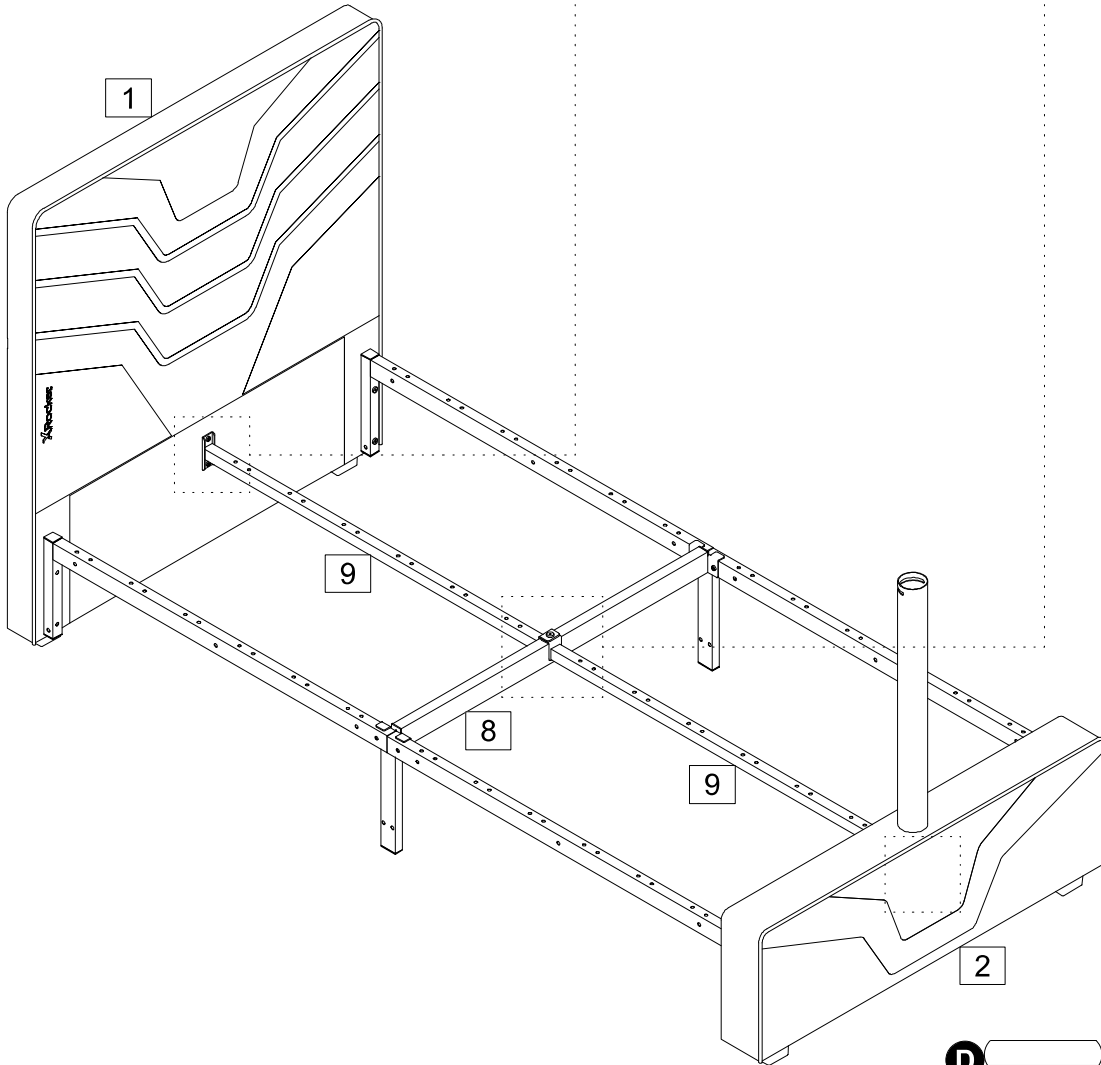
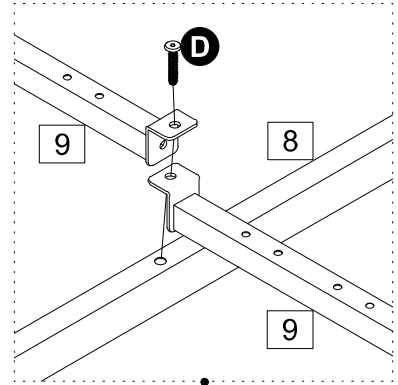
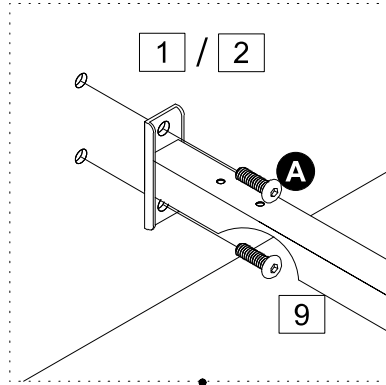
3



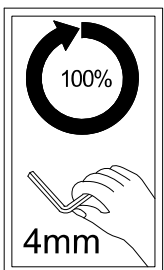
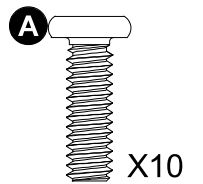
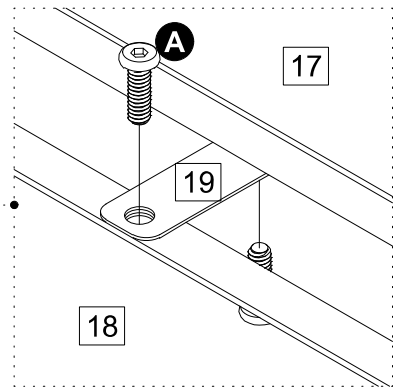
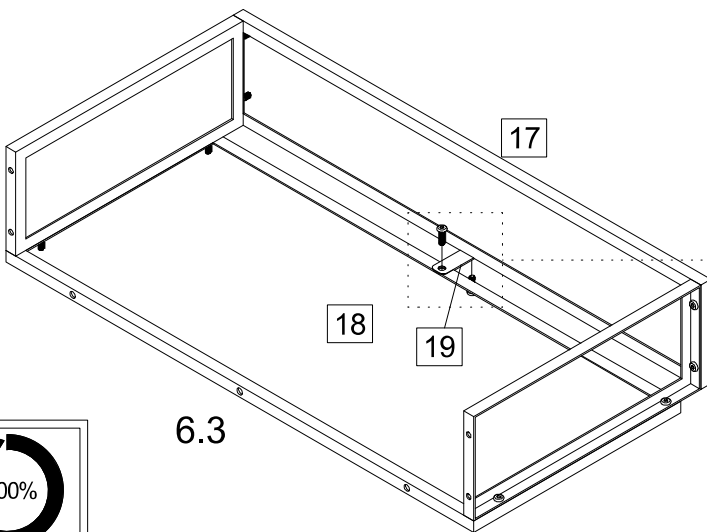
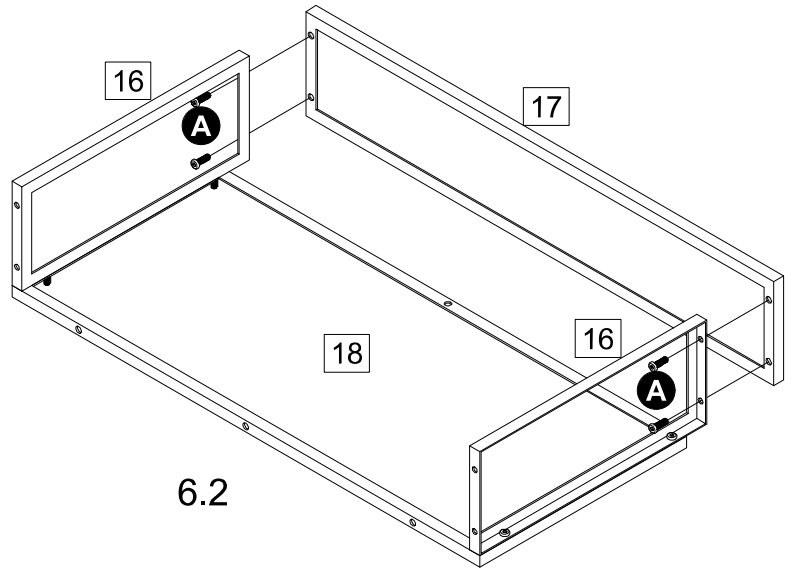
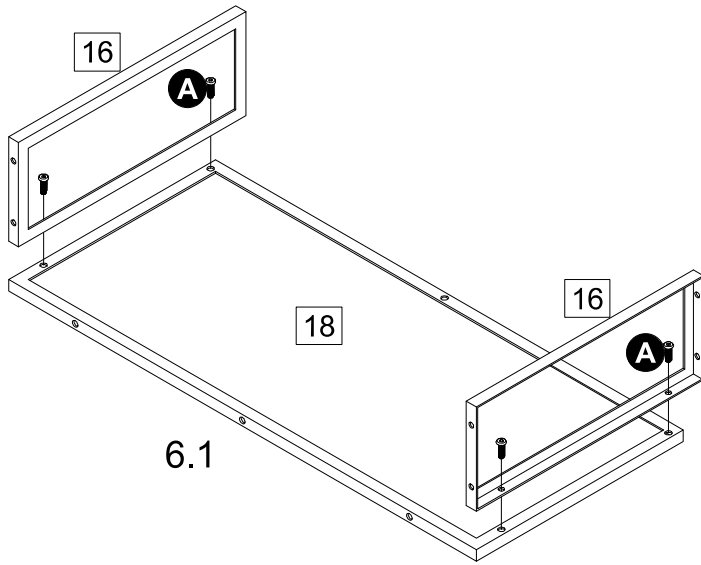
4



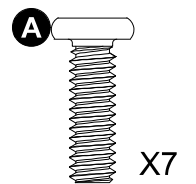
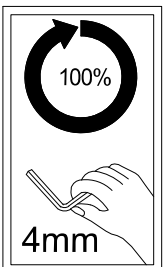
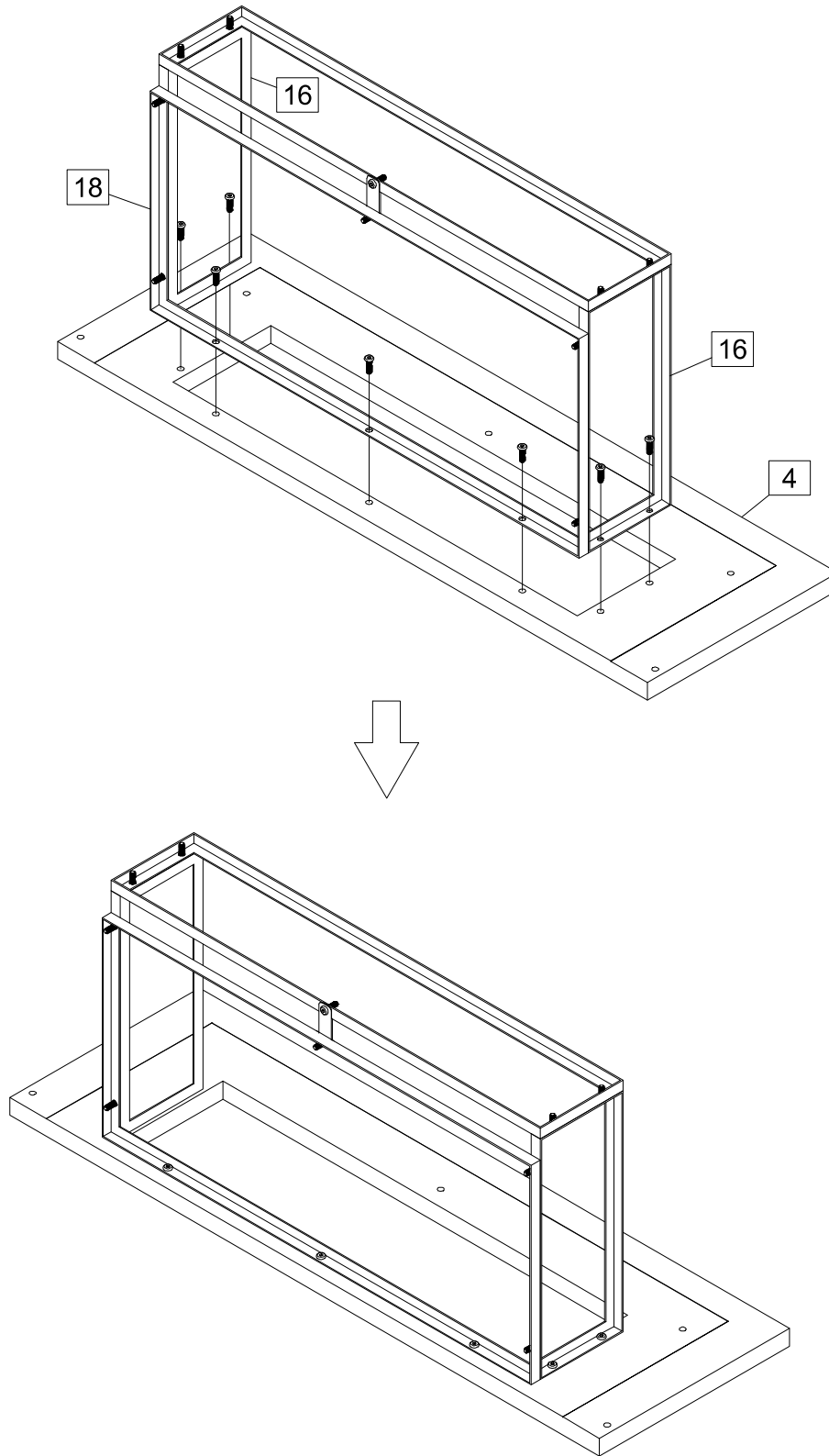
5

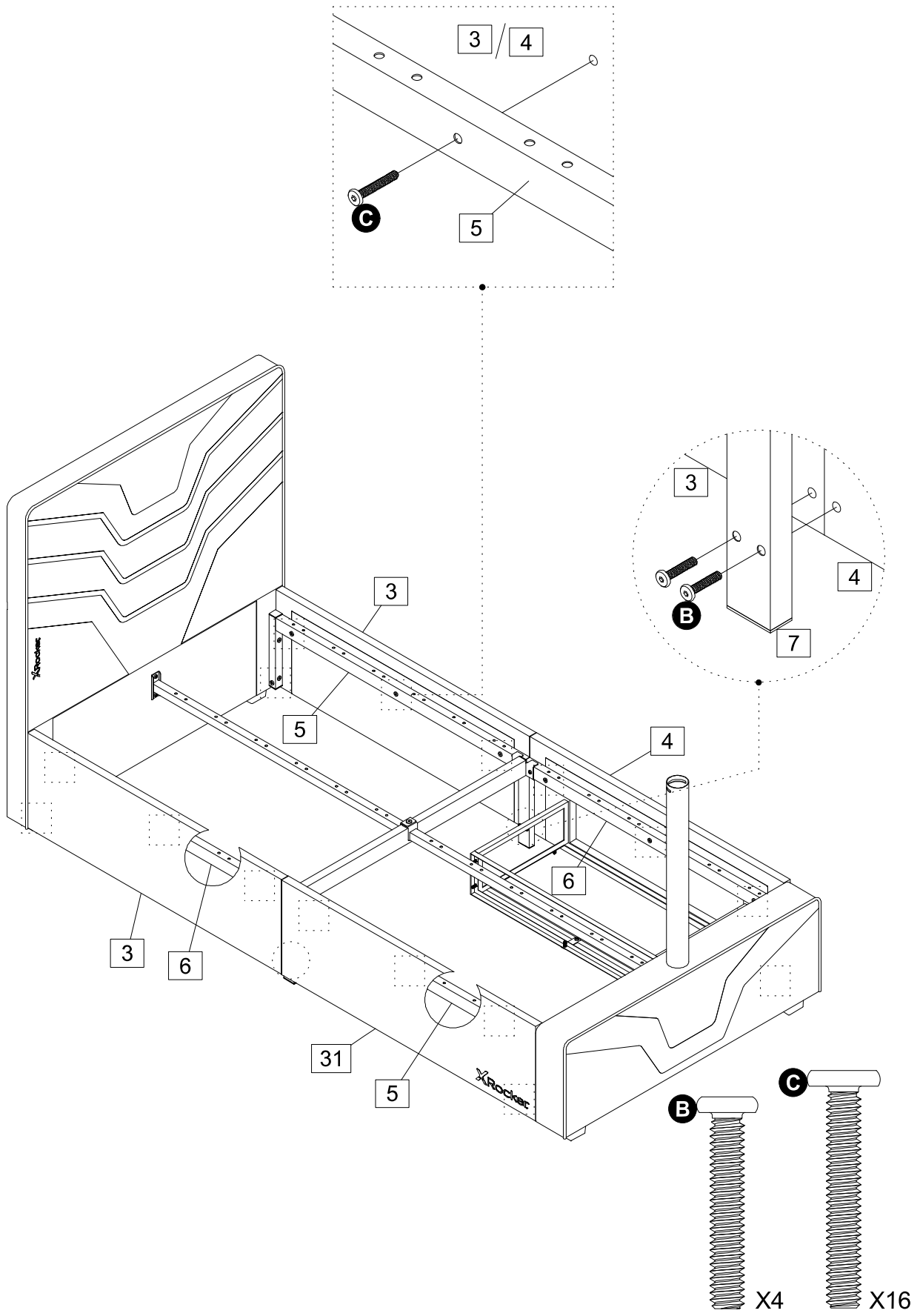


6

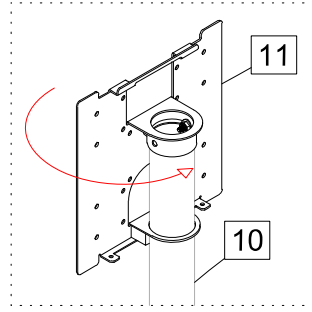
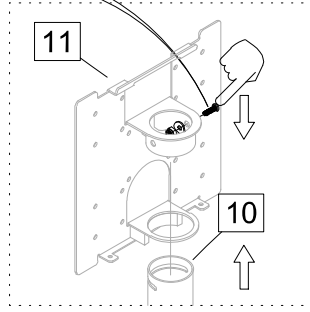
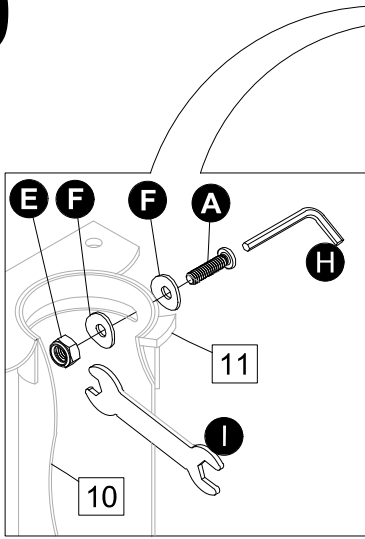


7

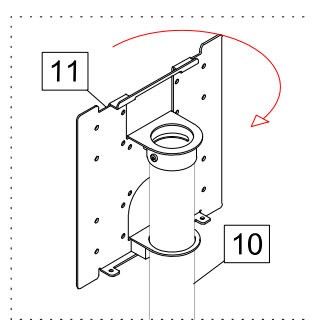
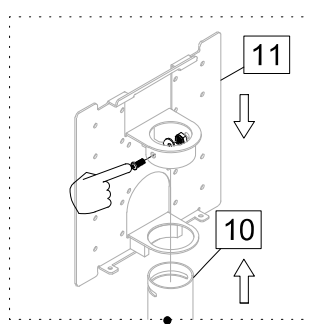




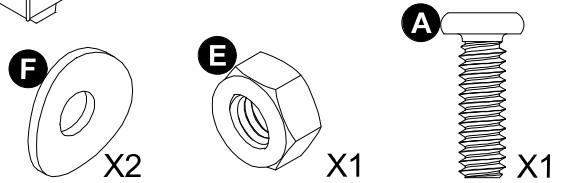
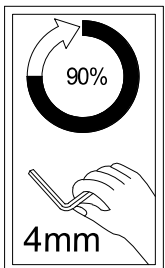
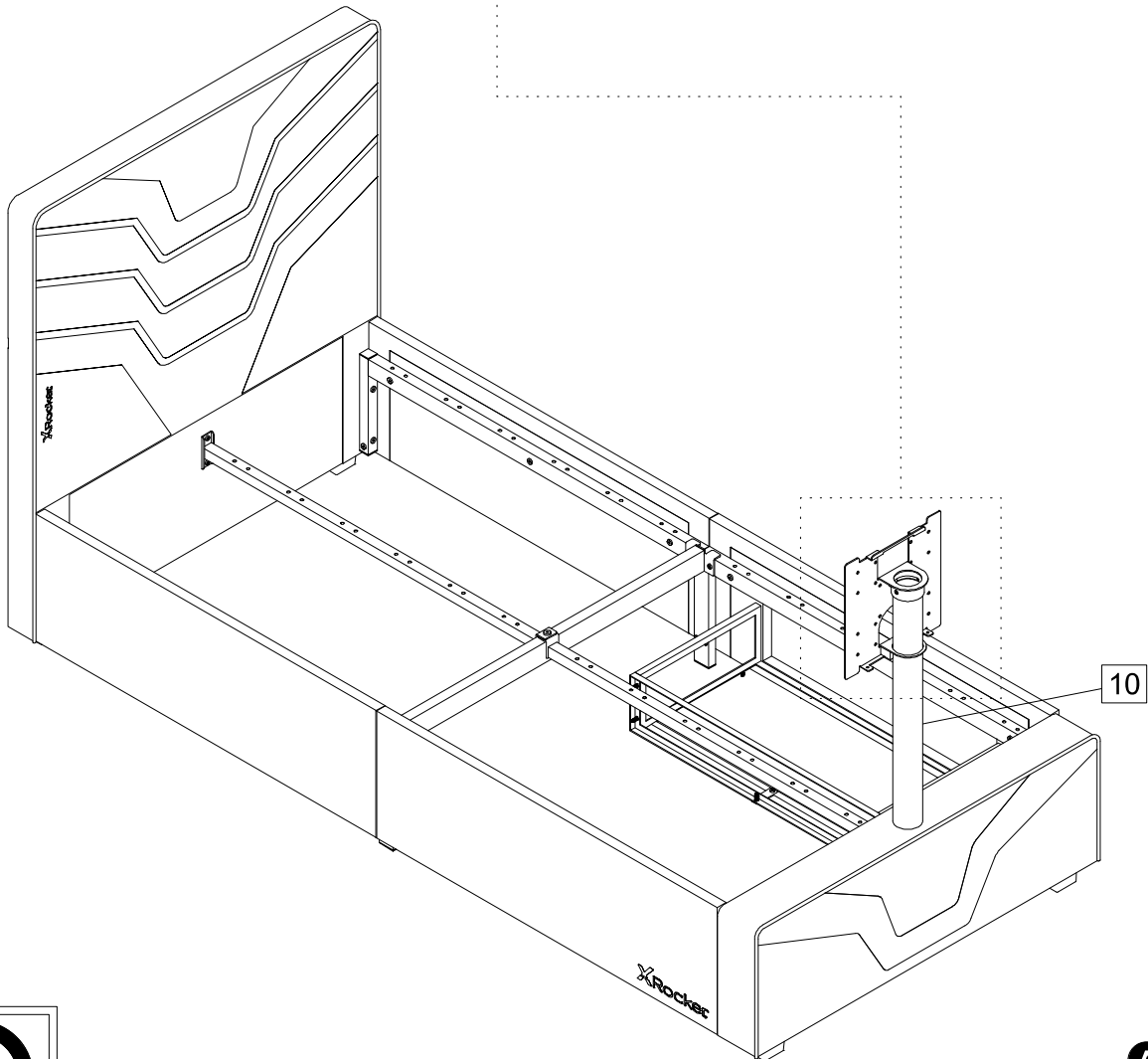
9



Anticlockwise 180°

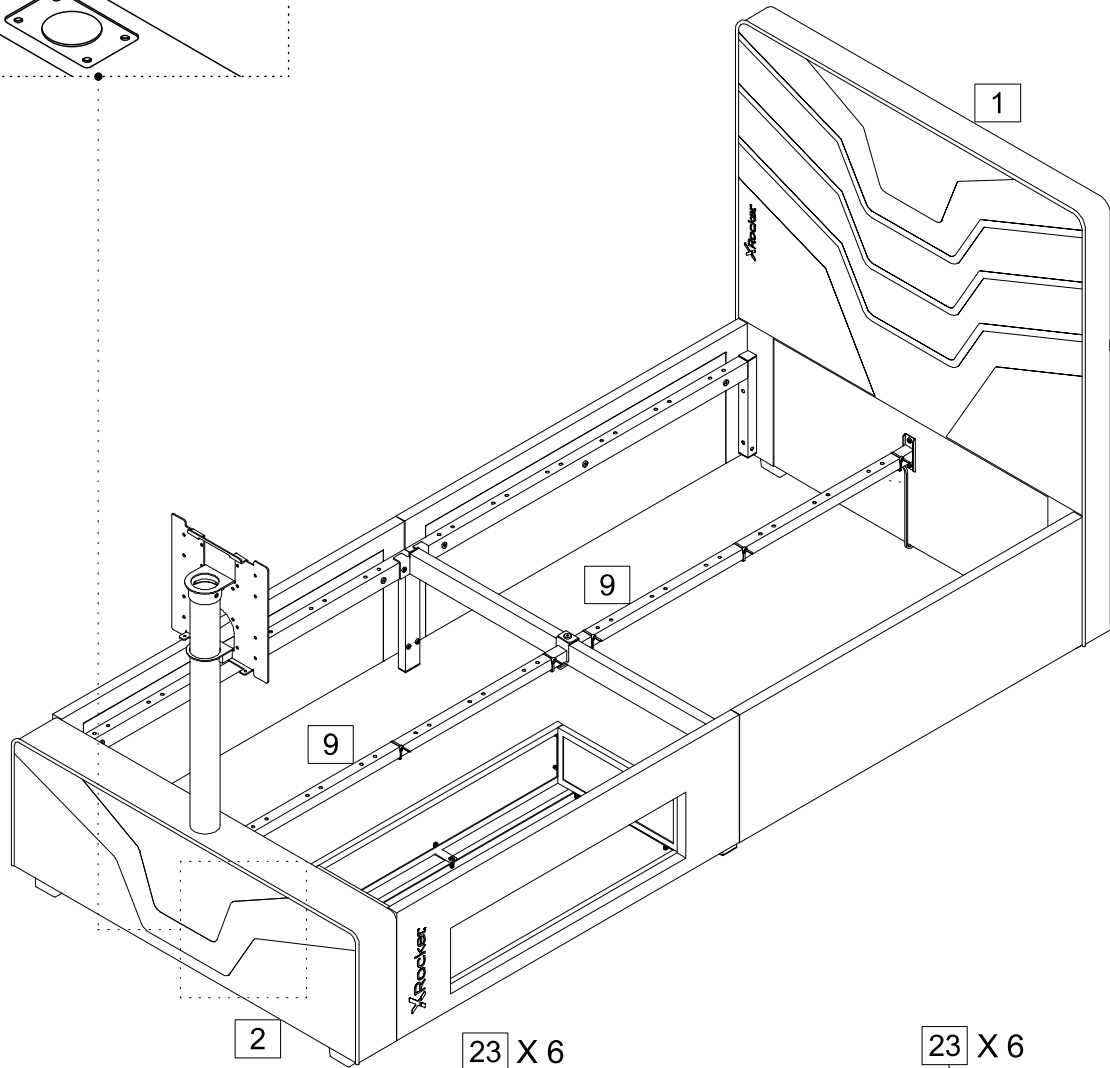
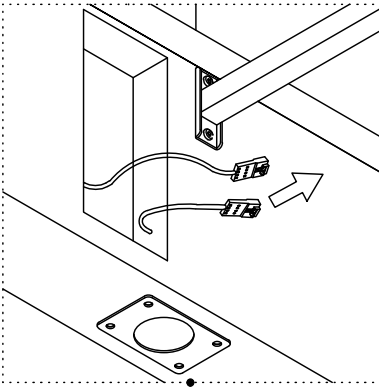


Clockwise 180°

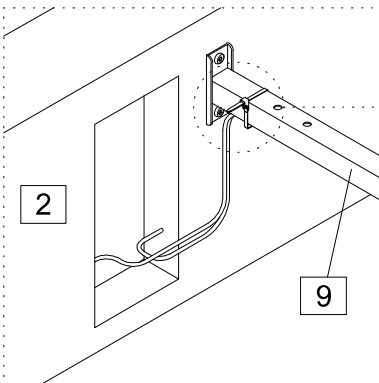


10

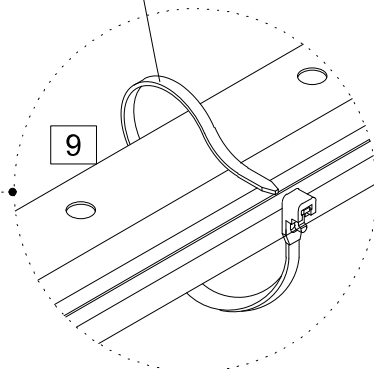
10.1



10.2

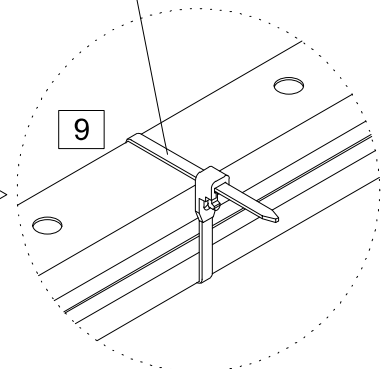


23 X 6



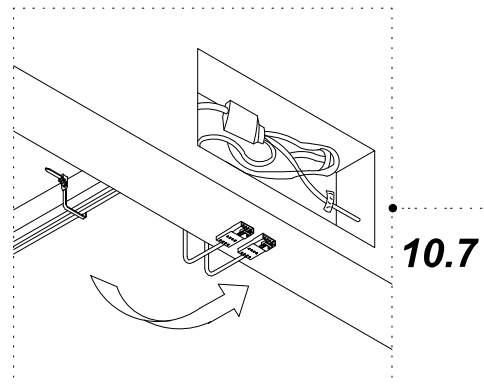
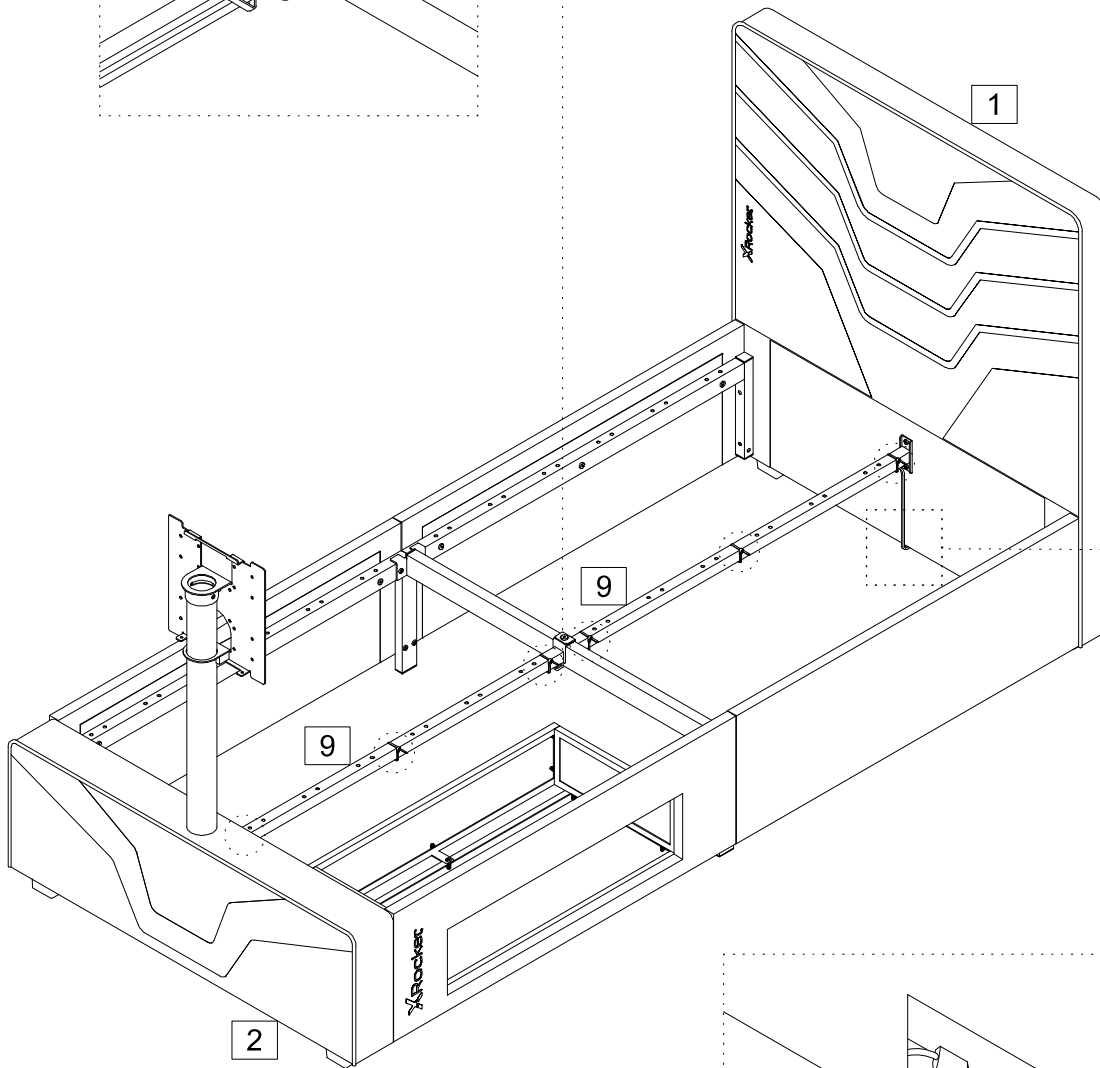
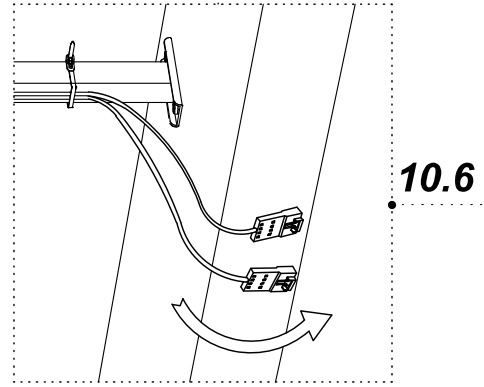
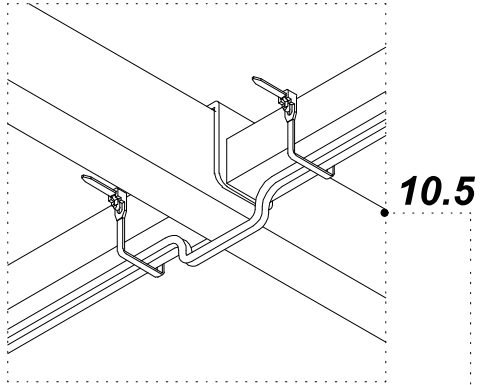
10.3

23 X 6

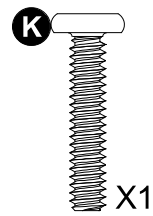
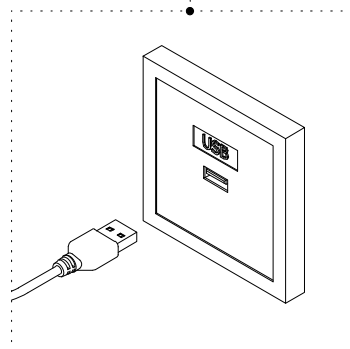
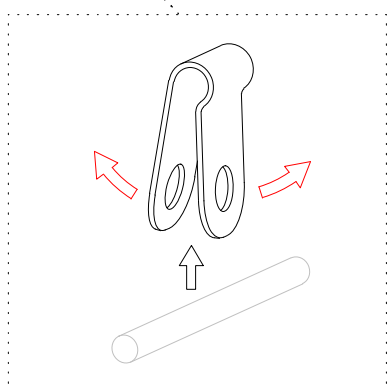
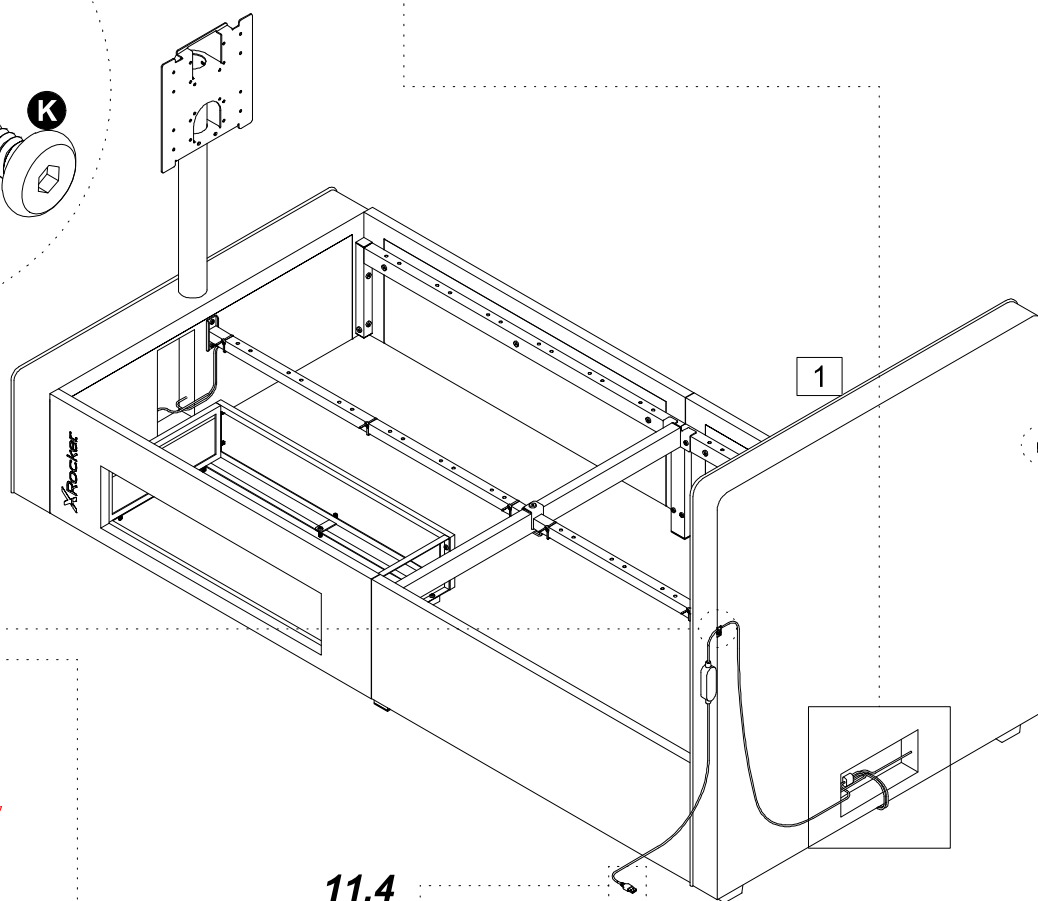
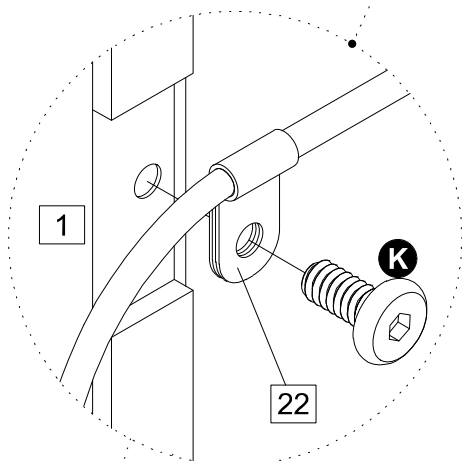
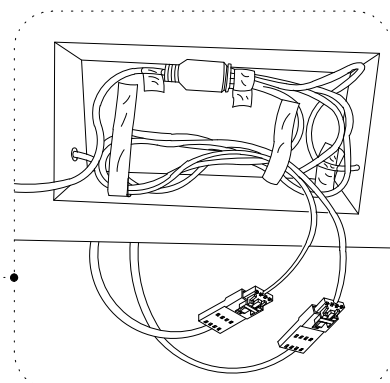
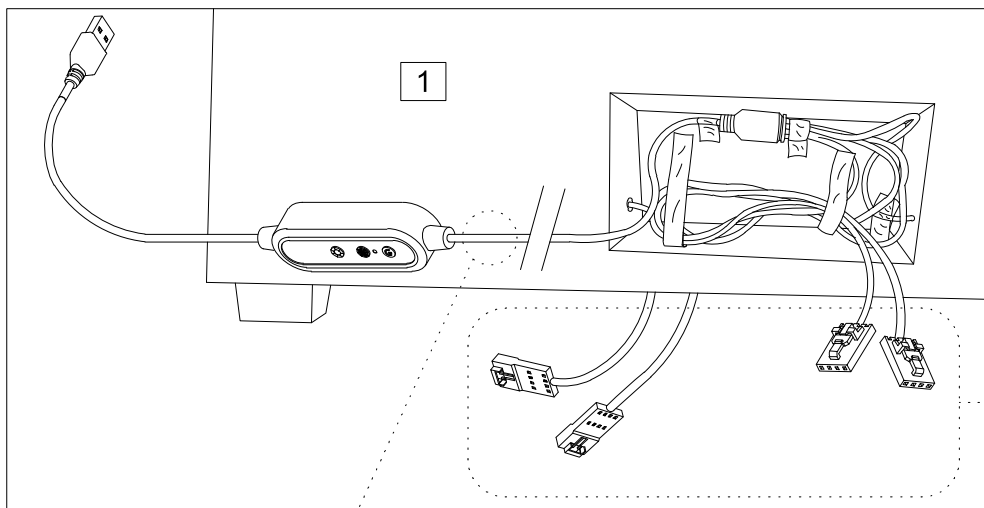


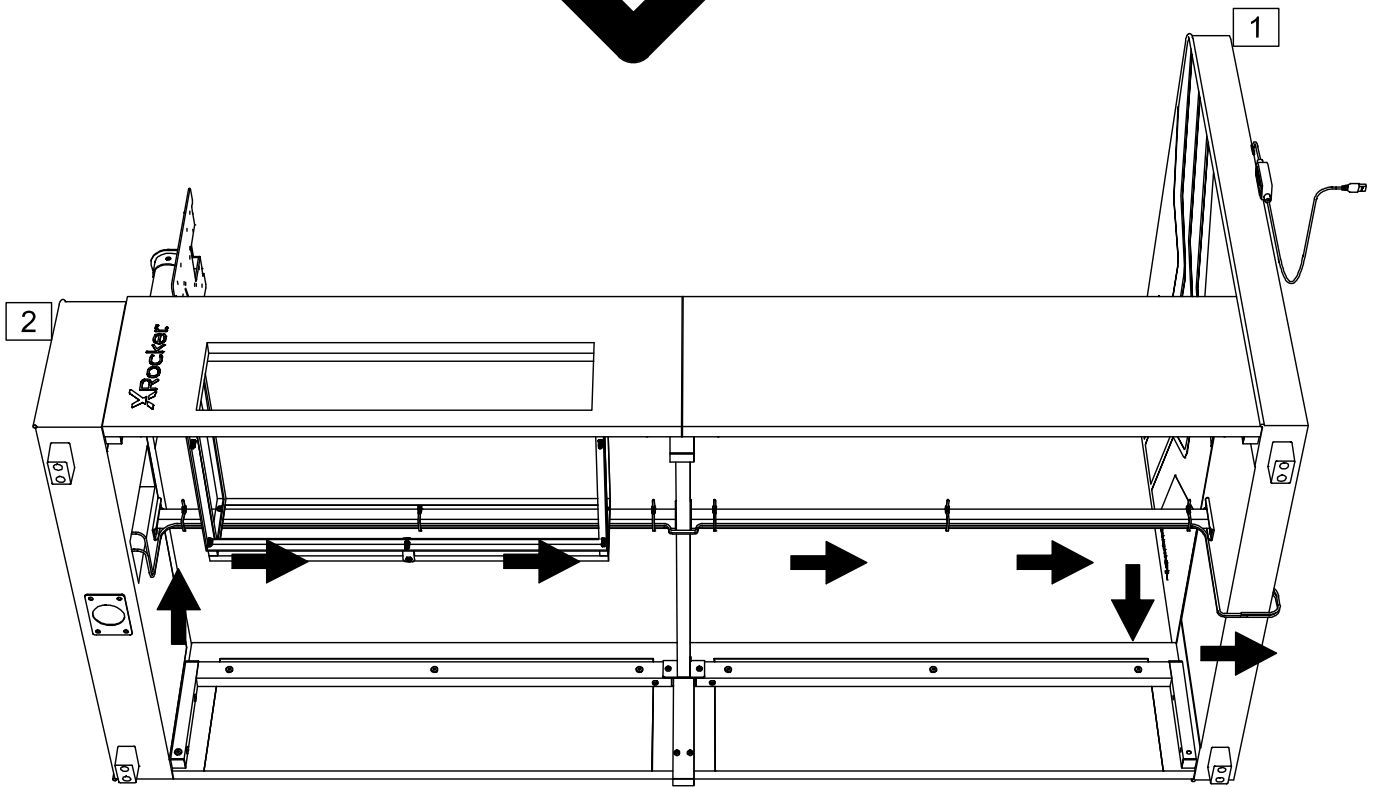
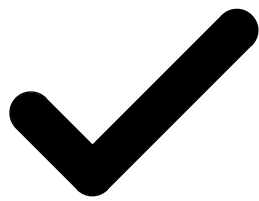
10.4

10

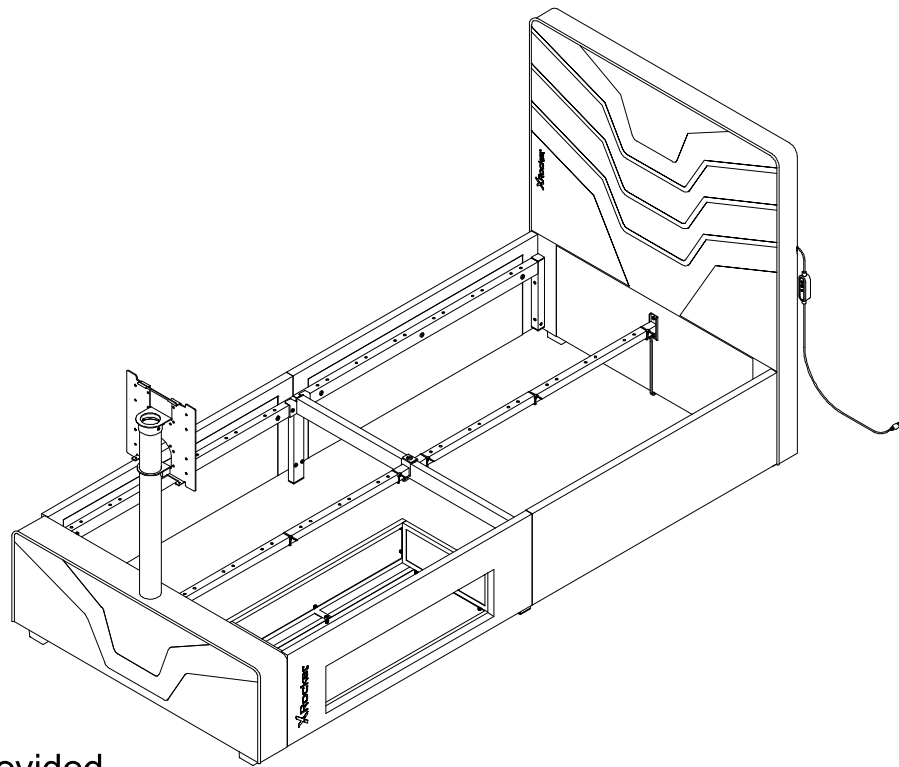


11



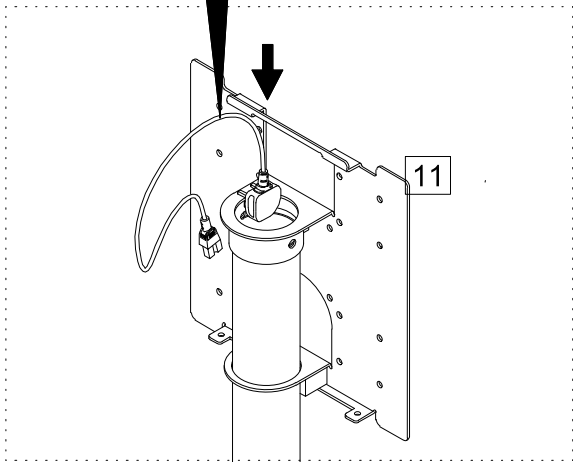


12

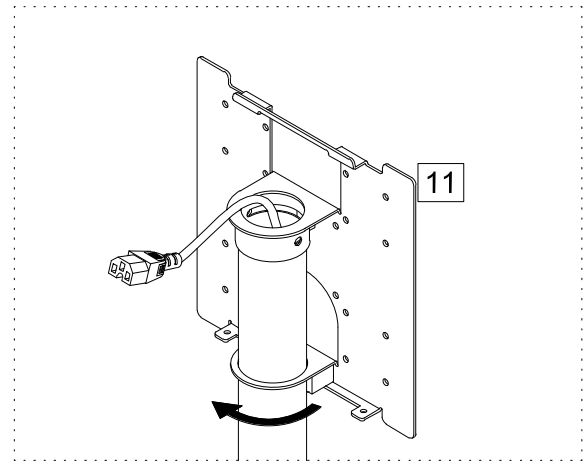


Not provided

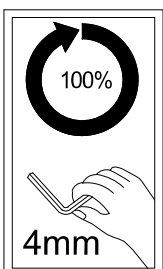
a:



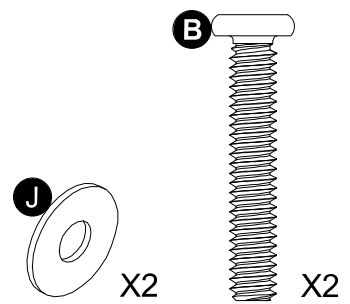
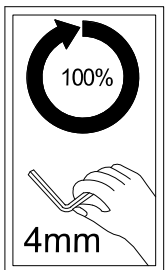
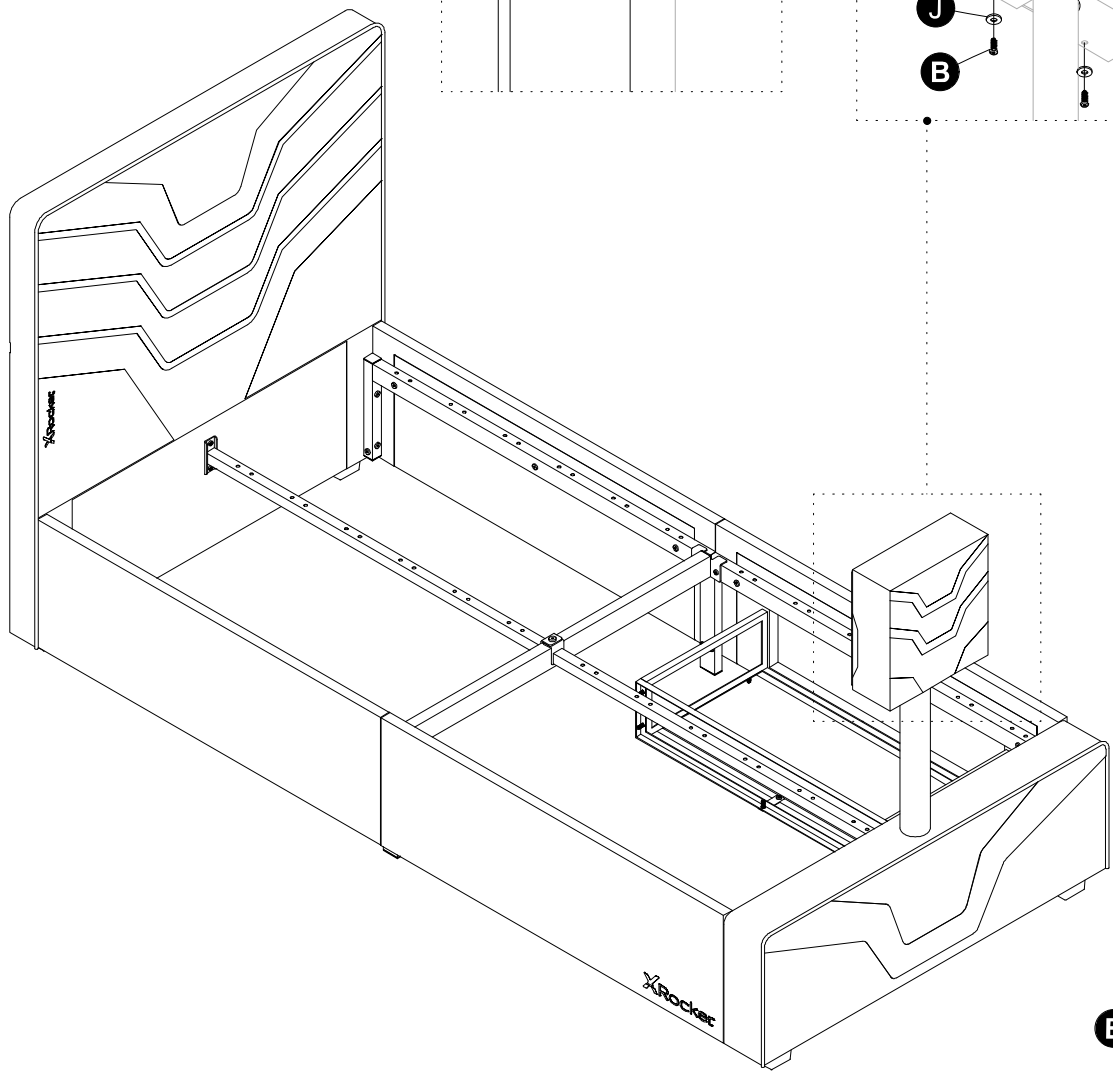
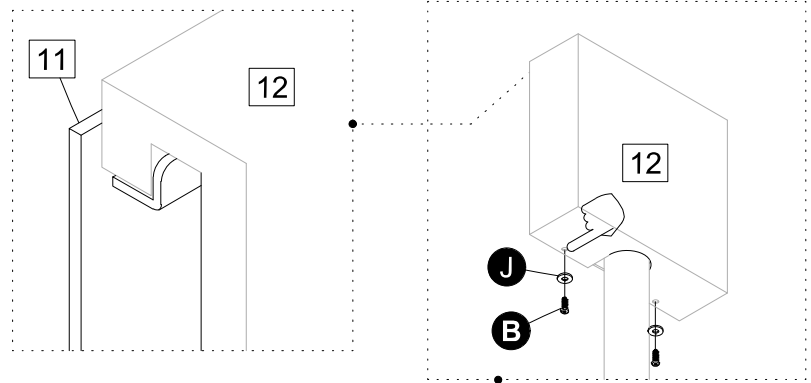
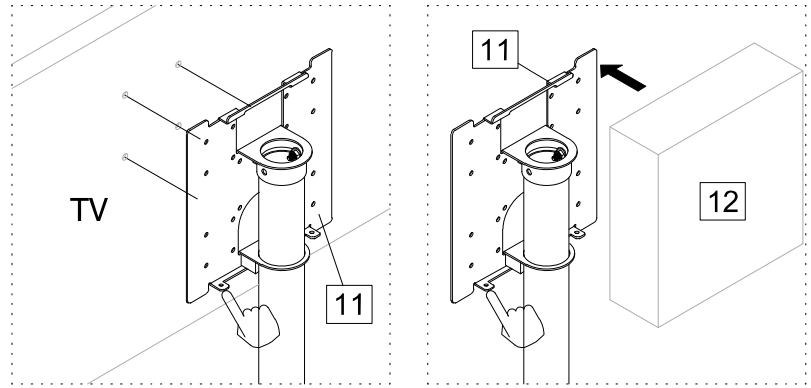
b/c:



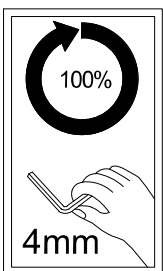
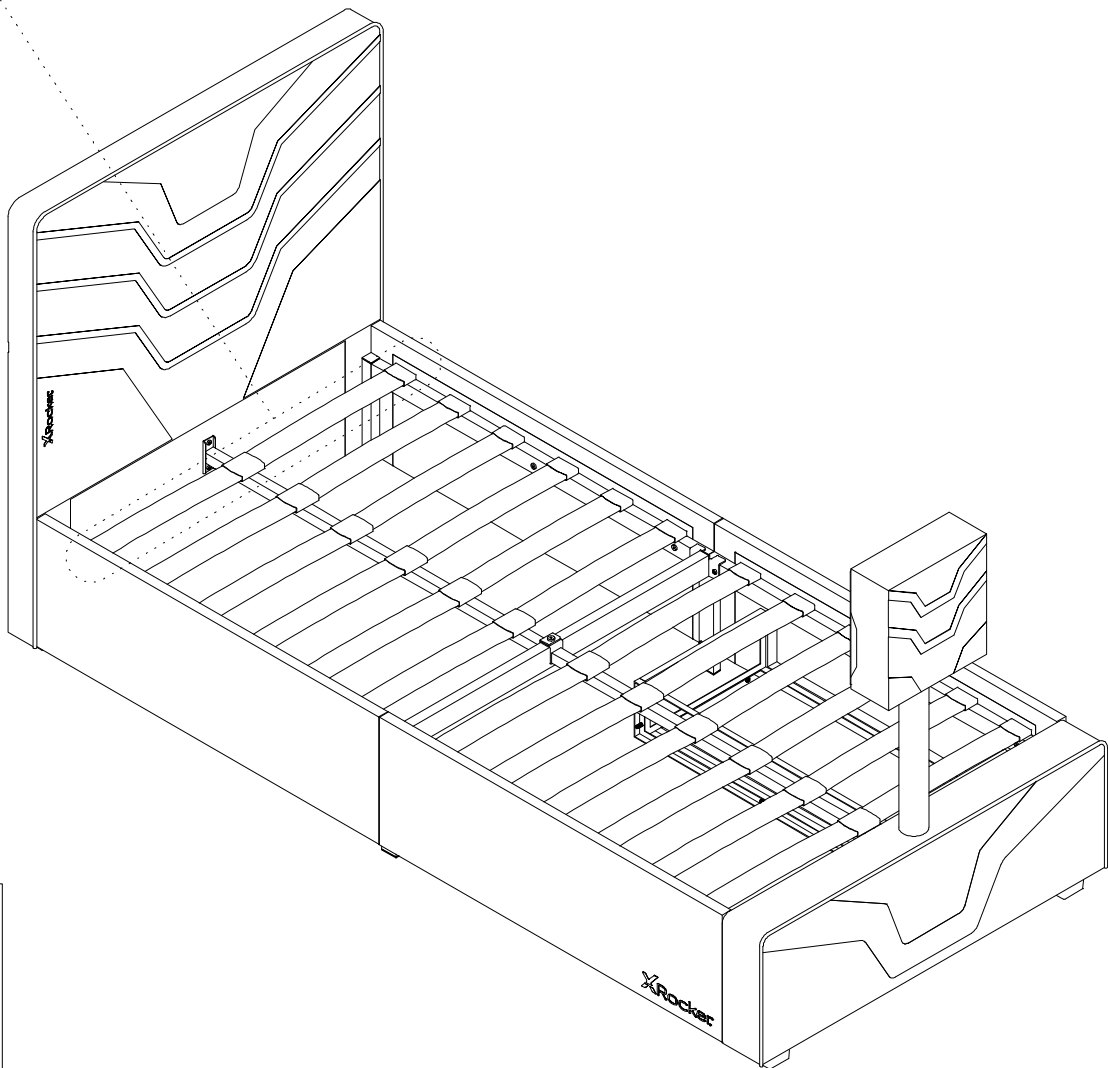
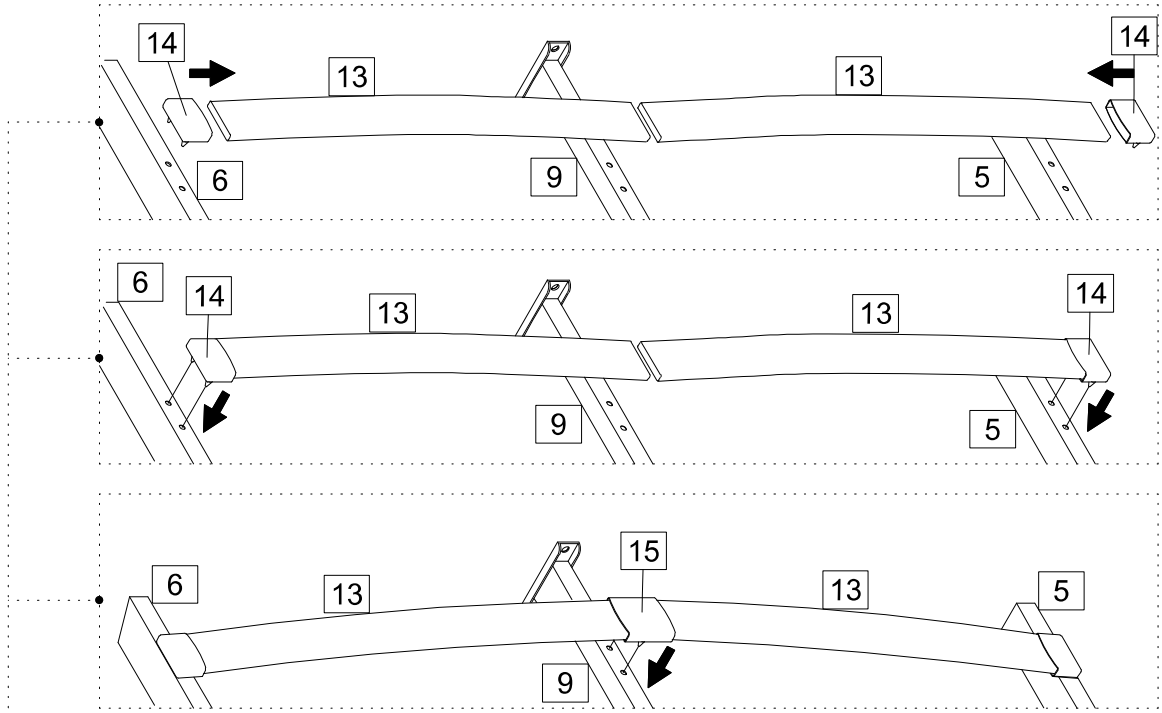
NOTE 1: The TV mount is attached with M6 screw. If you are using M4 screw to mount the TV screen, please use part G washer as provided to make sure M4 screw fit.
NOTE 2: If the TV pole can't be rotated freely, please loosen Screw B in step 10 a little. Do not 100% tighten it.

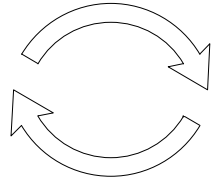
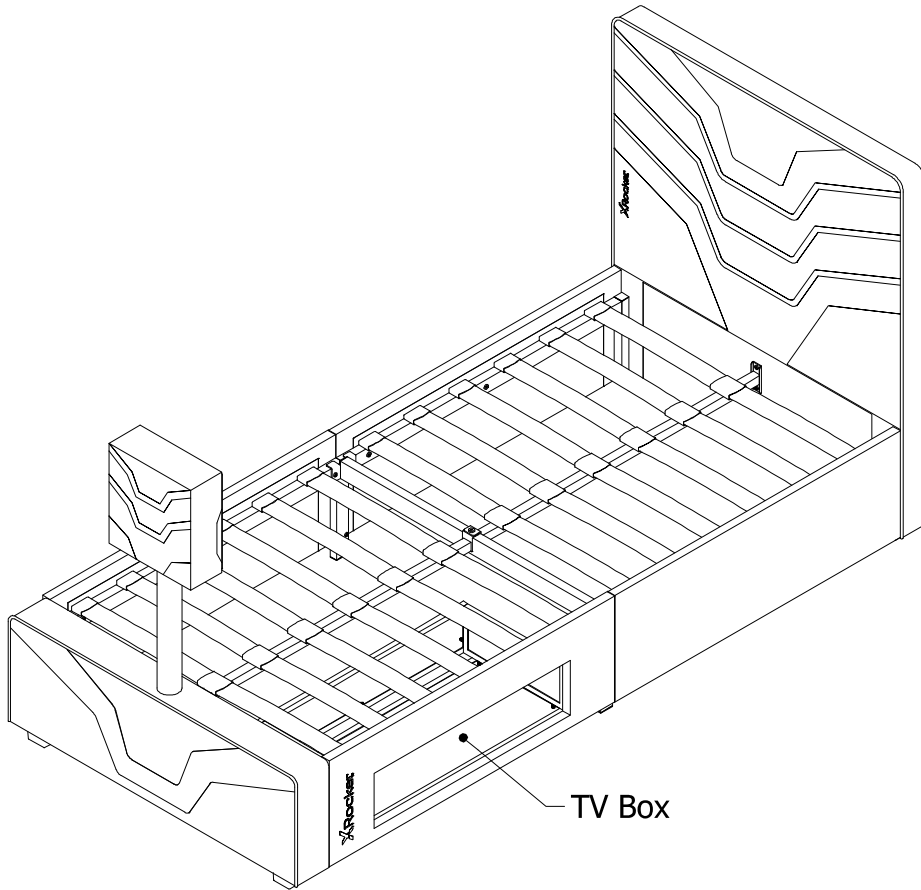


13

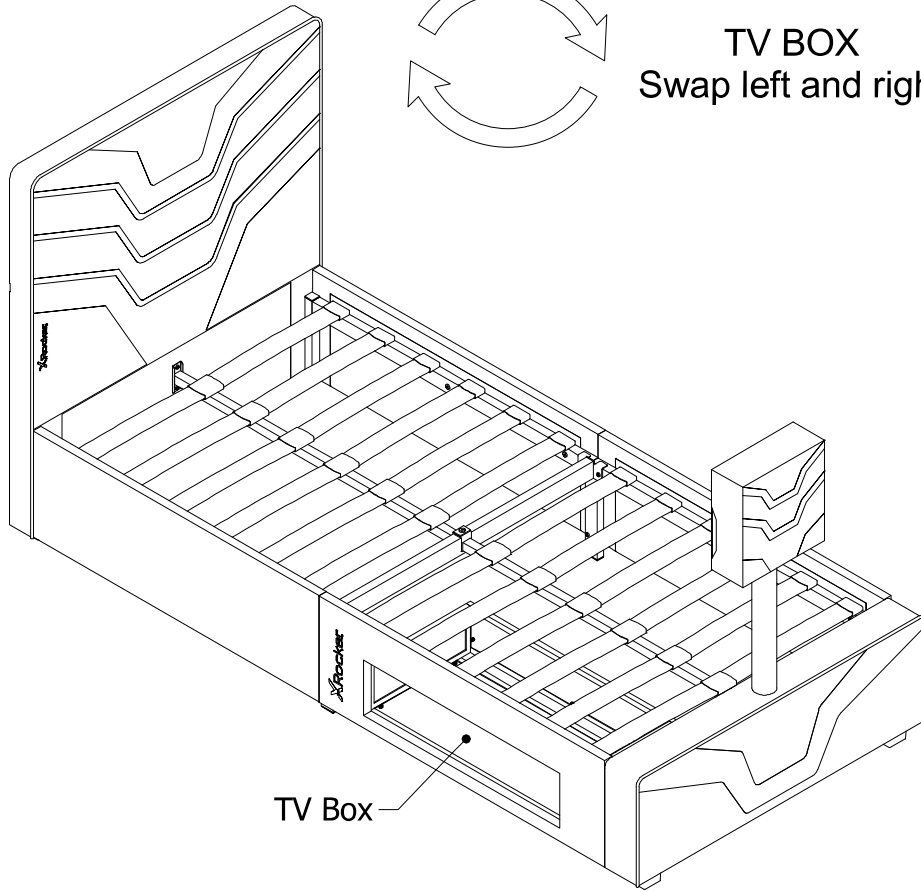


14



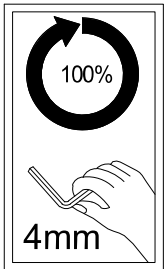


TV BOX
Swap left and right



TV Box

Assembly is complete



CONTROL SWITCH

STEUERSCHALTER | INTERRUPTEUR DE COMMANDE | INTERRUPTOR DE CONTROL | INTERRUTTORE DI CONTROLLO | SCHAKELAAR | KONTROLLBRYTARE | PRZEŁĄCZNIK KONTROLNY

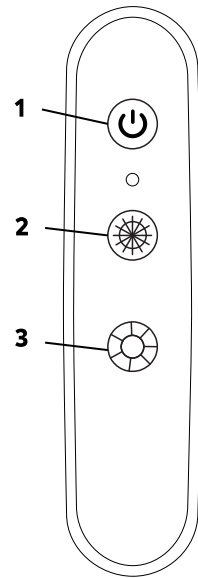
Instructions for use

1. Preparation before use:

- Please check that the USB is connected to a compatible power supply.
- After inserting the USB cable, the LED on the controller switch will flash a steady red, indicating that the device is powered on.

2. The control switch has three control buttons. The buttons functions are as follows:

- Button 1: ON/OFF
- Button 2: Change LED Effect
- Button 3: Switch Colour



TECHNICAL DATA

Article Number	SM-STP-DDG-A01
Dimensions	3600mm
LEDs	4PCS*LED 5050RGB
Capacity	2W
Protection Class	III
Degree of Protection	IP20
Operating Temperature	-10°to +60°C
LED Controller	Switch with Buttons
Rated Voltage	5VDC
Range	Max. 5 metres