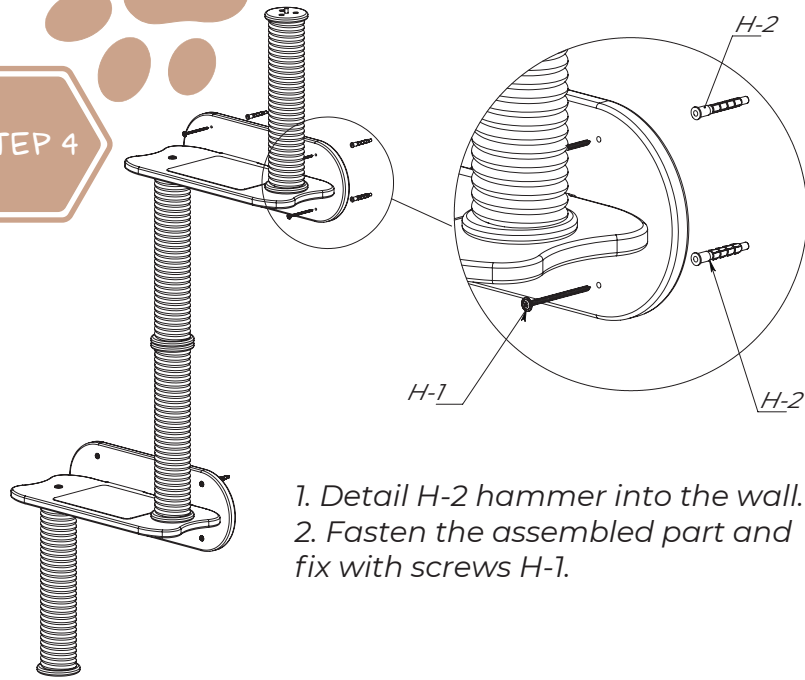


STEP 4



1. Detail H-2 hammer into the wall.
2. Fasten the assembled part and fix with screws H-1.

Our social media



@wowhelperco



<https://www.facebook.com/wowhelperco/>



<https://www.pinterest.com/PetsHelperCo/>



Instagram



Facebook



Pinterest



wowhelperco



Tower -  
Scratcher

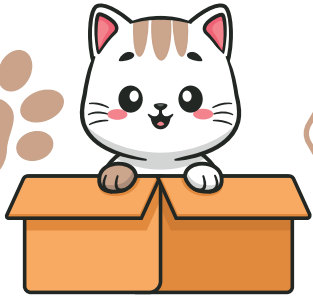


Email: [petshelperco@gmail.com](mailto:petshelperco@gmail.com)



Etsy





# ASSEMBLY PARTS

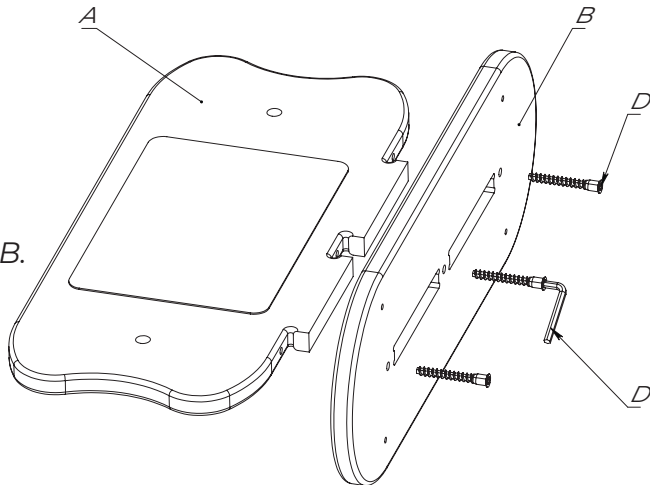


Video assembly

<p>A</p> <p>2pcs</p>	<p>B</p> <p>2pcs</p>	<p>C</p> <p>4pcs</p>		
<p>D</p> <p>6pcs</p>	<p>E</p> <p>4pcs</p>	<p>F</p> <p>4pcs</p>	<p>G</p> <p>2pcs</p>	<p>H</p> <p>H-1</p> <p>H-2</p> <p>8pcs</p>

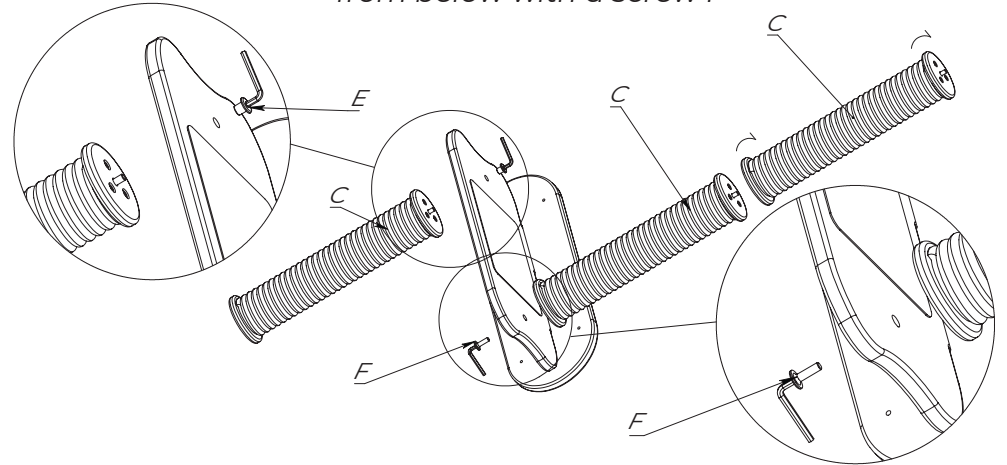
## STEP 1

1. Take the elements A, B.
2. Fasten the parts with (D) screws as shown in picture using the hex key (G).



## STEP 2

1. Take the elements (A+B), C.
2. Twist the two parts together by twisting clockwise, as shown in the picture
3. From above, fix part C with a nut E, and from below with a screw F



## STEP 3

The picture shows a variant of the assembly of the whole structure. Parts C can be interchanged. Nuts E and Screws F are used for fastening.

