

Our social media



@wowhelperco



<https://www.facebook.com/wowhelperco/>



<https://www.pinterest.com/PetsHelperCo/>



Instagram



Facebook



Pinterest



wowhelperco



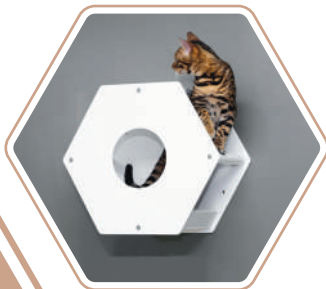
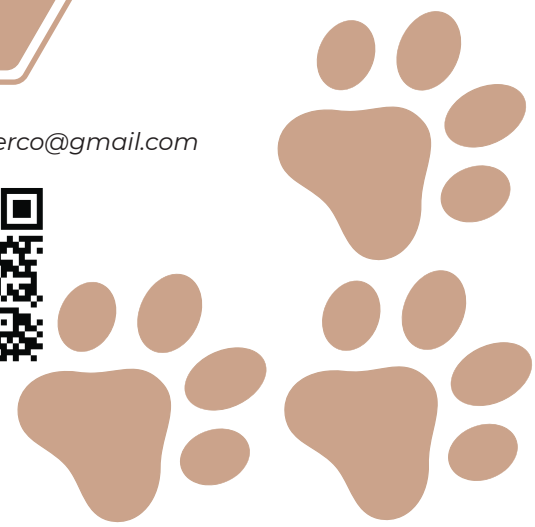
Round shelf with rope



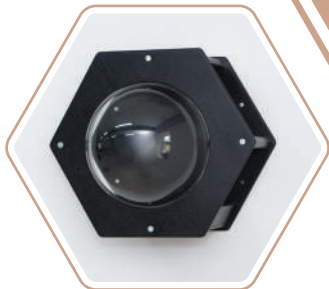
Email: [petshelperco@gmail.com](mailto:petshelperco@gmail.com)



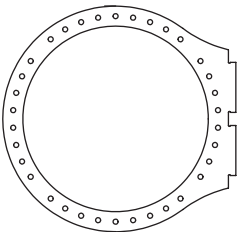
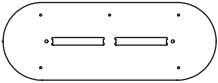


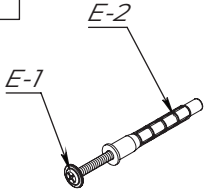
Etsy

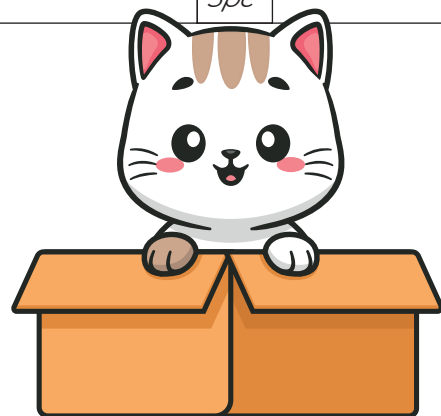


Make your cat happy with our other furniture



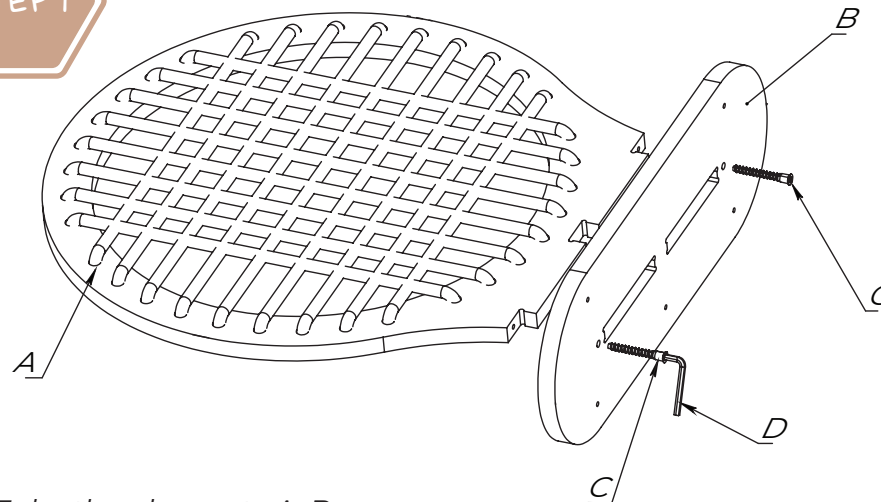
# ASSEMBLY PARTS

A		B	
1pc		1pc	
C		D	
2pc		1pc	
			5pc



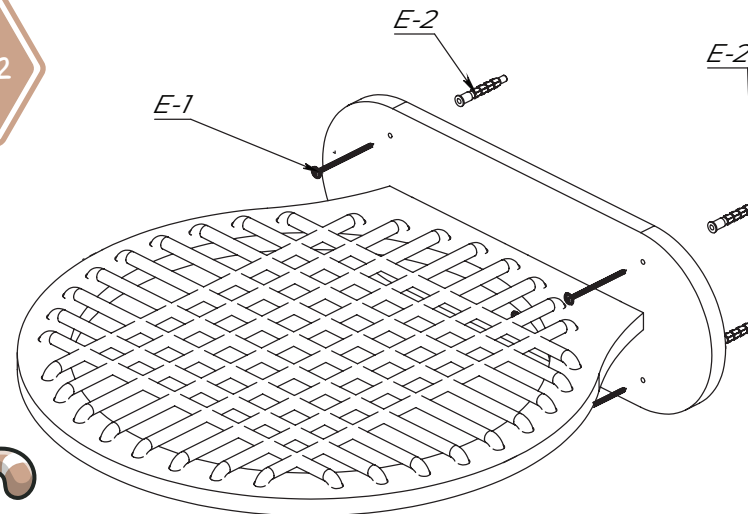
Video assembly

## STEP 1



1. Take the elements A, B.
2. Fasten the parts with (C) screws as shown in picture using the hex key (D).

## STEP 2



1. Detail F-1 hammer into the wall.
2. Fasten the assembled part and fix with screws F-2.

