



KION NORTH AMERICA

Counterbalanced Forklift 5,000 | 6,000 | 7,000 lbs. Capacity

KBG25/30/35
Series 6010 LPG Forklift Truck

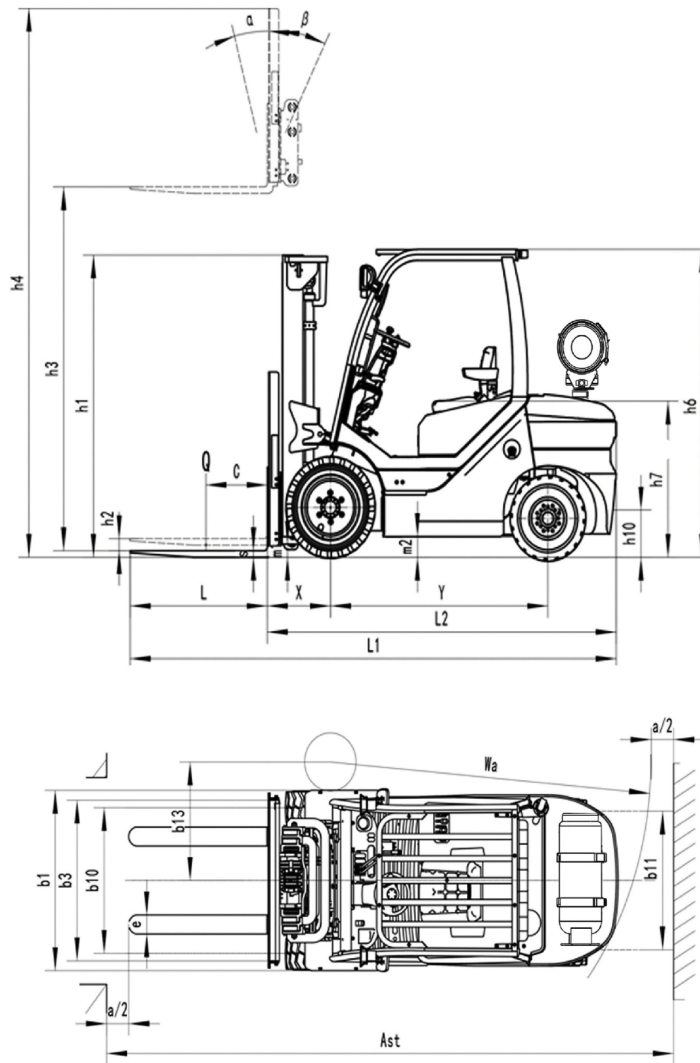


Technical Data

August 2019

	POS	ITEM DESCRIPTION	KBG25		KBG30		KBG35			
Specification	1.1	Manufacturer	BAOLI		BAOLI		BAOLI			
	1.2	Model designation	KBG25		KBG30		KBG35			
	1.3	Power unit	LPG		LPG		LPG			
	1.4	Operation	Rider Seated		Rider Seated		Rider Seated			
	1.5	Load Capacity	Q	5000 lbs	2270 kg	6000	2722	7000 lbs	3177 kg	
	1.6	Load center	c	24 in	600 mm	24	600	24 in	600 mm	
	1.8	Axle center to fork face	x	19 in	484 mm	19	484	19 in	484 mm	
	1.9	Wheelbase	y	67 in	1700 mm	67	1700	67 in	1700 mm	
	2.1	Service weight		9524 lbs	4320 kg	10318	4680	11199 lbs	5080 kg	
Weight	2.2.1	Axle weight with load, front		11244 lbs	5100 kg	15256	6920	16534 lbs	7500 kg	
	2.2.2	Axle weight with load, rear		2161 lbs	980 kg	1676	760	2072 lbs	940 kg	
	2.3.1	Axle weight without load, front		4542 lbs	2060 kg	4497	2040	4321 lbs	1960 kg	
	2.3.2	Axle weight without load, rear		4938 lbs	2240 kg	5820	2640	6877 lbs	3120 kg	
Wheels and Tires	3.1	Tire: SE=(superelastic), P=(pneumatic), C=(cushion)		P		P		P		
	3.2	Tire size, front		28X9X15-14		28X9X15-14		28X9X15-14		
	3.3	Tire size, rear		6.50X10X10		6.50X10X10		6.50X10X10		
	3.5	Wheels, number front/rear (X=drive)		2X/2		2X/2		2X/2		
	3.6	Track width, front	b ₁₀	39 in	1000 mm	39	1000	42 in	1060 mm	
	3.7	Track width, rear	b ₁₁	38 in	970 mm	38	970	38 in	970 mm	
	4.1	Mast tilt, forward/backward	°	6°/6°		6°/6°		6°/6°		
	4.2	Height of mast, lowered	h ₁	90 in	2280 mm	90	2280	90 in	2280 mm	
	4.3	Free lift	h ₂	50 in	1260 mm	50	1260	41 in	1052 mm	
	4.4	Lift	h ₃	189 in	4800 mm	189	4800	189 in	4800 mm	
Dimensions and Overall Sizes	4.5	Height of mast, extended	h ₄	230 in	5840 mm	230	5840	239 in	6073 mm	
	4.7	Height of overhead guard (cabin)	h ₅	83 in	2108 mm	83	2108	83 in	2108 mm	
	4.8	Height of drive seat	h ₇	43 in	1085 mm	43	1085	43 in	1085 mm	
	4.12	Tow coupling height	h ₁₀	12 in	300 mm	12	300	12 in	300 mm	
	4.19	Overall length	l ₁	156 in	3955 mm	158	4005	162 in	4105 mm	
	4.20	Length to fork face	l ₂	105 in	2665 mm	107	2715	111 in	2815 mm	
	4.21	Overall width	b ₁ / b ₂	48 in	1225 mm	48	1225	51 in	1295 mm	
	4.22	Fork dimensions SxExL	s/e/l	1.5/4/48 in	38/102/1219 mm	1.75/5/48	44/127/1219	1.75/5/48 in	44/127/1219 mm	
	4.24	Width of fork carriage	b ₃	41 in	1040 mm	43	1100	43 in	1100 mm	
	4.31	Ground clearance with load, mast	m ₁	5 in	135 mm	5	135	5 in	135 mm	
	4.32	Ground clearance with load, center of wheelbase	m ₂	6 in	140 mm	6	140	6 in	140 mm	
	4.33	Aisle width, 48" (1220mm) load & 8" (200mm) clearance	Ast	162 in	4124 mm	163	4144	166 in	4224 mm	
	4.34	Aisle width, add load & operational clearance	Ast	106 in	2709 mm	107	2729	118 in	2809 mm	
	4.35	Turning radius	Wa	96 in	2440 mm	97	2460	100 in	2540 mm	
	4.36	Minimum pivoting point distance	b ₁₃	32 in	810 mm	32	810	32 in	810 mm	
	Performance	5.1.1	Travel speed, with load		10.6 mph	17 kmh	10.6	17	10.6 mph	17 kmh
		5.1.2	Travel speed, without load		11.2 mph	18 kmh	11.2	18	11.2 mph	18 kmh
5.2.1		Lifting speed, with load		101.2 fpm	0.51 m/s	100.4	0.51	102.9 fpm	0.52 m/s	
5.2.2		Lifting speed, without load		133.8 fpm	0.68 m/s	129.9	0.66	133.8 fpm	0.68 m/s	
5.3.1		Lowering speed, with load		84.6 fpm	0.43 m/s	92.5	0.47	92.5 fpm	0.47 m/s	
5.3.2		Lowering speed, without load		76.8 fpm	0.39 m/s	74.8	0.38	86.6 fpm	0.44 m/s	
5.5.1		Tractive force, with load		3821 lbf	17000 N	3821	17000	3821 lbf	17000 N	
5.5.2		Tractive force, without load		2922 lbf	13000 N	2922	13000	2922 lbf	13000 N	
5.7.1		Climbing ability, with load		20 %		20 %		20 %		
5.7.2		Climbing ability, without load		20 %		20 %		20 %		
5.10	Service brake		Mechanical / Hydraulic		Mechanical / Hydraulic		Mechanical / Hydraulic			
Engine	7.1	Engine manufacturer/type		IMPCO K25		IMPCO K25		IMPCO K25		
	7.2	Engine rated power according to ISO 1585		59 hp	44 kw	59	44	59 hp	44 kw	
	7.3	Rated speed		2700 rpm		2700		2700 rpm		
	7.4	Number of cylinders/displacement		4/152.5 cu3	4/2500 cc	4/152.5	4/2500	4/152.5 cu3	4/2500 cc	
Other	8.1	Type of drive control		Torque Converter		Torque Converter		Torque Converter		
	8.2	Working pressure for attachments		175 psi	2530 bar	175	2530	175 psi	2530 bar	

NOTICE: Our products are continuously being improved; all conditions, terms, and specifications are subject to change at any time.



*Refer to Technical Data Chart

Standard Equipment

- IMPCO K25 Engine
- Pneumatic tires
- 6° forward, 6° backward tilt
- Cab configurable, 83" high overhead guard
- Entry grip on overhead guard
- Left and right external rear-view mirrors
- Three individual hydraulic control levers
- Three function valve and reeving
- Neoprene mounted steer axle
- Tilting, adjustable steering column
- Comfort suspension seat with orange seat belt
- Seatbelt interlock
- Rear road lights (brake, reverse, turn signals)
- LED twin spotlights forward - OHG-mounted
- Reflective silver stripe and rear logo decal
- Back-up alarm and strobe light
- Swing down LPG bottle bracket
- High air intake
- Rear pillar assist handle with horn



Comfort & Convenience

The KBG line is equipped with many operator comfort and convenience features at no extra cost. The fully suspended and cushioned operator compartment, super elastic tires, adjustable comfort suspension seat, and tilt steering column provide a more comfortable ride while accommodating different operators. Dual rear-view mirrors, LED work lights and a rear pillar assist handle with horn are among the work assist features on this model.



Easy Maintenance

- 500-hour maintenance interval
- Single-side engine maintenance
- Engine hood opens to nearly 90 degrees
- Onboard diagnostics



Options

- Simplex, duplex, and triplex masts
- Solid pneumatic (SE) tires
- Six-roller fork carriage
- Integral or hang-on sideshifter
- 36", 42", or 48" forks
- Load backrest
- 4th-function hydraulics with four individual mechanical levers
- Blue spotlight rear – OHG mounted
- LED single spotlight rear – OHG mounted
- Full cab with heater (front/rear windows, wipers, right/left doors with glass, overhead light)
- Half-cabin
- High-mounted air precleaner
- Non-marking tires
- Compartment fan
- Fire extinguisher



Baoli Red (standard)



Baoli Blue (optional)



Baoli Orange (optional)

Service Network

Fully integrated into the KION North America supply chain and service system, Baoli provides shared resources from KION brands which offers a well-developed sales and service network. Baoli spare parts are in stock at the KION North America warehouse. Stocked parts are shipped the same day the dealer places the order.

KION North America Corporation
 2450 West 5th North Street, Summerville, SC 29483
 Phone: 843 875 8000 Truck Sales Fax: 843 875 8471
 E-mail: trucksales.na@kiongroup.com
 www.kion-na.com

