

OPSM Light Type Order-picking Truck

Characteristics

1. The width of the passageway is only 1 meter and the turning passageway is 2 meters. The truck is compact, and it can easily pass through the workshop aisle and low doors, which can widely be used in retail, storage center, library and other narrow spaces;
2. The truck features electric lifting and travelling. When the lifting height is more than 0.5m, the truck will automatically decelerate which not only saves time and labor but also be safe and stable;
3. The front tray can adjust its height freely to realize the convenient storage of large and small goods;
4. The truck adopts double safety protection measures. When the driver's hands or feet extend out of the truck body, the truck will stop driving to avoid pinching the driver;
5. Independent fingertip control system, including control on acceleration, lifting, tortoise speed, emergency stop is comfortable for operation.

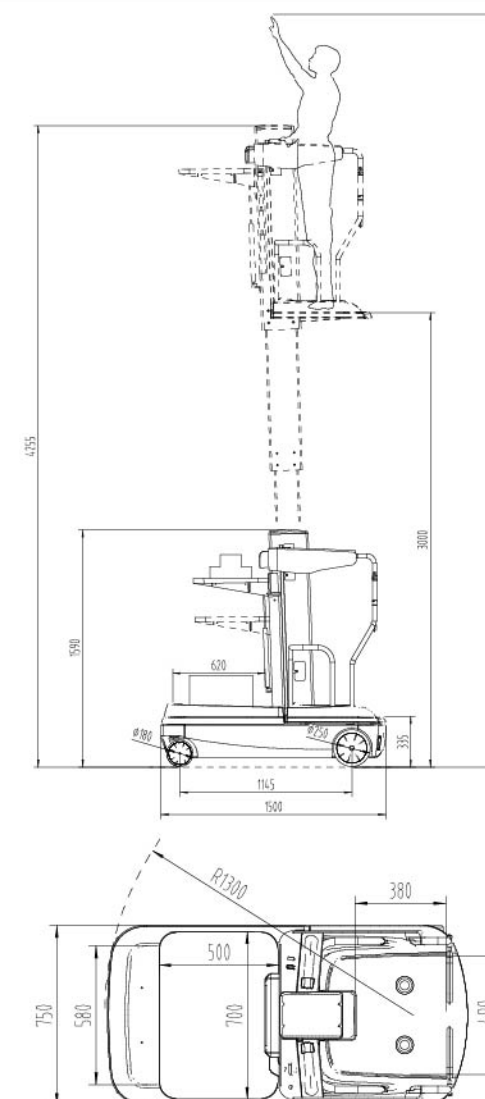


OPSM

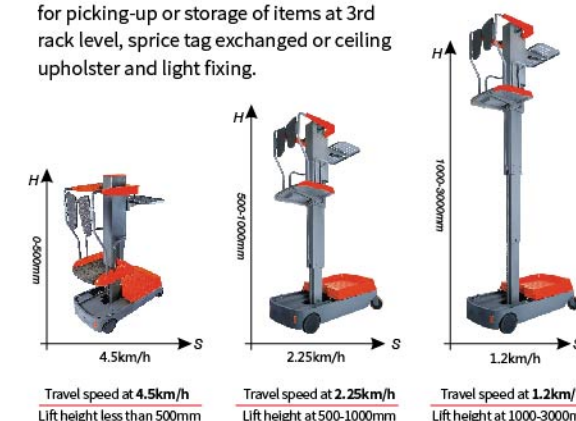
Product characteristics table

Characteristics		
1.1	Model	OPSM
1.2	Operator type	Stand-on
1.3	Load capacity of loading tray	lbs 200
1.4	Load capacity of loading dock	lbs 330
1.5	Load capacity of cab	lbs 285
1.6	Service weight with battery	lbs 1650/1690
1.7	Wheel base	in 45.1
Wheels		
2.1	Wheels type	PU
2.2	Wheels size(Front)	in 7.1x2
2.3	Wheels size(Rear)	in 9.8X2.4
2.4	Wheel quantity (Front/Rear)	2/2x
2.5	Front wheel base of bearing	in 23.6
2.6	Rear wheel base of driving	in 26.8
Dimension		
3.1	Pallet adjustment height range	H2(in) 10.2
3.2	Lifting height of platform	H12(in) 118.1
3.3	Pick up height	H13(in) ≈196.9
3.4	Pallet size	in 27.6x19.7
3.5	Overall height	H1(in) 62.6
3.6	Overall length	L1(in) 59.1
3.7	Overall width	b1(in) 29.5
3.8	Turning radius	Wa(in) 51.2
3.9	Aisle width	Ast(in) 68.9
3.10	Ground clearance,center of wheelbase	m2(in) 2.6
Performance		
4.1	Travel speed,laden/unladen	mph 2.8
4.2	Lift speed, laden/unladen	fpm 27.6
4.3	Lowering speed, laden/unladen	fpm 25.6
4.4	Max.gradeability,laden/unladen	% 5
4.5	Type of service brake	/ Electromagnetic brake
Motor and batter		
5.1	Drive motor power,60min	HP 0.67
5.2	Lifting motor power,15min	HP 2.9
5.3	Battery voltage/capacity	V/Ah 24V/105(250)Ah
5.4	Battery size(length X Wigth X Height)	in 10.2x6.6(7.1)x8.5(10.8)
5.5	Battery weight	lbs 55x2(75x4)
Others		
6.1	Type of drive control	DC
6.2	Sound pressure level at driver's ear	Db(A) ≤70
6.3	Steering type	Electric

OPSM Dimensions



The picking height can reach to 5m, easy for picking-up or storage of items at 3rd rack level, sprice tag exchanged or ceiling upholster and light fixing.



HELI AMERICA INC

ADD: 4025 Welcome All Road, Suite 150 Atlanta, GA30349, U.S.A.

E-MAIL:heli@heliforkliftamerica.com

TEL: 404-242-3288

* Our products are subject to improvements and changes without notice.

Catalog No.211206 Fokeli Print