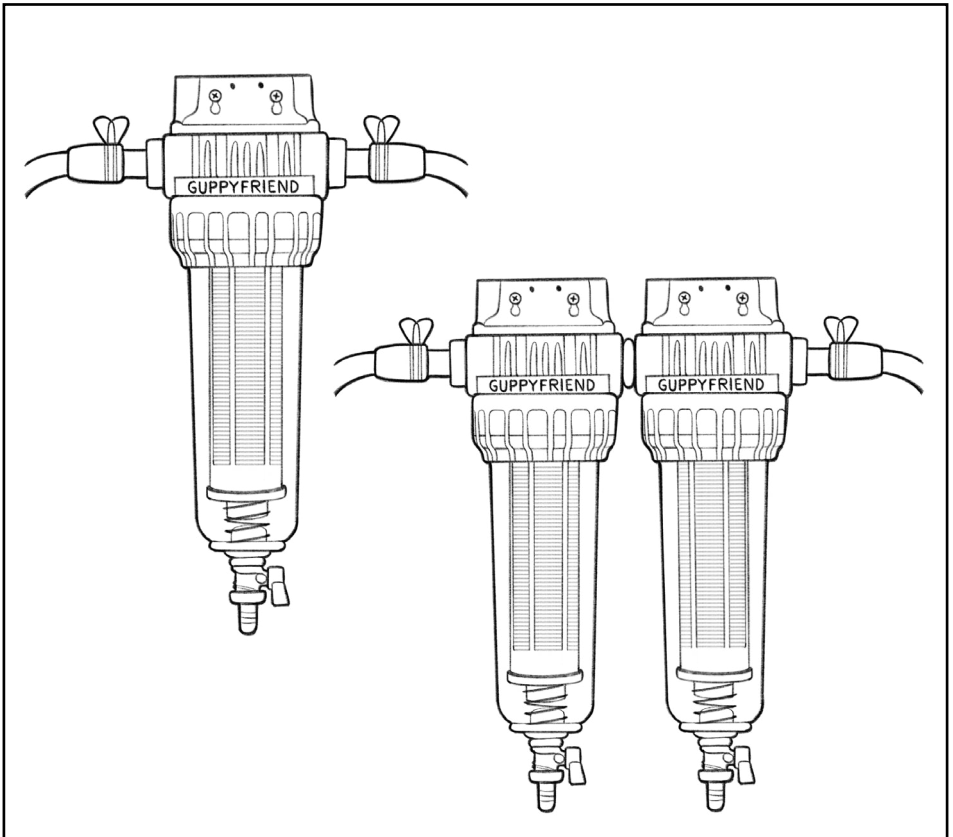


**GUPPY  
FRIEND®**

**Microplastic Filter  
for Washing Machines**  
*Instructions for use*



**Mikroplastikfilter  
für Waschmaschinen**  
*Bedienungsanleitung*

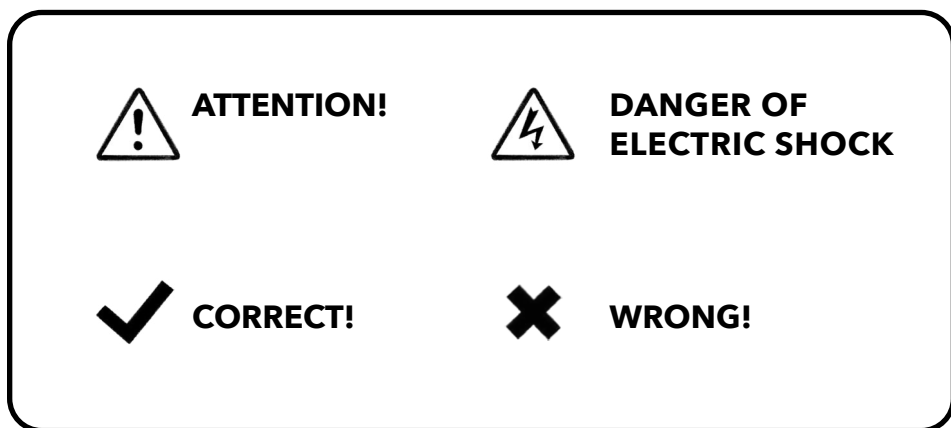
Starter Kit

Plus Kit

## Contents

1. Important safety instructions .....	3
2. Intended use .....	4
3. Content of packaging .....	7
4. Mounting and Installation .....	8
5. Use, care and cleaning .....	12
6. Disposal and environmental protection .....	16
7. Troubleshooting .....	18

### Legende:

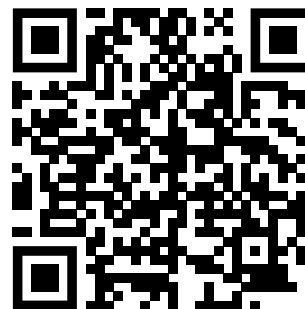


## 1. Important safety instructions

Before installation and operation, you should read these operating instructions in full. **GUPPYFRIEND** and the suppliers involved in this product are not responsible for damage caused by improper installation or incorrect use of this product. Please keep this manual for future reference.

*This water filter has been manufactured to filter textile fibers from the wastewater of standard household washing machines and should not be used for any other purpose.*

*The QR code gives you direct access to further information and general safety instructions:*



<b>DE</b>	Wichtige Hinweise und Bedienungsanleitung
<b>EN</b>	Important notes and operating instructions
<b>FR</b>	Informations importantes et mode d'emploi
<b>ES</b>	Información importante e instrucciones de uso
<b>IT</b>	Informazioni importanti e istruzioni per l'uso
<b>DK</b>	Vigtig information og betjeningsvejledning
<b>SWE</b>	Viktig information och bruksanvisning

*General safety instructions can also be found under the following link:*  
<https://en.guppyfriend.com/pages/washing-machine-filter/>

## 2. Intended use

The **GUPPYFRIEND** washing machine filter is an external water filter for filtering wastewater from standard household washing machines. It is installed as a retrofit in the wastewater line.

The **GUPPYFRIEND** washing machine filter can be used either as a single product (Starter Kit) or as a row of several filters (Plus Kit). The order of the filters in the direction of the wastewater flow from coarse (largest mesh size) to fine (smallest mesh size).



### **ATTENTION:**

If the washing machine's internal wastewater pump does not reach the necessary pressure required for the wastewater filtration, it may be necessary to install an additional pump.

Commercially available washing machines for private use usually do not have wastewater filtration. As a result, dirt, fibers and microplastic particles from detergents and synthetic clothing are released into the household wastewater, which cannot be completely filtered out in wastewater treatment plants, even modern ones.

The resulting environmental pollution can be reduced by using additional filters installed externally in the wastewater line.

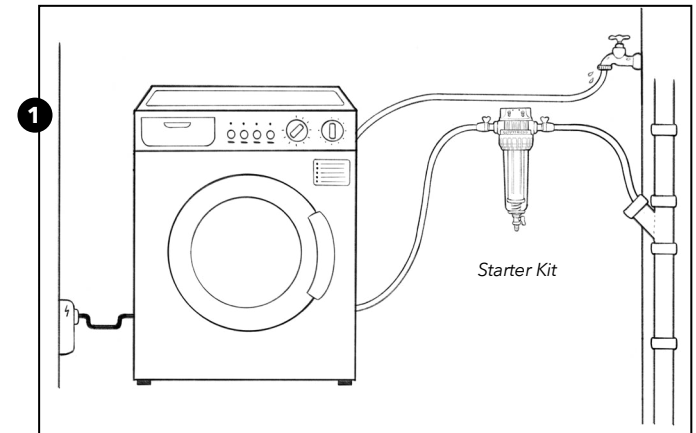
**As a rule:** finer filters used at the point of the microplastic output lower the amount of microplastics emitted and therefore the environmental impact.

Since the surface of the filter can quickly become clogged with high particle output (dirt, fibers and microplastics), a compromise must be made between a reasonable cleaning interval and the best possible or most effective filtration. This can be achieved by connecting several filters with different mesh sizes in a row.

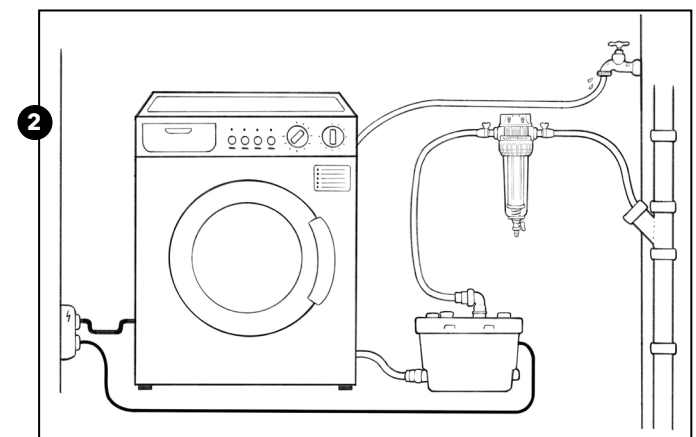
## These installation options are intended for the Starter Set and Pro Set:

### 2.1 Starter Kit

**1** Sufficiently powerful wastewater pump and single filter:  
**Starter Kit**

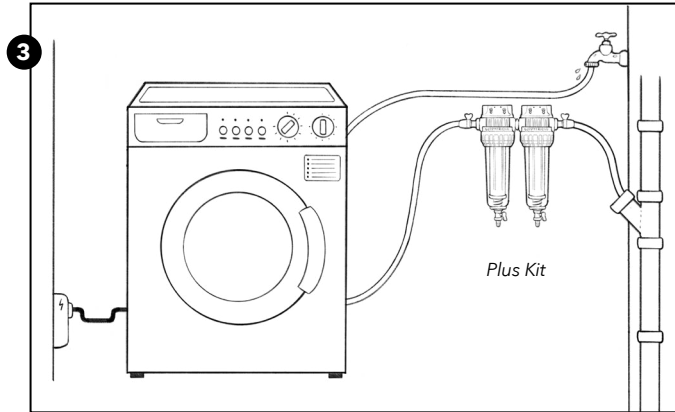


**2** If the washing machine only has a low-power wastewater pump, an additional external pump (not included in the kit) must be installed upstream of the filter in the wastewater line.

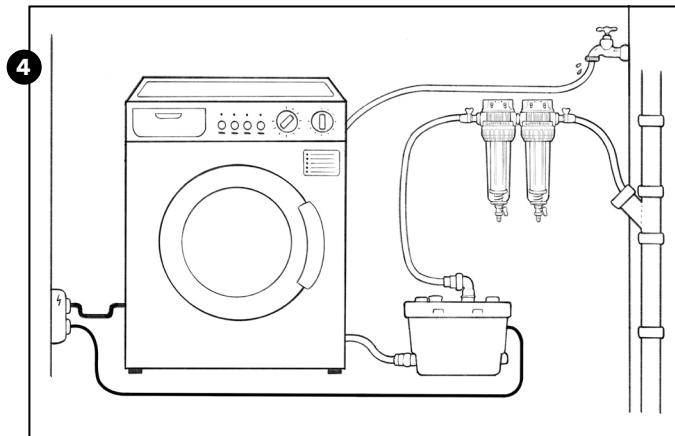


## 2.2 Plus Kit

**3** Sufficiently powerful wastewater pump and two filters (very fine + fine): **Plus Kit.**



**4** If the washing machine only has a low-power wastewater pump, an additional external pump (not included in the kit) must be installed before the filter in the wastewater line

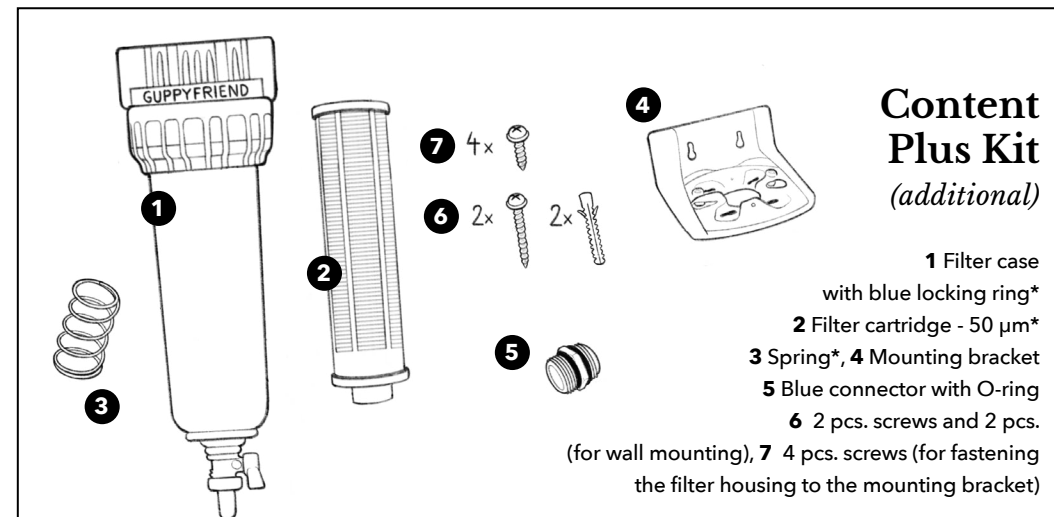
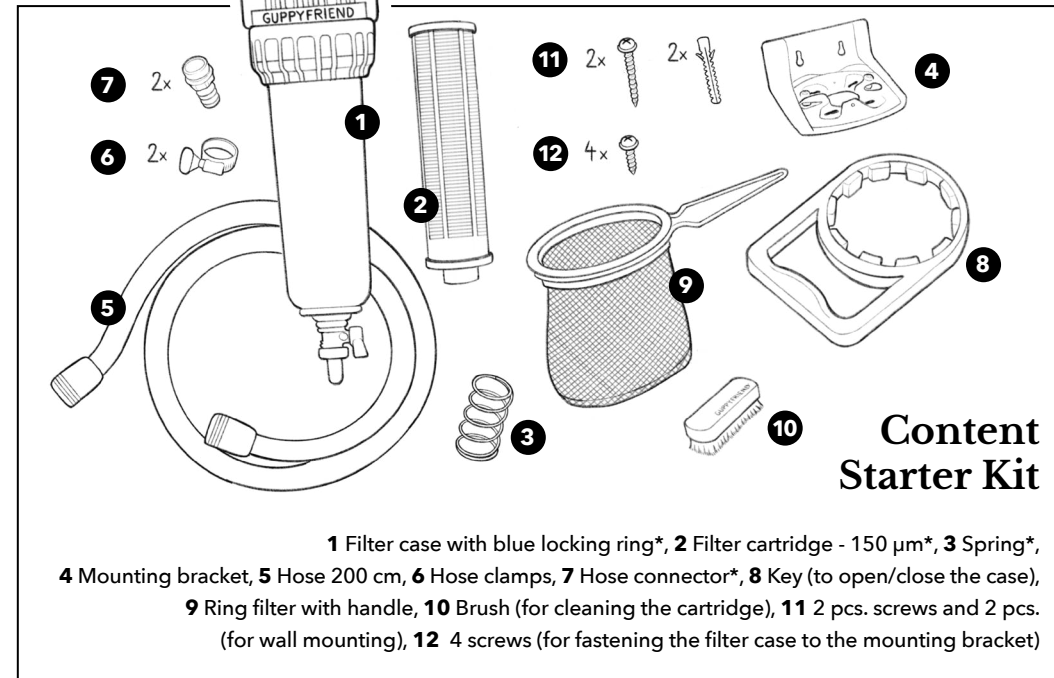


### WARNING:

Chocking Hazard. Small Parts.  
Keep away from children and pets.

## 3. Content of packaging

Before installation, check the package contents for completeness:

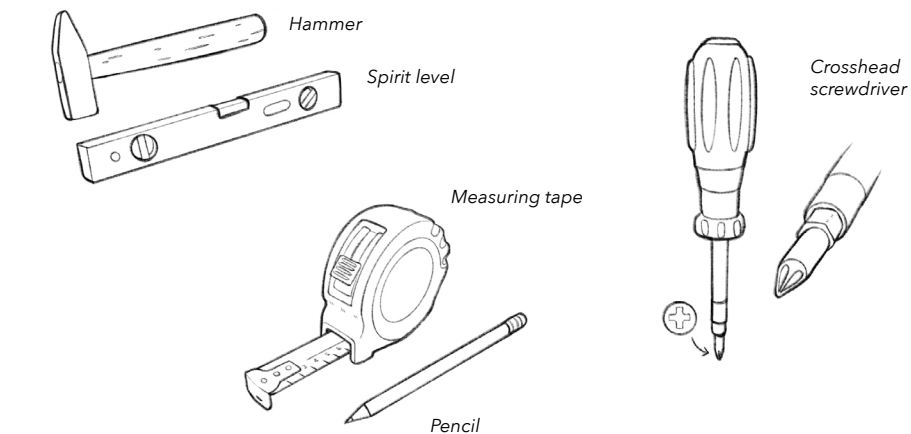
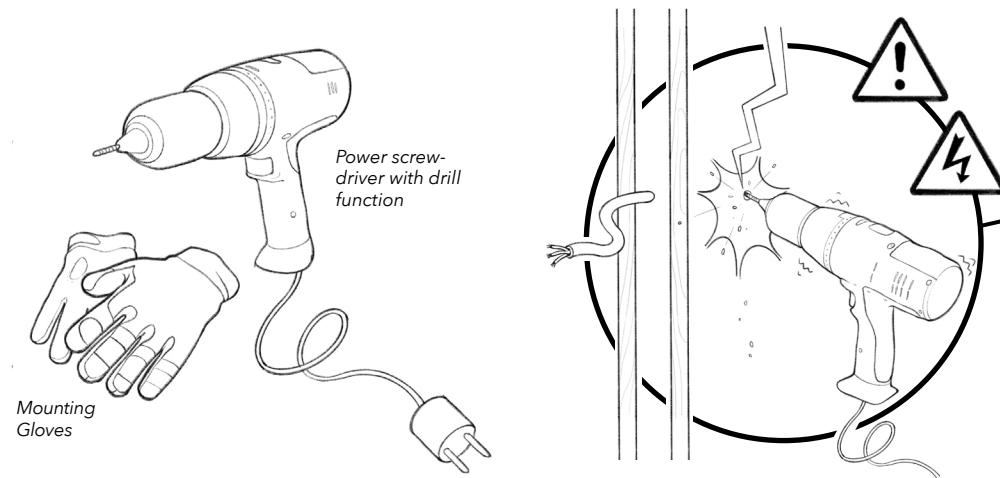


\*pre-assembled

# 4. Mounting and Installation

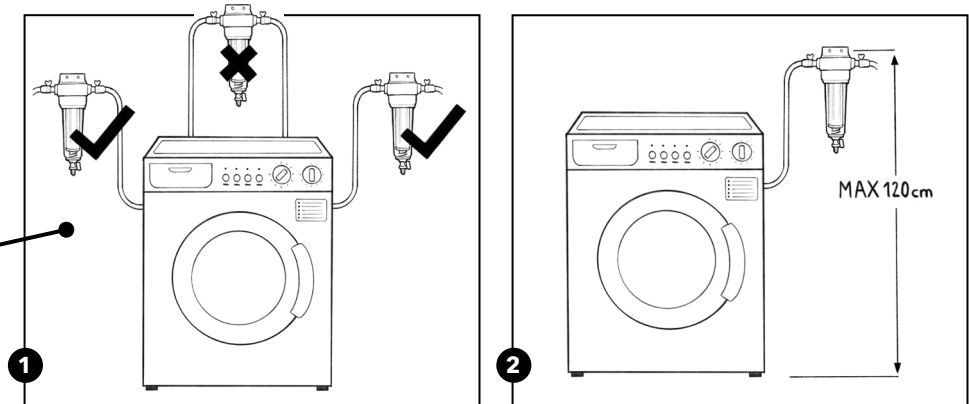
## 4.1 Required Tools

The installation of the filter case should be done by a person skilled in the field, using appropriate professional tools. Improper installation may result in flooding.

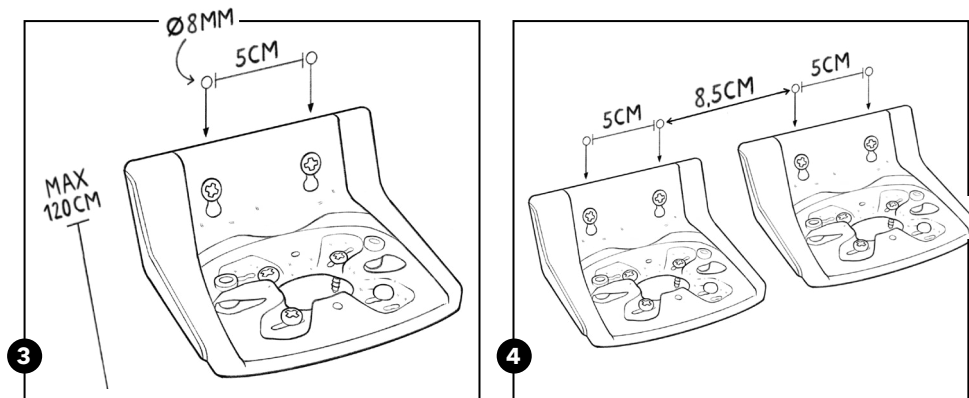


## 4.2 Wall mounting (CAUTION: Electric Wires)

The filter case must be mounted on a stable and easily accessible surface/wall. A suitable fastener must be selected for each material. Choose one for each material (The enclosed dowels may not be suitable for all surfaces). Before drilling, make sure that there are no electrical wires or water pipes. The filter case must not be installed directly over or above a socket or other electrical equipment.

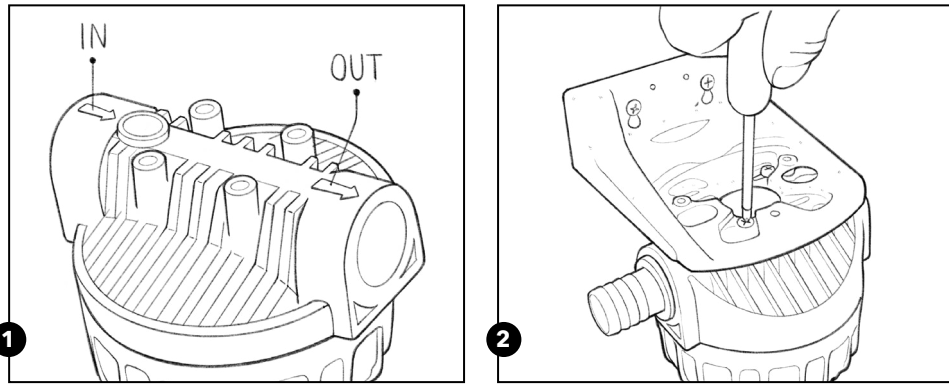


**1** The installation should be next to and not above the washing machine. **2** Due to the limited pump capacity of some washing machines, the installation height should not exceed 120 cm / 48 in. If possible, a lower installation height is preferable. Please ensure that there is sufficient space under the filter for emptying and cleaning the filter case.



**3** The holes must be drilled horizontally and in accordance with the mounting brackets. **4** For the Plus Kit, the spacing must be carried out accordingly.

### 4.3 Mounting the case on the wall bracket (pay attention to direction)

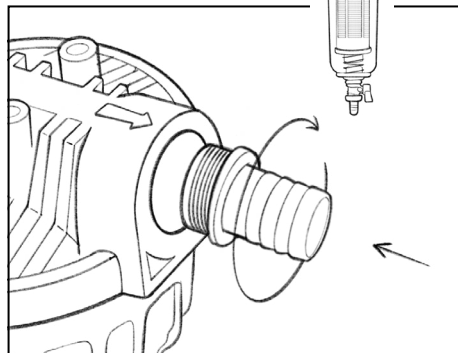


**1** Before installation, pay attention to the flow direction (IN/OUT). **2** Use the four enclosed screws (cross/phillips) to fix the filter cartridge to the wall bracket.

### 4.4 Screw in hose connection

Hose connections are pre-assembled. Both connections must be tightened again.

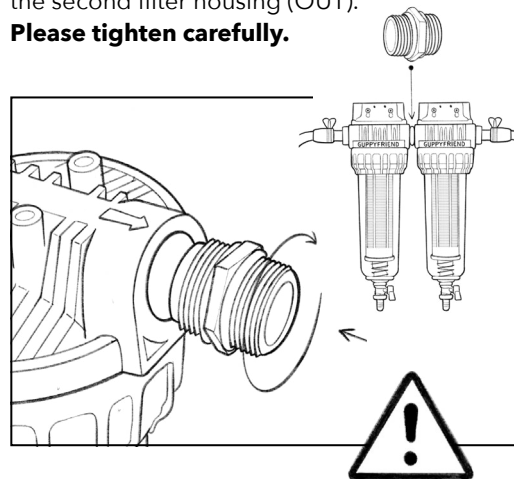
**Please tighten by hand (without pliers).**



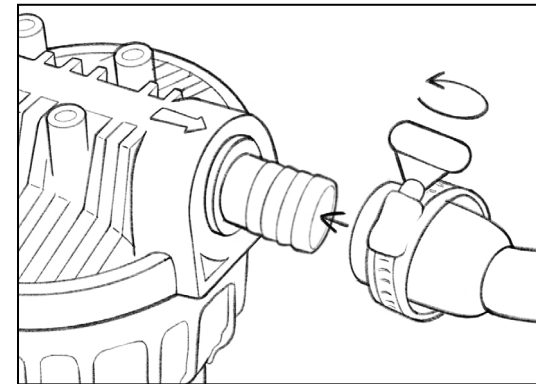
### 4.5 Screw in the connection (only with Plus Kit)

Remove the pre-assembled hose connector (OUT) and screw in the connecting screw. Attach the dismantled hose connection to the second filter housing (OUT).

**Please tighten carefully.**



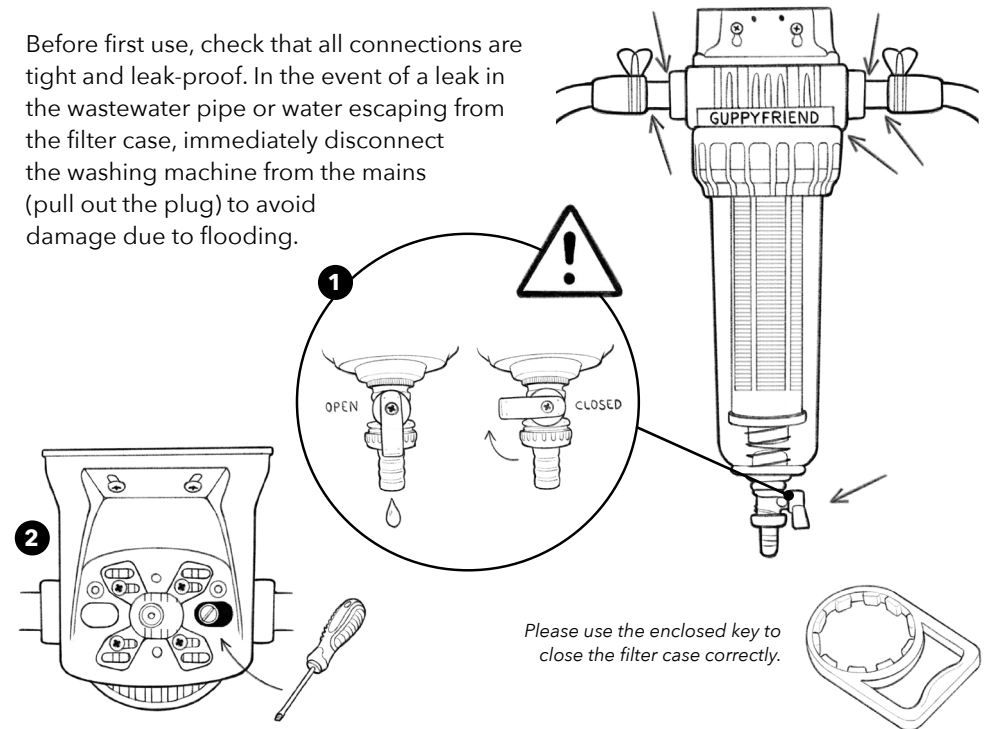
### 4.6 Attaching the hose & hose clamps



Attach the washing machine wastewater hose to the "IN" connection of the filter case and hand-tighten with one of the enclosed hose clamps. Attach the enclosed hose to the opposite "OUT" connection accordingly and connect it securely to the wastewater pipe.

### 4.7 Check for leaks

Before first use, check that all connections are tight and leak-proof. In the event of a leak in the wastewater pipe or water escaping from the filter case, immediately disconnect the washing machine from the mains (pull out the plug) to avoid damage due to flooding.



Please use the enclosed key to close the filter case correctly.

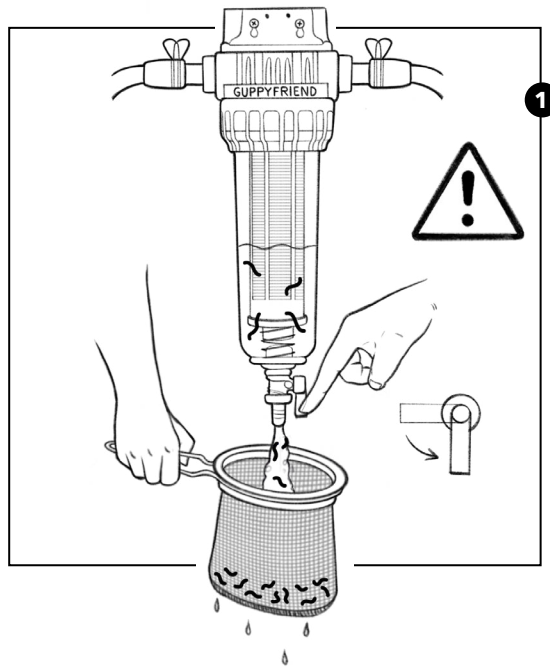
**1** The drain tap must always be closed before washing (red lever in horizontal position). Please use the enclosed key to close the filter case correctly. **2** The pre-installed golden screw at the top must be checked and eventually tightened.

## 5. Use, Care & Cleaning

### 5.1 Emptying

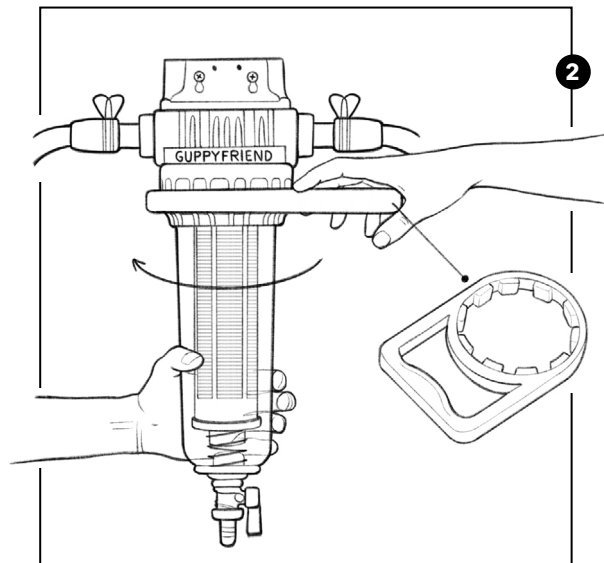
**1** Depending on the soiling and microplastic output of the laundry, washing programs can clog the surface of the filter cartridge after 1-5 washing cycles. For intermediate cleaning, the wastewater remaining in the filter case can be drained and filtered with the enclosed ring filter.

**CAUTION:** Do not open the drain tap while the wash cycle is running.



**2** The case can be opened with the enclosed key.

To do this, turn the locking ring as shown (direction of rotation right) and remove the transparent part together with the cartridge.

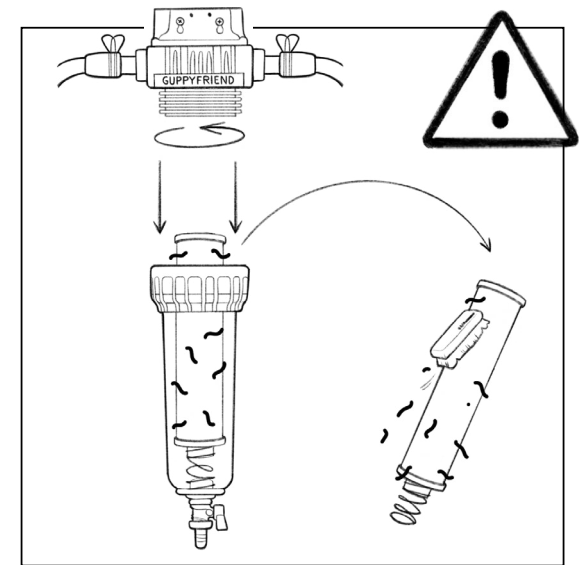


### 5.2 Cleaning the cartridge

Remove the cartridge from the filter case and clean it carefully with the enclosed cleaning brush.

**ATTENTION:**

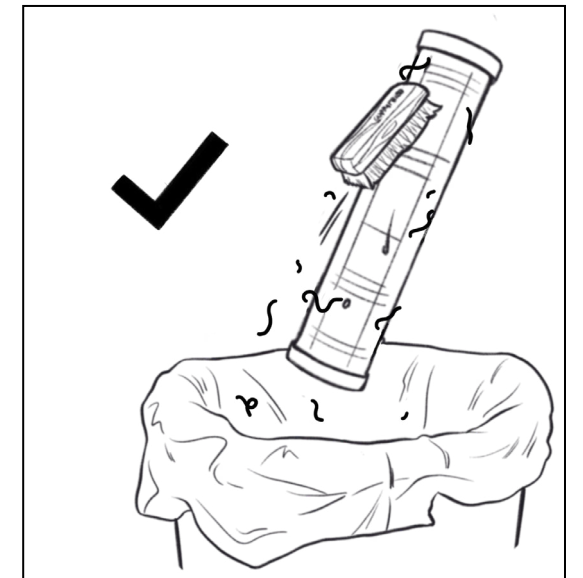
Do not damage the filter fabric on the cartridge.



### Brushing off the cartridge

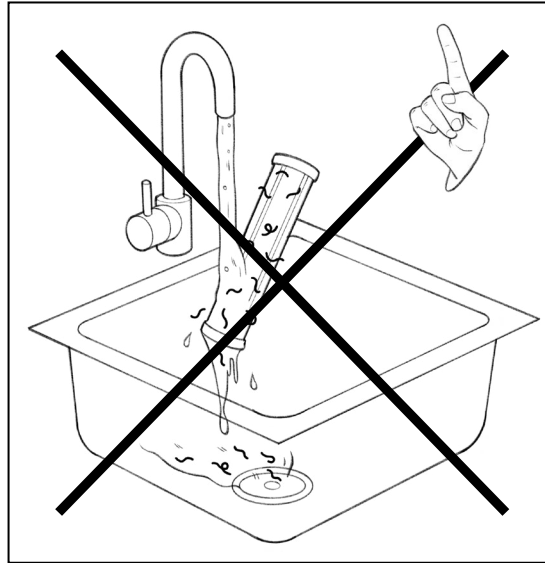
Brush the filter cartridge lengthwise from top to bottom without changing direction. The filter residues must be disposed of in the residual waste.

Due to the different surface treatments of textiles, the filter residues may contain harmful substances and should be disposed of immediately and not stored openly.

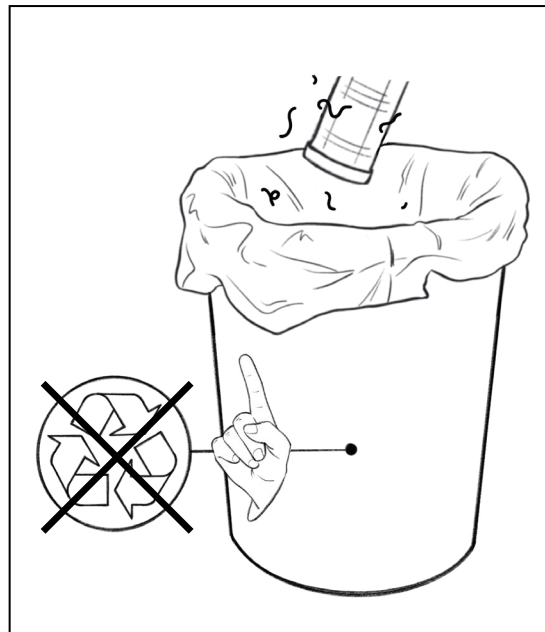


**Do not rinse!**

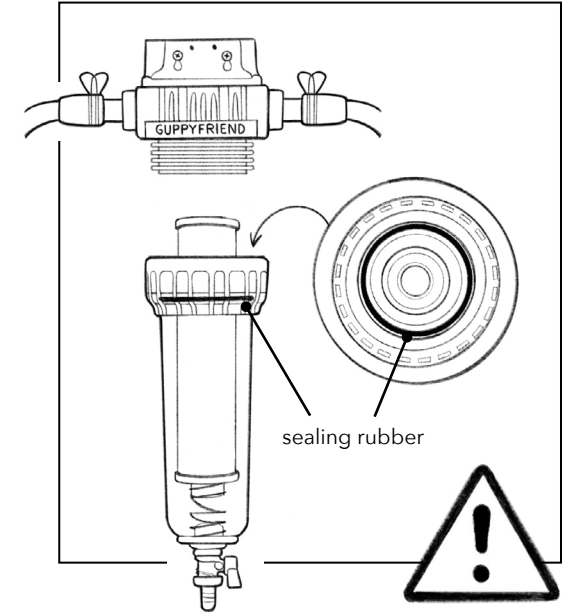
Do not clean the cartridge under running water, otherwise the previously filtered microplastics will enter the wastewater again. If rinsing is necessary (e.g. in case of heavy incrustations), the rinsing water must be filtered before disposal.

**No recycling**

The filtered particles contain very different materials and are not suitable for recycling.

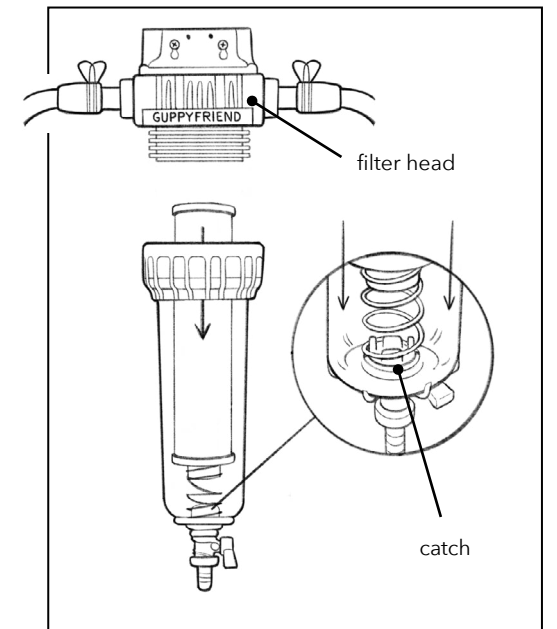
**5.3 Reinstalling the cartridge****Caution: Check the fit of the sealing rubber.**

Before closing the case, make sure that the case sealing rubber is securely seated.

**Be careful when inserting**

Insert the cartridge into the transparent filter case with the spring pointing downwards. Inside the case, place the spring in the catch provided for it.

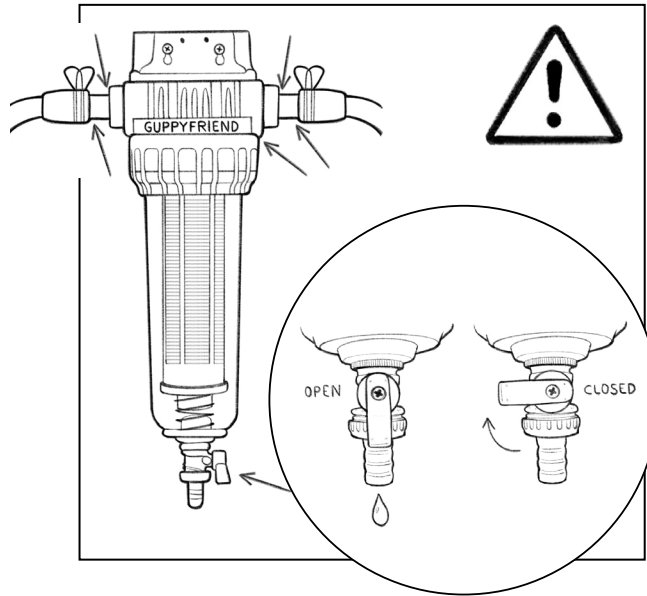
To close the washing machine filter, insert the transparent case with cartridge and spring from below into the filter head. The transparent filter case is attached to the filter head with the locking ring. Make sure that the screw connection is straight and secure.





### Close drain tap

After each cleaning of the filter, ensure that the case is securely closed and the drain cock is fully closed before putting the filter back into operation.



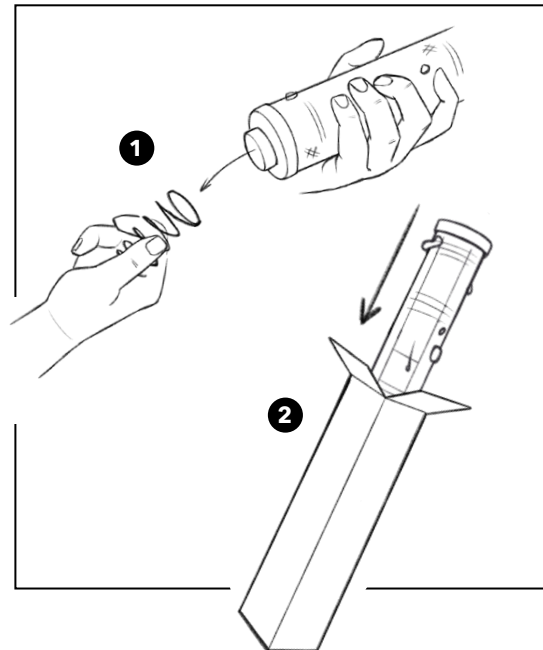
## 6. Disposal and environmental protection

### 6.1 Return shipment for recycling possible

If it is possible to return the used cartridge, it can be repaired and reused. Carefully remove the **1** metal spring and **2** return the old cartridge in the outer carton of the new cartridge.

#### Return address for used or defective cartridges:

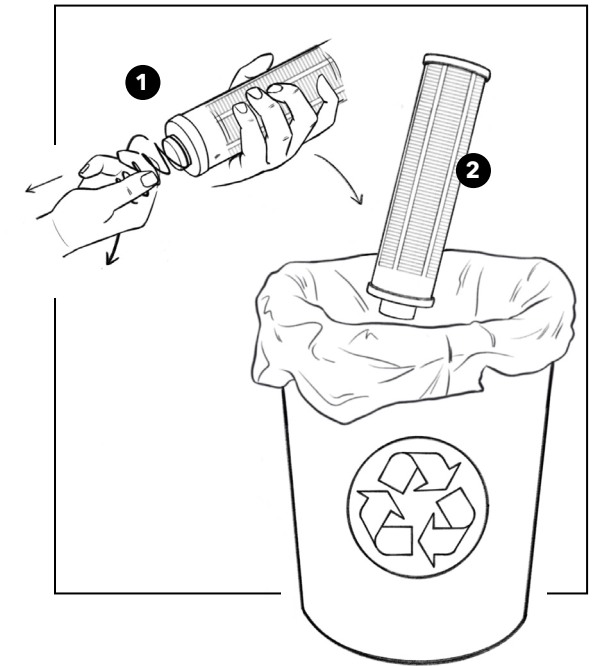
LANGBRETT® GmbH  
Eberswalder Straße 29,  
10437 Berlin, Germany



### 6.2 Disposal

**1** For disposal, remove the metal spring and reuse for the new cartridge.

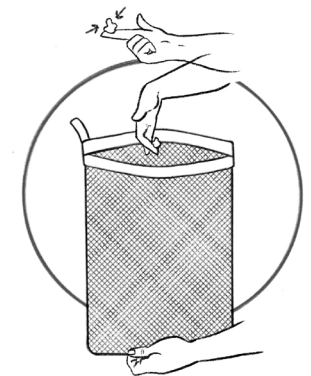
**2** Damaged cartridges can be recycled.



### 6.3 The best detergent

Commercially available detergents often contain microplastic particles and fillers. Synthetic coating solutions are added to fabric softeners to deposit on the textile fibers. All these materials pollute the environment and impact the function of a wastewater filter. For trouble-free operation, we recommend using detergents without such ingredients.

We recommend the use of the **GUPPYFRIEND** Washing Bag for maximum microplastic reduction and optimal protection of synthetic textiles.



## 7. Troubleshooting

### 7.1 Program stop / malfunction

If the washing machine pump is not powerful enough, or if the filter is very dirty, the wastewater can only be pumped slowly out of the washing machine. This delay can interrupt the wash cycle and the washing machine may be stopped. The washing machine then switches to malfunction mode. To avoid this, a pump can be installed in front of the filter to enable pumping during the designated program time.

### 7.2 Longer / Delayed Wash Program

As described in 7.1 "Program stop / malfunction", the wash cycle may be interrupted by the above-mentioned delay. To avoid this, we recommend installing an external pump.

### 7.3 Filter housing is dripping / leaking

If the filter drips during washing or water stains form underneath the case, please switch off the washing machine IMMEDIATELY or disconnect the power cord. Empty the case completely using a bucket, clean the cartridge and the case and close them securely. Clarify the reason for the leakage. Restart the washing program and check the case for leaks.

### 7.4 Lint formation inside the filter cartridge

If the filter is connected against the intended direction of flow (see 4.3, mounting IN/OUT!), lint and dirt deposits will form inside the cartridge instead of on the outside. Clean the cartridge as described and mount the filter case correctly.

### 7.5 Filter cartridge sits at an angle in the case

When changing or cleaning the filter, the cartridge must be inserted into the case in such a way that the spring attached to the underside of the cartridge is securely centered by the locking flanks of the filter case provided for this purpose.

### 7.6 Filter cartridge stays clean

If neither fibers nor dirt are deposited on the filter cartridge during washing, the cartridge has been inserted incorrectly, so that wastewater can escape unfiltered.

### 7.7 Filter cartridge is loose

When the sewage pump is started, there is a sudden back pressure in the filter and the supply line. This can cause a short jerky movement of the filter. Always ensure that the filter is firmly and securely screwed to the wall bracket.

### 7.8 Washing machine does not pump

If the washing machine filter is cleaned too late, the washing machine may no longer be able to provide the required pumping pressure. If the error "Please clean the lye pump" or similar is displayed, switch off the washing machine. Then empty the water from the filter cartridges and clean the filter cartridges. After cleaning, refit the filter cartridges and check for leaks. Switch the washing machine on again.

If the washing machine does not automatically continue the process, please manually select the "Pump" programme and have the process performed. After pumping out, the washing machine can be used as usual.



**GUPPYFRIEND®** is a brand of LANGBRETT® GmbH  
Eberswalder Straße 29, DE-10437 Berlin. Hotline +49 (0) 157 85 15 86 44  
[www.guppyfriend.com](http://www.guppyfriend.com)

© 2023 LANGBRETT®