

Installation Instructions For Sunrise Medical / Quickie Caster Forks



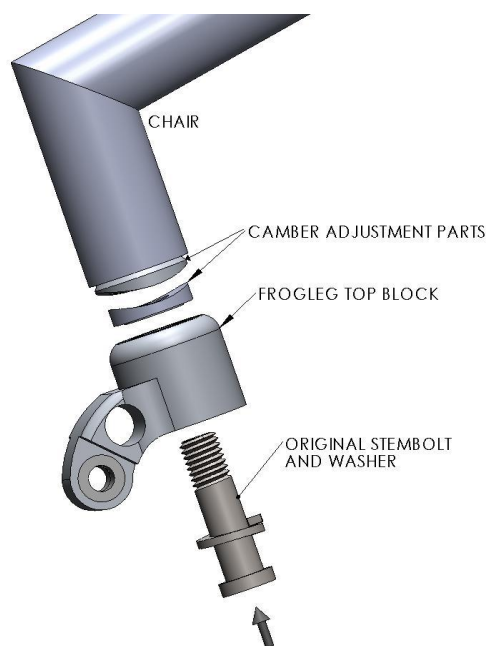
Frog Legs™ Shock Absorbers

Tools Required To Install Frog Legs™ Suspension Caster Fork

- 8mm Allen wrench

Tools Required To Install Caster Wheel

- 2- 5/32 inch (4mm) Allen wrenches

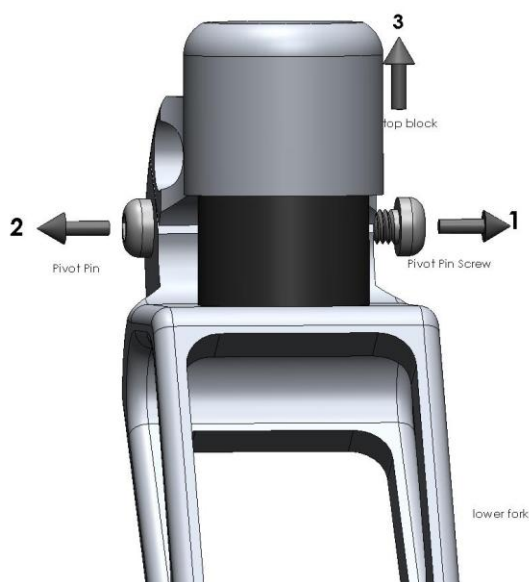


NOTE: Before removing the existing rigid caster forks it is important that you note the angle of the adjustment camber so that this position can be duplicated with the new Frog Legs suspension fork. In order to help you maintain the camber, we recommend that you remove/install the forks one at a time so that the installer can refer to the other camber position.

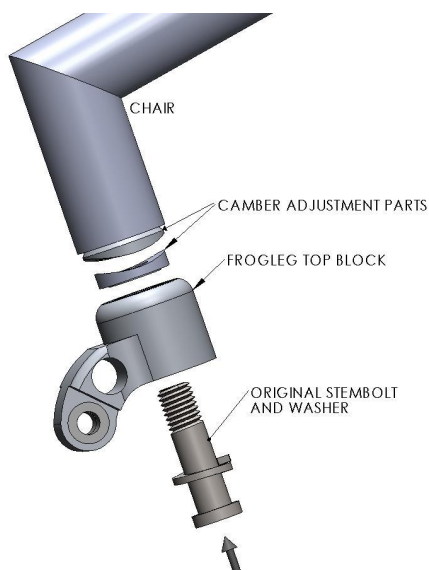
Installation Instructions For Sunrise Medical / Quickie Caster Forks

Step 1. Using the 8mm Allen wrench remove existing rigid caster fork. **IMPORTANT: Retain the original camber adjustments parts and stembolt.**

Step 2. If the Frog Legs shock absorbing caster forks were sent to you unassembled, please skip to step 3. If the Frog Legs shock absorbing caster forks are already assembled, you will need to use a 4mm Allen wrench to loosen and remove the pivot bolt. This is the pin that the upper and lower sections pivot on as seen in the illustration below.

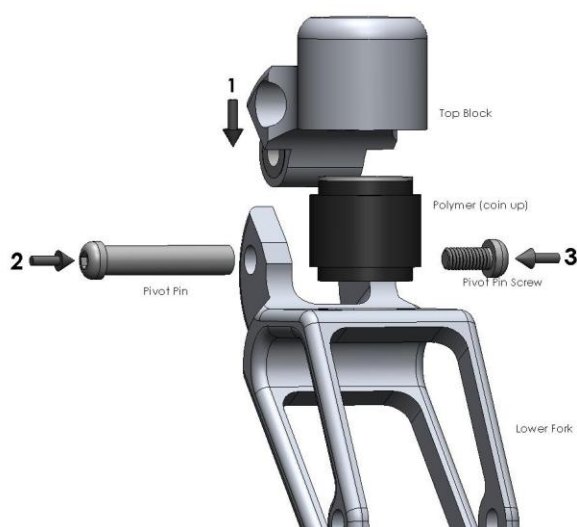


Step 3. Attach Frog Leg caster fork to wheelchair by insert the original stembolt and washer from the bottom up through the Frog Legs top block and into the receiver on the wheelchair as shown in Illustration #1. **IMPORTANT: Make sure to align the teeth of the camber washer to match the original angle.**

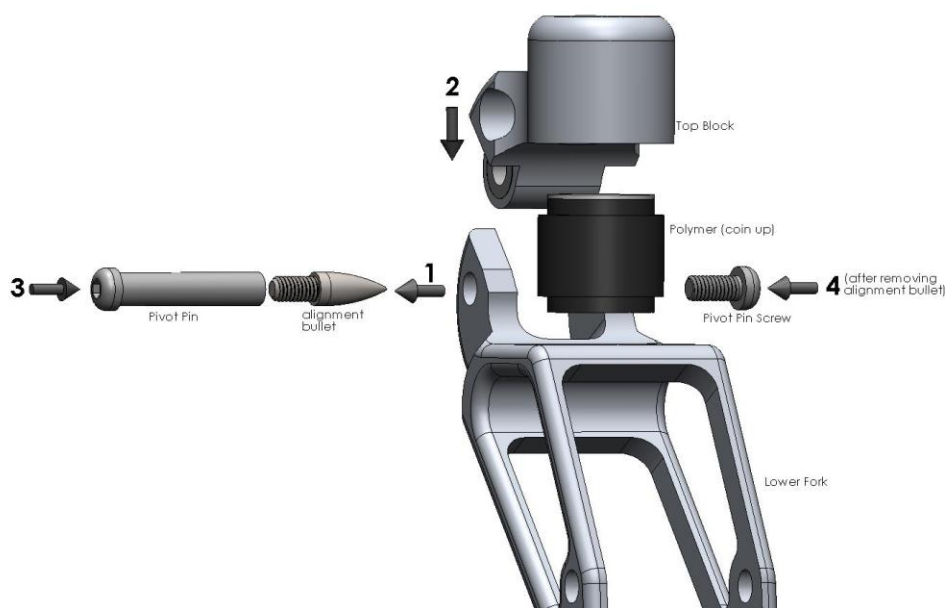


Installation Instructions For Sunrise Medical / Quickie Caster Forks

Step 4. Make sure that the polymer dampener is placed coin side up in the machined seat (a hole that does not go all the way through) in both blocks. Re-assemble the two sections (top and bottom) of the Frog Leg shock absorbing caster fork. *NOTE: Your Frog Leg suspension forks are designed with a slight pre-load so the forks may have to be pressed against a solid surface in order to line up the holes.* Tighten the pivot pin with the 4mm Allen wrenches. See illustration below.



If you are unable to line up the holes, Frog Legs offers an alignment bullet that can be purchased for \$10. The \$10 is refundable if the bullet is returned. Please call our customer service at 641-682-0220 or 800-922-2129.



Installation Instructions For Sunrise Medical / Quickie Caster Forks

Step 5. A small plastic ziplock bag of hardware that was included with your forks containing (2) axle pins, (2) button-head screws and (4) wheel spacers that you will use to attach a caster wheel to your suspension fork. First choose one of the three axle location holes in your new forks, and then put the axle bolt partially through the hole. Add one of the provided spacers, or use your rigid system spacer if you have them. Next, insert the wheel, push the axle through the wheel and then add another spacer. Push the axle bolt through the other side of the fork. Install the “button-head screw” that came with the axle pin and tighten the assembly.