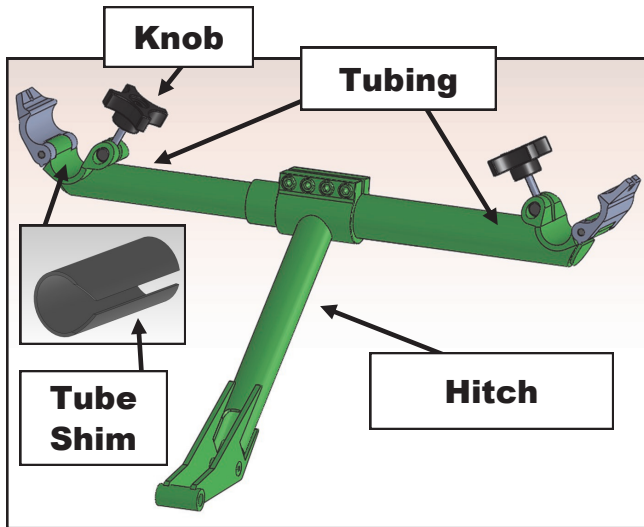


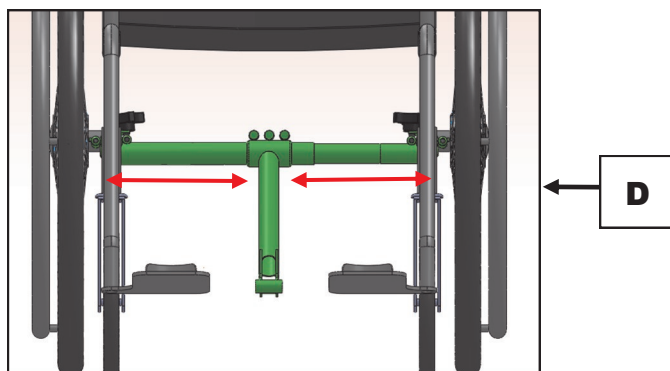
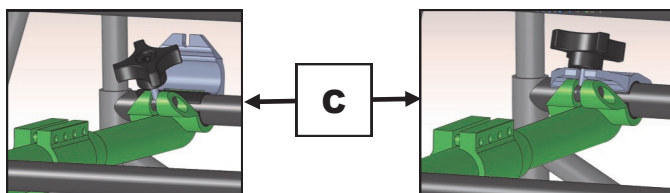
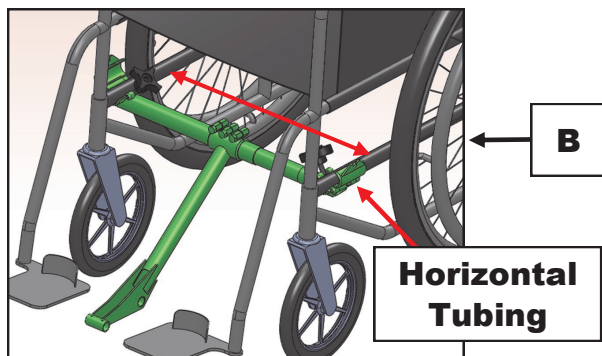
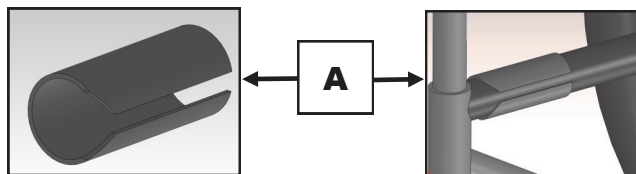
FreeWheel® Folding Wheelchair Adaptor: Set-Up Instructions



NOTE: Video instructions under VIDEOS at www.gofreewheel.com. Maximum personal body weight for Adaptor is 250 Lbs.

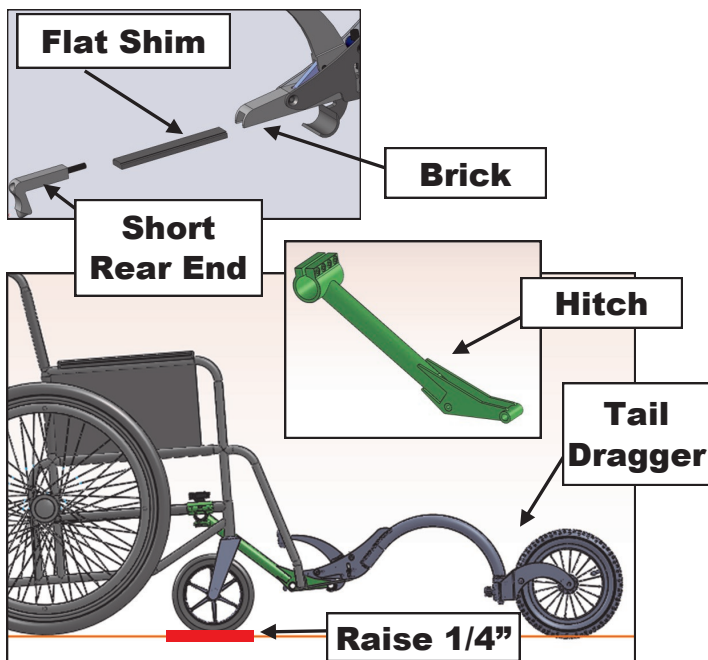
STEP 1: Getting Started

- Separate tubing
- Slide HITCH on to one side of tubing. Slide tubing back together.
- Open Knobs and remove Tube Shims.



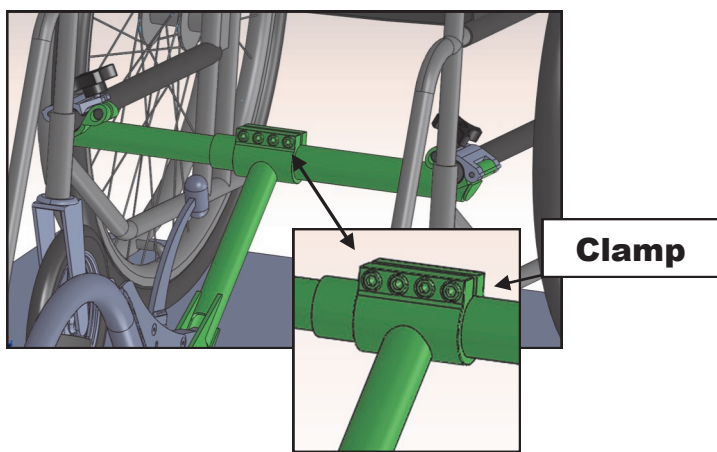
STEP 2: Securing Adaptor to Your Wheelchair

- Clip Tube Shim onto horizontal tubing. Tube Shims are not required on 1-18" tubing. If you have 7/8" tubing contact us about custom tube shims.
- Slide Adaptor tubing to width of wheelchair and close clamps over tube shims on wheelchair horizontal tubing.
- Secure clamps by rotating knob into slot and tightening.
- Move hitch so it is perfectly centered between horizontal tubing.



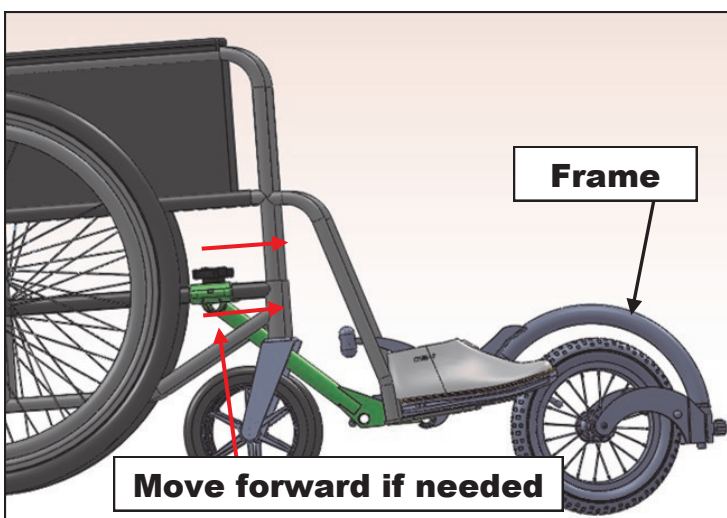
STEP 3: Attaching FreeWheel

- Slide flat shim from ADAPTOR box into FreeWheel brick.
- Insert shortest Rear End from FreeWheel kit and screw into brick. Do not tighten but leave small gap between shim and Rear End.
- Raise wheelchair front casters approximately 1/4".
- Clamp FreeWheel on to Hitch with FreeWheel in Tail Dragger position. Tire should be firmly touching ground.



STEP 4: Final Adjustments

- Start by SLIGHTLY tightening all 4 of the screws on the clamp. It is important to not completely tighten each screw, but to slowly tighten all 4, a little at a time.
- Keep tightening until all for screws are very secure. (20 ft-lbs torque).
- Sit in chair and rotate tire under the FreeWheel frame.
- If front casters do not lift off ground, complete angle adjustment as shown on Page 7 of FreeWheel Set-Up Guide.
- If your toes hit the wheel, loosen clamps and move ADAPTOR forward on the horizontal bars.



Please refer to the FreeWheel Set-Up guide to Fine tune any adjustments.

FreeWheel

www.gofreewheel.com/info@gofreewheel.com

PNT, LLC does not accept any liability or responsibility for any type of injury or damage to an individual or property, resulting from the use of the FreeWheel Wheelchair Attachment and ADAPTOR for Folding Wheelchair, that is considered in excess of normal use including, but not limited to use with any electric assist product, speeds in excess of what an individual can normally push on a flat surface when an individual in the wheelchair weighs in excess of 280 lbs. (250 lbs. with ADAPTOR).