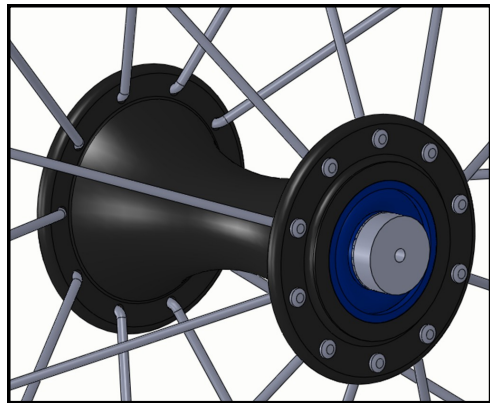


Wheel Removal

As of March 2014, all FreeWheels come with an upgraded design making it easier to remove the wheel when needing to change a tube. The following are the new instructions.



NEW Black Hub

