

# BASIC INSTALLATION GUIDE - HOVR SLIM - 1 1/8" TALL BRACKET



## BASIC INSTALLATION GUIDE

hovrsolutions.com  
contact@hovrsolutions.com

Have a question? Visit our fully searchable online help center at [hovrsolutions.com/learn](http://hovrsolutions.com/learn)

### WHAT YOU NEED

#### INSTALLATION HARDWARE

- 4 x 3 1/2" #12 Wood Screw (per 4 ft of bracket)
- 12 x 2 1/2" #12 Wood Screw (per 4 ft of bracket)
- 4 x 1/2" - Set Screws - 5/16" #18 Course Thread (1 set screw per 8-10")
- 1 x Hex Key - 5/32"

#### BITS REQUIRED

- Drill Bit - 3/16" - HSS Jobber (Optional: To drill extra holes in the male bracket)
- Tap Bit - 5/16" HSS #18 (To thread the screw hole)
- Drill Bit - 17/64" HSS Jobber (To pre-drill tap hole)
- #2 Square Drive (Not included)

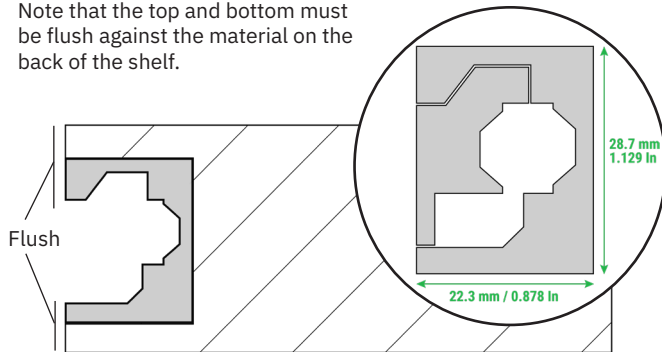
#### TOOLS REQUIRED

- Tape Measure
- Electric Drill
- Level
- Stud Finder
- (Router)
- (Table Saw)

### STEP 1 - CREATE CHANNEL

There are 3 methods to create the channel. Hand chisel, router, or, for the professionals, using a dado blade/table saw. The most common method is to router out a 1 and 3/16" channel at the back of your shelf to make room for the female bracket.

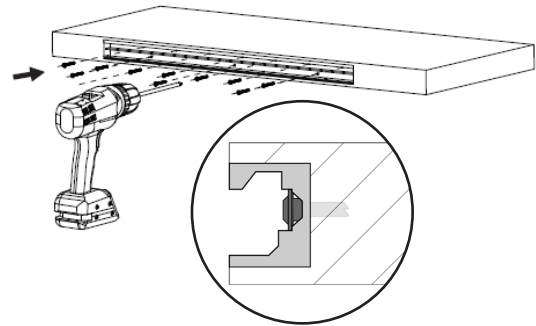
Note that the top and bottom must be flush against the material on the back of the shelf.



Side View of Shelf with Hovr Bracket Placed in Channel

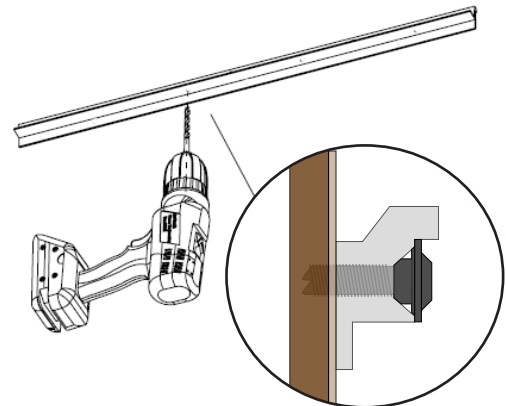
### STEP 2 - ATTACH FEMALE BRACKET TO SHELF

Use the 2 1/2" wood screws to secure the bracket to your shelf. Use 1 screw per hole.



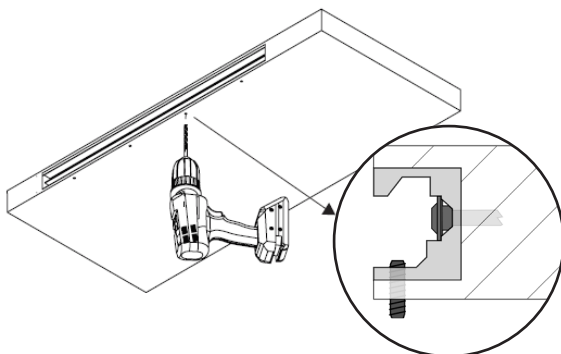
### STEP 4 - PREPARING THE MALE BRACKET

It is recommended to find a minimum of 2 studs. There is a hole every 2" along the bracket. If by chance the predrilled holes in the male bracket do not match up with the stud location, please mark the location on the male bracket. Use a 3/16" or a 1/4" drill bit to drill a hole at the required location.



### STEP 3 - DRILL SET SCREW HOLES

Drill & tap the holes in the bottom of the shelf to accommodate the set screws for the bracket that will be used to secure the two components together later in the install. Use the 17/64" drill bit to predrill the tap hole, and then use the tap bit to thread the hole.



Hovr Strong Solutions (the "Company") makes no representation or warranty as to the suitability of its products for any particular purpose, use, or installation, nor does it make any suggestion as to the method by which any of its products should be installed. The Company makes no suggestion nor shall be taken to provide any instruction on any tools, equipment or machinery used in any way in connection with its products, and strongly suggests that the consumer consult with and abide by any user manuals or instructions provided by the manufacturer of any utilized tools, equipment or machinery and at any time they are used, that such use is conducted in a safe and lawful manner. It is the responsibility of the consumer to ensure the correct usage of any tools, equipment, or machinery utilized at any time in connection with any Company products.

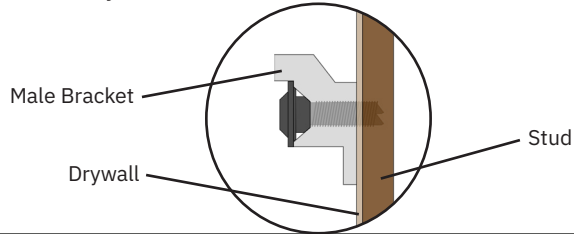
The information provided in any video by the Company is not intended as, and shall not be understood or construed as, advice or instruction in the operation of any tools, equipment, or machinery for use in connection with any Company products. Neither the Company, nor any of its employees, agents or anyone else for whom it is at law responsible shall be held liable or responsible for any loss, damage, or injury stemming from the use of any tool, equipment, or machinery utilized by a consumer in connection with any Company products.

# BASIC INSTALLATION GUIDE - HOVR SLIM - 1 1/8" TALL BRACKET

## STEP 5 - ATTACH MALE BRACKET TO WALL

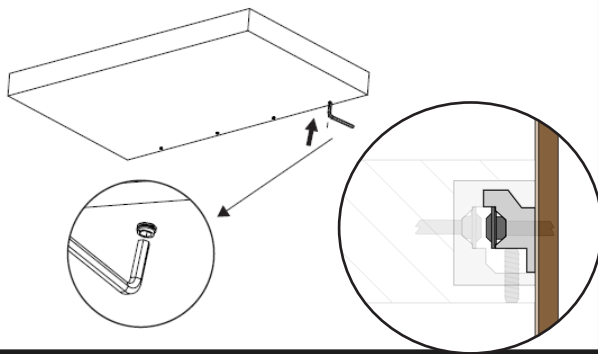
When attaching the male bracket to the wall, please use the #12 3 1/2" wood screws. Start by drilling one screw into the first stud but not tightening all the way. Then using a level, make sure the bracket is leveled before drilling your second screw into the other stud. Tighten the screw (but not so much that the bracket bends - hand tight or 1-2 clicks of with an impact driver is plenty) then go back and tighten the first one.

**\*Important: Make sure the screws in the male bracket are sufficiently tight against the wall. Too loose and the connection of the shelf to the wall may not be stable and the shelf may wiggle. Too tight and the male bracket may bend and fail to connect with the female bracket.**



## STEP 7 - SECURE BRACKETS TOGETHER

Insert the set screws into the pre-drilled & tapped holes from step 3. Screw them in by hand until they are finger tight, and then finish securing them with the provided Allen key. The tighter the better. Alternatively, there is the method of using Epoxy glue alongside the set screws, for a more permanent, stronger install. Combining both methods together gives the strongest results. You can find out more at [hovrsolutions.com/learn](http://hovrsolutions.com/learn).



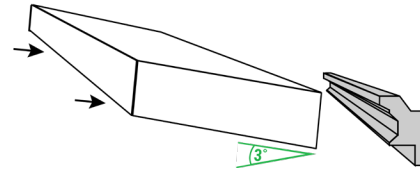
## IMPORTANT TIP #1

Please use the specified hardware described in this installation guide. By not using the specific items, you may cause a loss of integrity of the Hovr Bracket System, and thus, decreased performance.

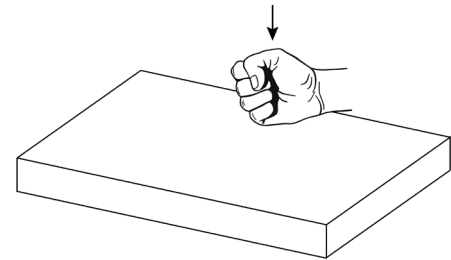
For any additional questions, please visit our help center at [hovrsolutions.com/learn](http://hovrsolutions.com/learn)

## STEP 6 - COMBINE BOTH BRACKETS

Tilt your shelf downward at a 3° angle to begin engaging the 2 brackets together. Hook the upper part of your female bracket onto the upper part of the male bracket. Once you feel the grooves begin to interlock, pull the shelf downwards into place and connect the two components.



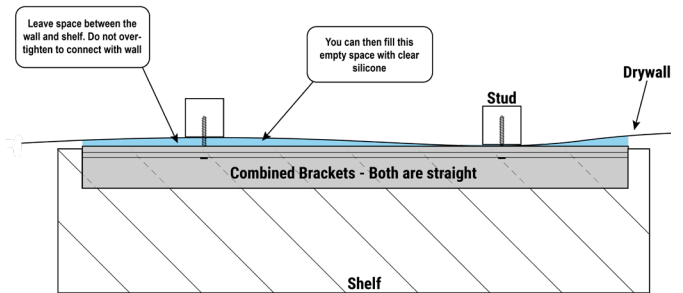
In the case the brackets are not fully engaged initially, apply 2-3 taps at the back of the shelf where the brackets sit. This should cause the brackets to snap fully into place, leaving a level shelf.



## IMPORTANT TIP #2

It is important that the male bracket is flush against at least one stud / the wall. If you bend it, it will fail to engage correctly with the female bracket, resulting in a failed installation.

With that said, not all walls are straight. The female bracket in the shelf is straight, so the male bracket on the wall must be straight as well for them to engage. You can leave up to a 1/4" space between the back of the male bracket & another anchor point without the integrity or holding capacity being compromised. You may also want to wedge something into the gap so you can sufficiently tighten the screws to prevent any wiggle. There are options here on how to deal with that extra space, all of which you can find in our knowledge base online.



Hovr Strong Solutions (the "Company") makes no representation or warranty as to the suitability of its products for any particular purpose, use, or installation, nor does it make any suggestion as to the method by which any of its products should be installed. The Company makes no suggestion nor shall be taken to provide any instruction on any tools, equipment or machinery used in any way in connection with its products, and strongly suggests that the consumer consult with and abide by any user manuals or instructions provided by the manufacturer of any utilized tools, equipment or machinery and at any time they are used, that such use is conducted in a safe and lawful manner. It is the responsibility of the consumer to ensure the correct usage of any tools, equipment, or machinery utilized at any time in connection with any Company products.

The information provided in any video by the Company is not intended as, and shall not be understood or construed as, advice or instruction in the operation of any tools, equipment, or machinery for use in connection with any Company products. Neither the Company, nor any of its employees, agents or anyone else for whom it is at law responsible shall be held liable or responsible for any loss, damage, or injury stemming from the use of any tool, equipment, or machinery utilized by a consumer in connection with any Company products.