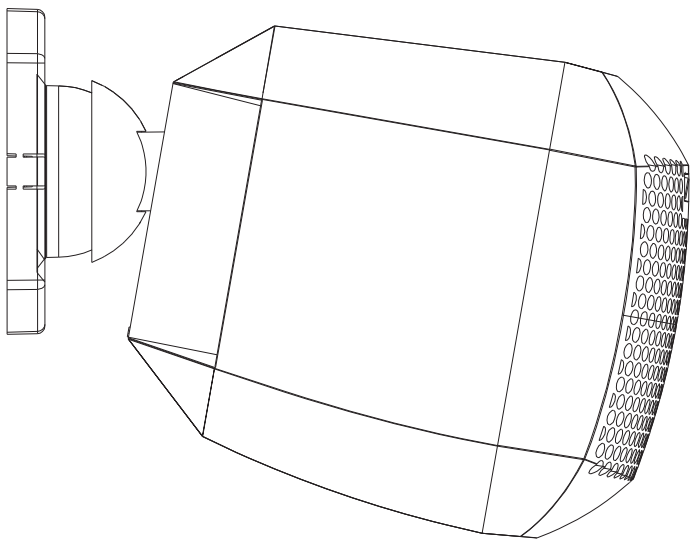


RK30

Wall Mount Cube Speaker

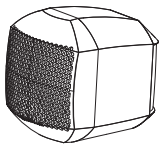


User Manual

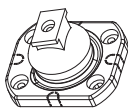
SAFETY INSTRUCTIONS

- 1 When the speakers are installed on the walls, ensure the wall structure is reliable and that the speakers are firmly attached.
- 2 Install the speaker in a location that can structurally support the weight of the speaker and its mounting hardware. otherwise it may result in the unit falling down and causing personal injury.
- 3 Do not use nails, adhesives or other unauthorized devices long-term use and vibrations may cause it to fall easily.
- 4 Do not touch or bump the woofer and tweeter. If these are damaged, the sound will be distorted.
- 5 Lower the volume of the device and source unit when changing the input source. (i.e. To tune fm / cd). Turn off the device and source unit when installing or removing cables.

PACKING LIST



Passive Speaker X2



Ball-joint Bracket X2



Phoenix Connector X2



Screws X8



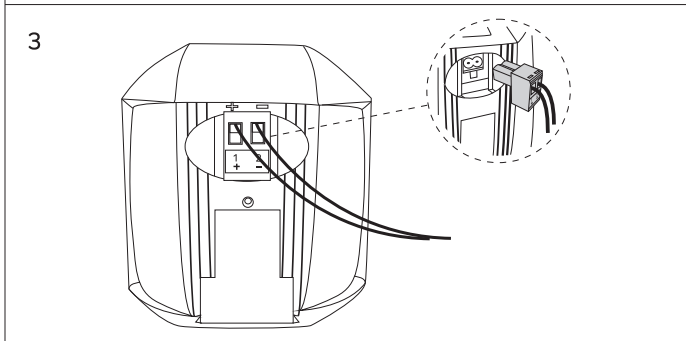
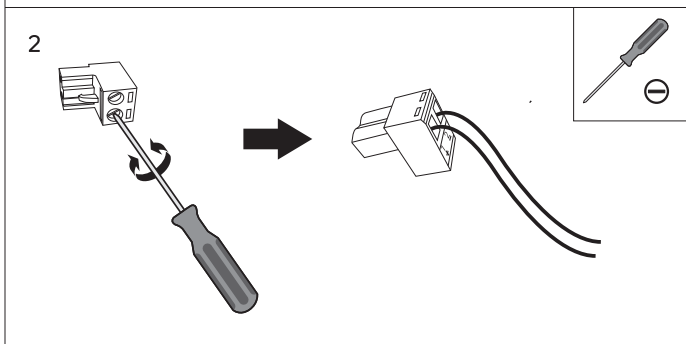
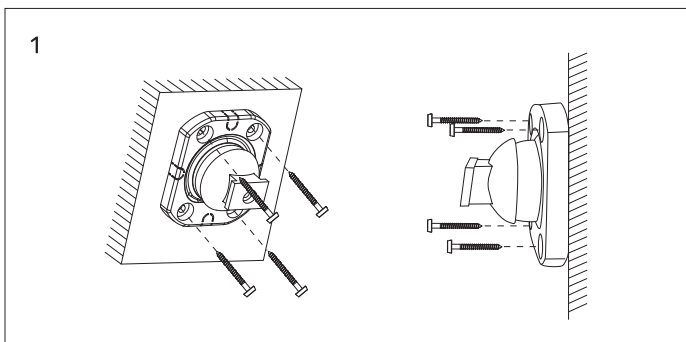
Screws X8

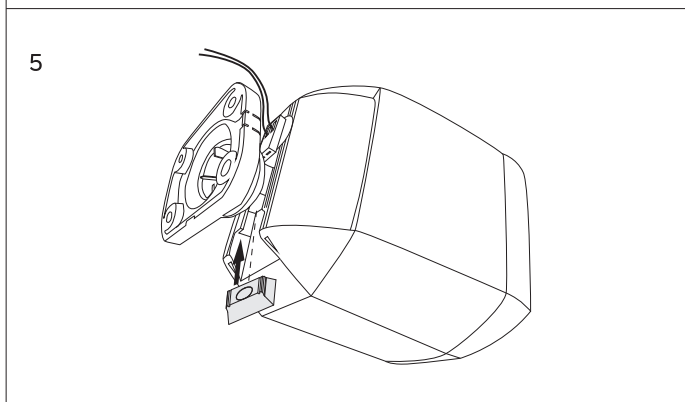
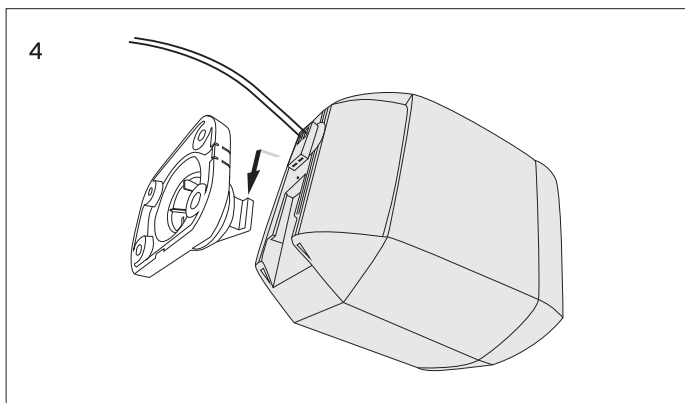


User Manual

INSTALLATION

- 1 Attach the bracket to the wall.
- 2 Connect the speaker wire to the phoenix connector.
- 3 Attach phoenix connector to the speaker.
- 4 Attach the speaker to the bracket.
- 5 Attach the rubber stopper.





CAUTION

- 1 Most speaker damage is caused by amplifiers with too little power (wattage).
- 2 Clipping is usually audible and it may vary from a harsh sound to a fuzzy or unclear sound.
- 3 If you hear the clipping at high volume levels, turn down the volume until the distortion is gone.
- 4 Damage to the speaker caused by distortion due to overpowering will void your warranty.

VOLUME CONTROL

- 1 The volume is controlled by your active speaker.

GENERAL FEATURES:

The RK30 Low Impedance Home Audio Loud Speaker offers a unique combination of sleek ascetic design and high performance sound quality, Its small footprint allows for easy system integration without compromising on sound quality or performance IP66 Weather Resistant rating allows for Indoor/Outdoor applications making it one of the most versatile Home/Commercial Audio speakers available

SPECIFICATIONS

Model	RK30
Low Impedance RMS POWER	40Watts
Low Impedance Dynamic POWER	80 Watts
Frequency Response	120-20KHz
SPL 1W/1m	88dB
Max SPL 1m	98dB
Impedance (ohms)	8
Loudspeaker system	Full Range
Woofer Cone Material	Paper
Grille Material	Cloth
Vertical Dispersion Angle 1000Hz	180°
Mounting System	Turn/Tilt Bracket
Housing Material	ABS Plastic
IP Certified Weather Rating	66
Woofer Size	2.5inch
Height	94mm
Depth	108mm
Width	82mm
Net Weight Product (kg)	0.48
Closet RAL Colour(Subject To RAL 9016(W)/ RAL9011(BL))	

DESIGNED IN CALIFORNIA
MADE IN CHINA



