

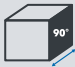
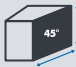
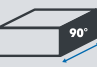
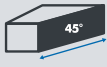




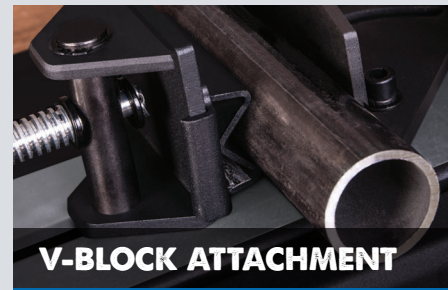
NEW 15" METAL CUTTING CHOP SAW WITH CAST BASE

 15A	 14" SUPPLIED 15" SOLD SEPERATELY
 5" x 5" SQUARE 90°	 3-1/2" x 3-1/2" SQUARE 45°
 3-3/4" x 7-7/8" RECTANGLE 90°	 3-1/8" x 4-3/8" RECTANGLE 45°
 Ø 5-7/8" ROUND 90°	 Ø 5" ROUND 45°



S380 CPS

14" 66 Tooth Blade
15A Motor
Square tube at 90° - 5" x 5" Max.
Square tube at 45° - 3-1/2" x 3-1/2" Max.
Rectangle tube at 90° - 3-3/4" x 7-7/8" Max.
Rectangle tube at 45° - 3-1/8" x 4-3/8" Max.
Round tube at 90° - 5-7/8" Max.
Round tube at 45° - 5" Max.
Weight - 52.5 lbs
0° - 45° Max. Mitre
3 Year Warranty
10ft Cable Length
Ambidextrous, Ergonomic Trigger
3 Position Rear Vice Jaw
Heavy Duty Cast Aluminium Base With Rubber Feet
Ergonomic Carry Handle
Adjustable Depth Stop
Head Lock Down Pin
Onboard Tool Storage
Angle Markings on Rear Fence
Full Length Chip Collector Tray
Square Threaded Vice Bar
Zinc Coated Steel Wear Plate
Quick Release Clamp
45° Locking Pin



Specifications **IMPROVED** Features **NEW** Features

ACCURATE • RELIABLE • POWERFUL

evolution®