

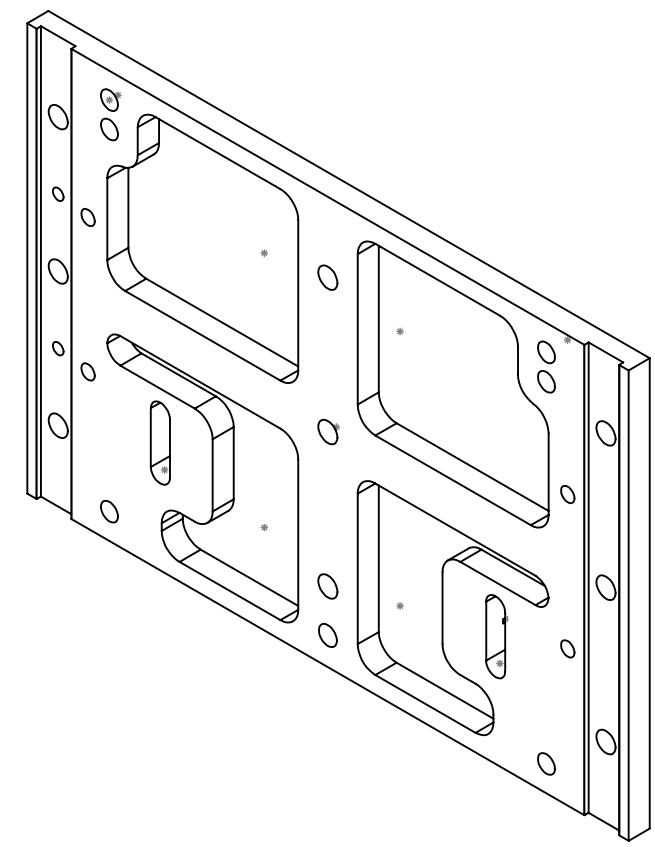
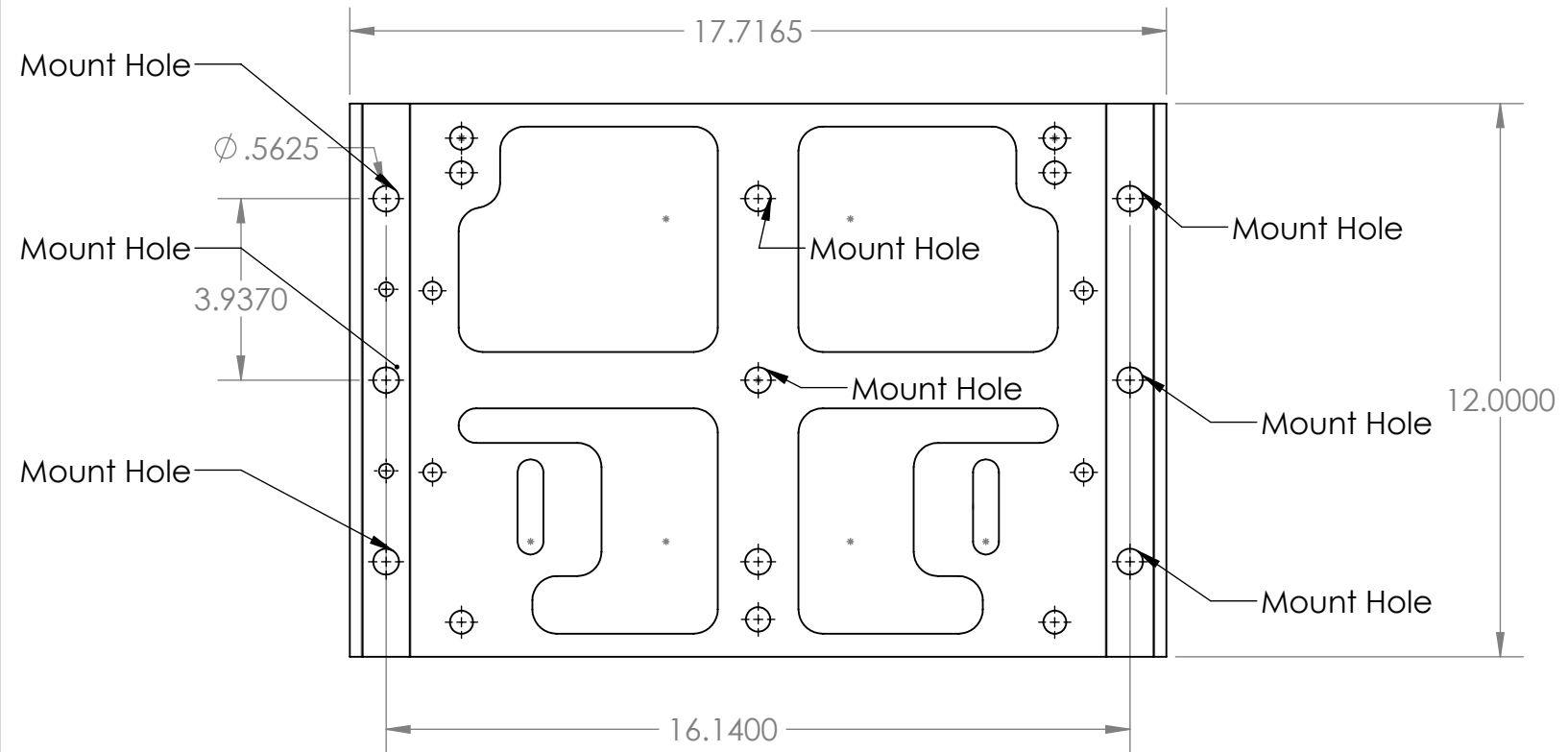
4

3

2

1

MUST USE ALL 3 HOLES THAT GO THROUGH SIDEPLATE ON EACH SIDE AS WELL AS AT LEAST 1 OF THE 2 CENTER TOP HOLES



THE INNER MERCURY PATTERN CAN BE USED FOR LOCATING BUT DOES NOT SECURE THE BRACKET TO THE BOAT

PROPRIETARY AND CONFIDENTIAL
 THE INFORMATION CONTAINED IN THIS DRAWING IS THE SOLE PROPERTY OF <INSERT COMPANY NAME HERE>. ANY REPRODUCTION IN PART OR AS A WHOLE WITHOUT THE WRITTEN PERMISSION OF <INSERT COMPANY NAME HERE> IS PROHIBITED.

		UNLESS OTHERWISE SPECIFIED:		NAME	DATE
		DIMENSIONS ARE IN INCHES		DRAWN	
		TOLERANCES:		CHECKED	
		FRACTIONAL \pm		ENG APPR.	
		ANGULAR: MACH \pm BEND \pm		MFG APPR.	
		TWO PLACE DECIMAL \pm		Q.A.	
		THREE PLACE DECIMAL \pm		COMMENTS:	
		INTERPRET GEOMETRIC TOLERANCING PER:			
		MATERIAL			
		FINISH			
NEXT ASSY	USED ON				
APPLICATION		DO NOT SCALE DRAWING			
			TITLE:		
			SIZE	DWG. NO.	REV
			SCALE: 1:4 WEIGHT:		SHEET 1 OF 1

Bracket_transom_Dynamic

4

3

2

1