

KATCO D-Handle Chipping Hammer KTC-D3S & D4S

Specifications –KTC-D4S

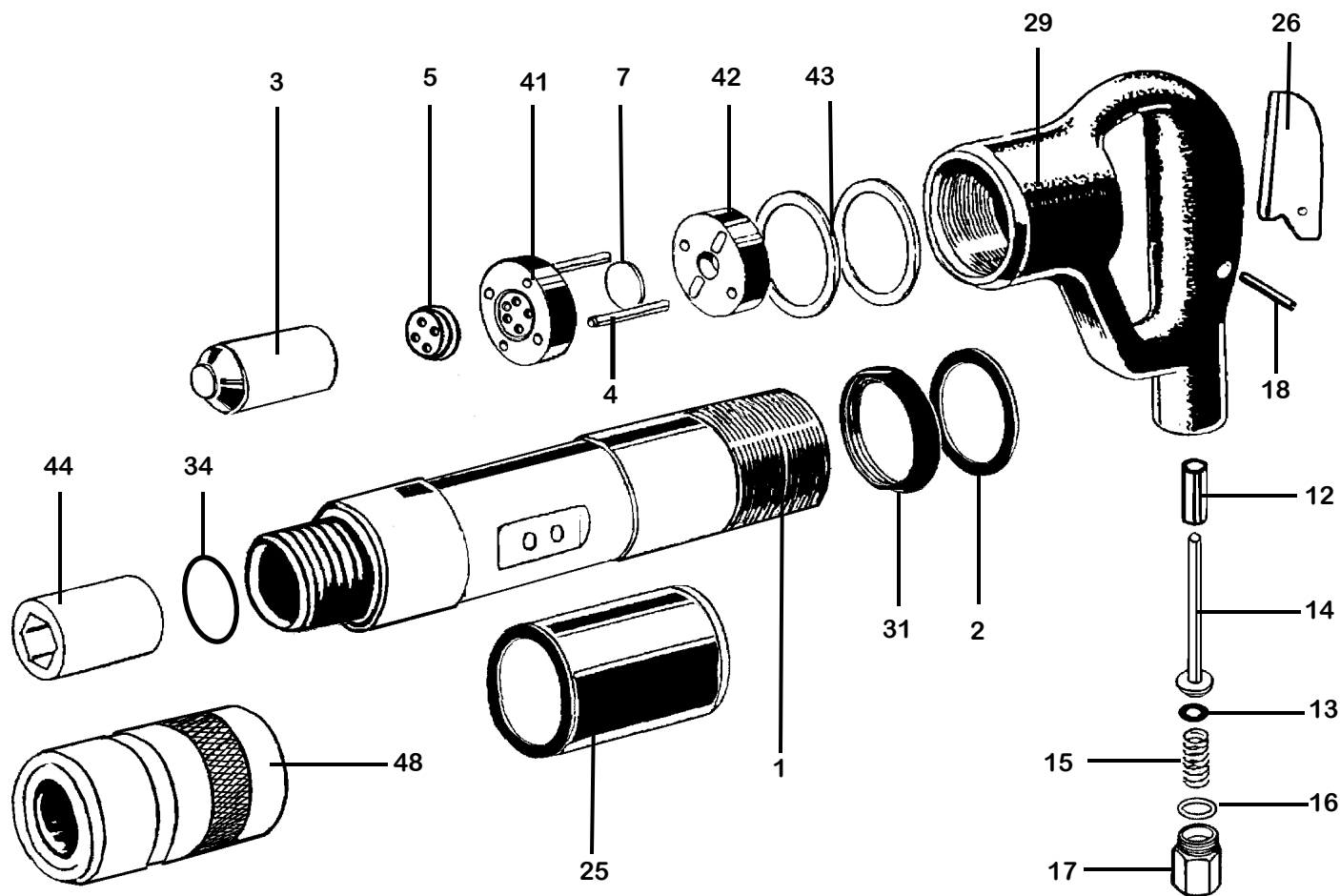
Net Weight	8.5 kg	19 lbs
Length	432 mm	17 in
Bore	29 mm	1.125 in
Stroke	102 mm	4 in
Blows per minute	1200	1200
Chuck Sizes	14.8 mm Hex	.580 in Hex
	17.5 mm Rnd	.680 in Rnd
Air Inlet (NPT)	10 mm	3/8 in
Air Consumption*	1.1 m ³ /m	36 cfm



Specifications –KTC-D3S

Net Weight	6.5 kg	15 lbs
Length	395 mm	15.5 in
Bore	29 mm	1.125 in
Stroke	75 mm	3 in
Blows per minute	2200	2200
Chuck Sizes	14.8 mm Hex	.580 in Hex
	17.5 mm Rnd	.680 in Rnd
Air Inlet (NPT)	10 mm	3/8 in
Air Consumption*	1.4 m ³ /m	32cfm





INDEX	PART	DESCRIPTION	INDEX	PART	DESCRIPTION
1	KT6100-3	#3 BARREL	25	KT6725B	EXHAUST DEFLECTOR
	KT6100-4	#4 BARREL	26	KT6177	TRIGGER
2	KT6702	LOCK RING BUMPER	29	KT6559D	HANDLE BARE
3	KT6103-3	#3 PISTON	NS	KT6559DC	HANDLE COMPLETE
	KT6703-4	#4 PISTON	31	KT6133	HANDLE LOCK RING
4	KT6704D	VALVE DOWEL (2)	34	KT6279	RETAINER O-RING
5	KT6705	BUMPER VALVE SEAT	NS	KT6135	SWIVEL(7/8 - 24, 1/2" HOSE BARB)
7	KT6707	VALVE PLATE S.STEEL	41	KT6141	FRONT VALVE SPACER HOUSING
12	KT6712	THROTTLE VALVE BUSHING	42	KT6142	UPPER VALVE PLATE
13	KT6713	THROTTLE VALVE O-RING	43	KT6143	INTER-LOCK RING (2PC. SET)
14	KT6714	THROTTLE VALVE	44	KT6144R	BUSHING FOR ROUND SHANK (.680")
15	KT6715	THROTTLE VALVE SPRING	44	KT6144H	BUSHING FOR HEX SHANK (.580")
16	KT6716	AIR INLET O-RING	48	KT6148S	SCREW ON BALL RETAINER
17	KT6717D	AIR INLET BUSHING			
18	KT6176	LEVER FULCRUM PIN			

SERVICE NOTE: When re-assembling this tool following any cleaning or service procedure, the two piece INTER LOCK RINGS (PN: 6143) must be replaced inside handle or handle will not lock in the tightened position and may vibrate loose when operating the tool (a small amount of thread locking compound may also be applied to barrel threads before the handle LOCK RING PN: 6131 is tightened in place.)