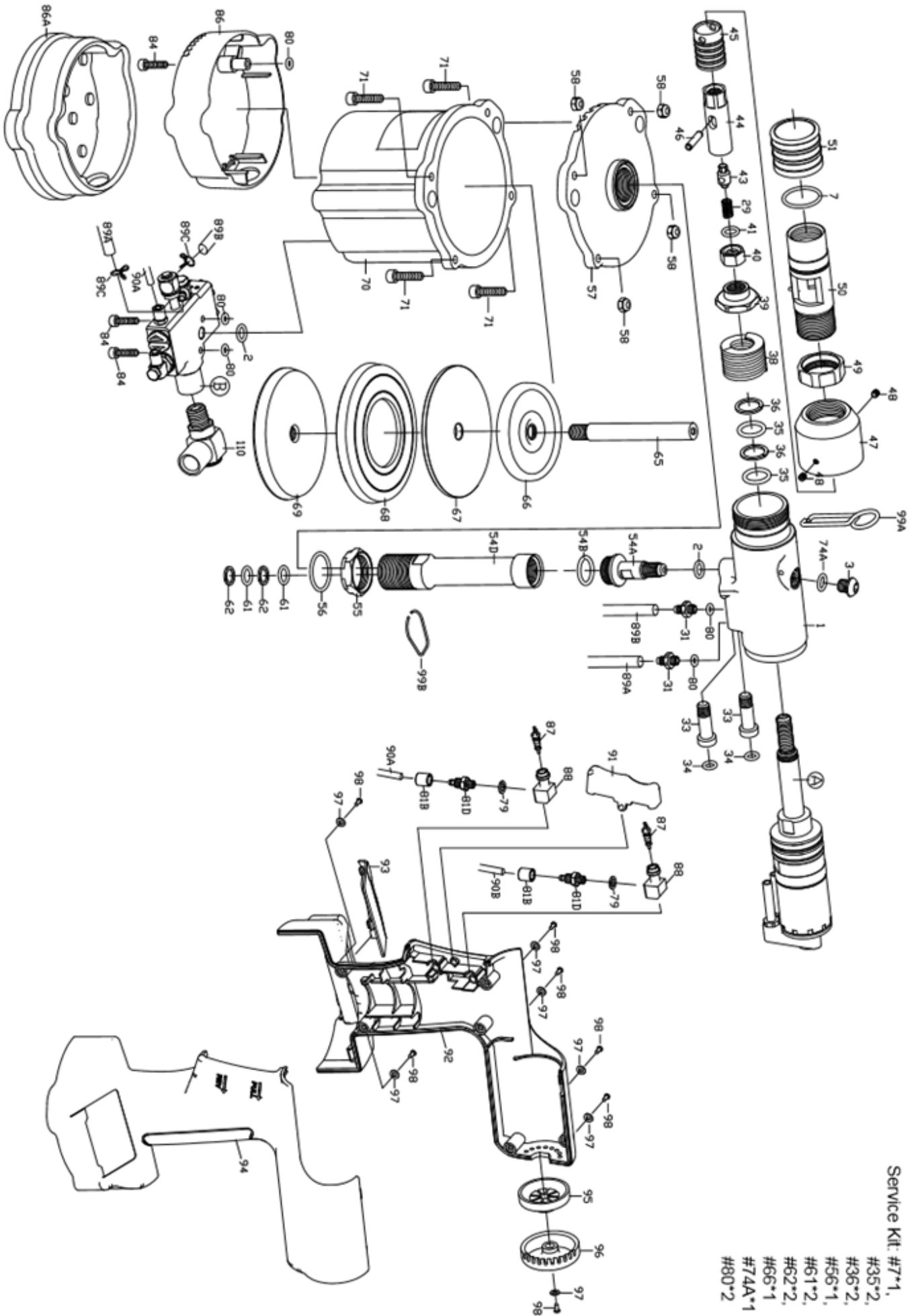
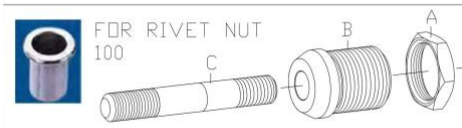


KT-RN2508 Air Hydraulic Rivet Nut Tool



- Service Kit: #7*1,
 #35*2,
 #36*2,
 #56*1,
 #61*2,
 #62*2,
 #66*1
 #74A*1
 #80*2

Inch



100-#8-32	258N22	Rivet Nut Head Assembly(#8-32)
A	258106	Nut
B	258B22	Bolt (#8-32)
C	258A22	Nut Anvil (#8-32)

100-#10-24	258N23	Rivet Nut Head Assembly(#10-24)
A	258106	Nut
B	258B23	Bolt (#10-24)
C	258A23	Nut Anvil (#10-24)

100-#10-32	258N24	Rivet Nut Head Assembly(#10-32)
A	258106	Nut
B	258B24	Bolt (#10-32)
C	258A24	Nut Anvil (#10-32)

100-1/4"-20	258N25	Rivet Nut Head Assembly(1/4"-20)
A	258106	Nut
B	258B25	Bolt (1/4")
C	258A25	Nut Anvil (1/4"-20)

100-5/16"-18	258N26	Rivet Nut Head Assembly(5/16"-18)
A	258106	Nut
B	258B26	Bolt (5/16")
C	258A26	Nut Anvil (5/16"-18)

100-3/8"-16	258N27	Rivet Nut Head Assembly(3/8"-16)
A	258106	Nut
B	258B27	Bolt (3/8")
C	258A27	Nut Anvil (3/8"-16)

100-1/2"-13	258N28	Rivet Nut Head Assembly(1/2"-13)
A	258106	Nut
B	258B28	Bolt (1/2")
C	258A28	Nut Anvil (1/2"-13)

*Order example: 100-5/16"-18B mean order 5/16"-18 Nut Anvil only.

KT-RN2508 Air Hydraulic Rivet Nut Tool

TECHNICAL DATA	Traction Power	lbf(kgf)	: 5500 (2500)
	Stroke Length	mm	8
	Net Weight	lbs(kgs)	: 5.4(2.4)
	Blind Rivet Nut Setting Capacity		: 8-32~1/2"-13 all materials

PARTS LIST

Index	Part #	Description	Index	Part #	Description
1.	KT-258101CEI	Hydraulic Section	58.	KT-NN005080B	Nut (4)
2.	KT-OR0812	O-RING(2)	*61.	KT-OR1217	O-RING (2)
3.	KT-HR00812508	Set Screw	*62.	KT-BR1217	Back-Up Ring (2)
4.	KT-258301	Hydraulic Plunger	65.	KT-258501	Plunger Rod
*5.	KT-OR2936	O-RING (2)	66.	KT-202505	Bumper Ring
*6.	KT-BR3036	Back-Up Ring (2)	67.	KT-107503	Front Head Disc
*7.	KT-OR2225	O-RING (2)	68.	KT-819502	Packing Ring
*8.	KT-258302	Washer	69.	KT-107502	Lower Plate
9.	KT-258303	Shaft	70.	KT-258403CEI	Air Cylinder Body
10.	KT-B26801	Ball Bearing	71.	KT-HC00508020	Set Screw (4)
11.	KT-2583G3	Gear Spindel	72.	KT-258201	Valve Case
11-A.	KT-2583G4	POSITION GUIDE	73.	KT-919202A	Valve Stem (2)
12.	KT-2583G2	Gear (3)	*74.	KT-OR0711	O-RING (2)
13.	KT-2583G1	Ring Gear	*74A	KT-OR0711A	O-RING
14.	KT-B20629	Ball Bearing	*75.	KT-OR0408	O-RING (4)
15.	KT-2583M3	Front End Plate	76.	KT-OR1014	O-RING (2)
16.	KT-2583M4	Rotor	77.	KT-107409	Inlet Plug
*17.	KT-2583M5	Rotor Blade (6)	77A.	KT-922409	Socket Screw (2)
18.	KT-2583M1	Cylinder	78.	KT-258409	Inlet Plug
19.	KT-RP3030	PIN	79.	KT-612714	Washer (5)
20.	KT-2583M2	Rear End Plate	*80.	KT-OR0306	O-RING (10)
21.	KT-B20625	Ball Bearing	81A.	KT-612712	Swivel
22.	KT-2583M6	Motor Cage	81B.	KT-612711	Cap (4)
23.	KT-2583M7	Seal	81C.	KT-612713	Socket
24.	KT-OR2832	O-RING	81D.	KT-612717	Socket (3)
25.	KT-2583M8	Muffler Cap	82A.	KT-166715	Socket
26.	KT-2583V1	Motor Valve Body	82B.	KT-PW0613	Washer
27.	KT-2583V5A	Ball Valve Ass'y	82C.	KT-OR0509	O-RING (4)
29.	KT-318603	SPRING (2)	82D.	KT-166702	Swivel (2)
30.	KT-HS01802808	Set Screw	82E.	KT-ES0511	Snap Ring
31.	KT-258717	Hose Connector (4x6) (4)	82F.	KT-166705	Socket
32A.	KT-258702A	4x6 PUHose(Reverse)-Orange	84.	KT-HC00407016	Set Screw (3)
32B.	KT-258702B	4x6 PUHose(Forward)-Black	86.	KT-258402	Base
33.	KT-2583V3	Air Inlet Hose (2)	86A.	KT-922404	Rubber Boot
34.	KT-OR0610	O-RING (2)	87.	KT-107601	Bleeding Valve (2)
*35.	KT-OR1419	O-RING (2)	88.	KT-107602	Valve Body (2)
*36.	KT-BR1419	Back-Up Ring (2)	89A.	KT-258703A	4x6 PUHose(Reverse)-Orange
37.	KT-OR0205	O-RING	89B.	KT-258703B	4x6 PUHose(Forward)-Black
38.	KT-258309	SPRING	89C.	KT-258806	6mm Hose Loop (2)
39.	KT-258304	Nut	90A.	KT-258704A	2.5x4 PUHose(Reverse)-Orange
40.	KT-258310	Nut	90B.	KT-258704B	2.5x4 PUHose(Pull)-Black
*41.	KT-OR0913	O-RING	91.	KT-258601R	Trigger
43.	KT-258307	Hexagon Bit	92.	KT-258107R	Plastic Grip-Right
44.	KT-258306	Bolt Bushing	93.	KT-258107C	Battery Cap
45.	KT-258308	Adjustable Bushing	94.	KT-258107L	Plastic Grip-Left
46.	KT-SP4018	SPRING	95.	KT-919903	Muffler Cap Holder
47.	KT-258102	Front Cap Nut	96.	KT-919906	Muffler Cap
48.	KT-HS00407004	Set Screw (2)	97.	KT-PW0306	Washer (7)
49.	KT-258104	Nut	98.	KT-ST0310	Screw (7)
50.	KT-258103	Front Cap	99A.	KT-258801	Hanger
51.	KT-258105	Protection Sleeve	99B.	KT-258802	hose bind
54A.	KT-2581082	Hydraulic Tube Connector-B	103.	KT-922901	Oiler
54B.	KT-OR1417	O-RING	108A.	KT-314755	5mm Hex. Wrench
54D.	KT-2581081	Hydraulic Tube Connector-A	108B.	KT-314934	2mm Hex. Wrench
55.	KT-918106	Nut	109A.	KT-144903	10X11 Wrench
*56.	KT-OR2025	O-RING	109B.	KT-258927	27X30 Wrench
57.	KT-258401CEI	Upper Cover	110.	KT-92L2	Air Inlet Assembly