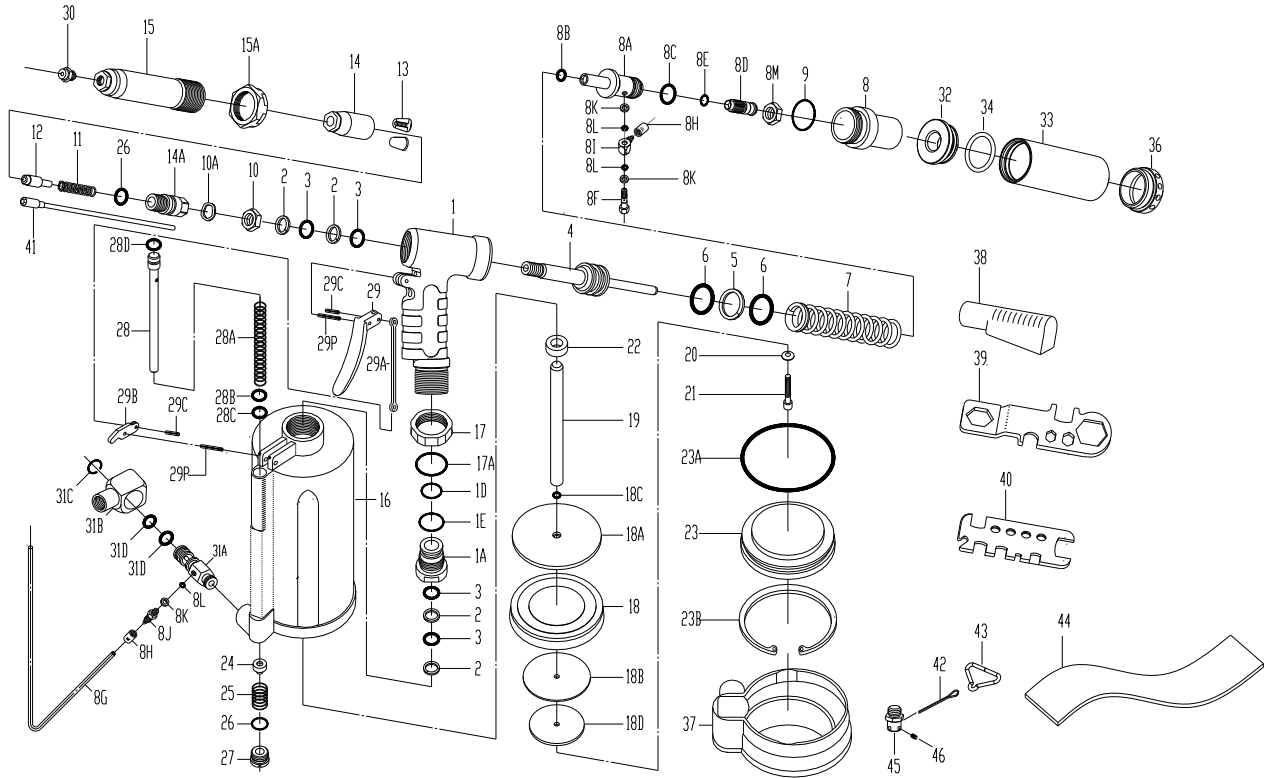


KT-R1819V 1/4" (6.4mm) Cap. Air-Hydraulic Riveter W / Vacuum



KT-R1819V 1/4" (6.4mm) Cap. Air-Hydraulic Riveter W / Vacuum

TECHNICAL DATA

Blind Rivet Setting Capacity

Operating Air Pressure
 Traction Power @ 90 Psi
 Stroke Length
 Tool Height
 Tool Width
 Tool Weight
 Min. Hose Size
 Air Inlet Size
 Hydraulic Fluid

: All blind rivets and blind structural rivets up to and including
1/4"(6.4mm) diameter in all materials.
 : 5 - 7 Bar (70 - 100 Psi)
 : 1,800 KgF (3,960 LbF)
 : 19mm (3/4")
 : 315mm (12-3/8")
 : 225mm (8-7/8")
 : 2.60 Kg (5.72 Lb)
 : 9.5mm (3/8") I.D.
 : 1/4" NPT
 : Shell Hydraulic Fluid or Equivalent

PARTS LIST

Index	Part #	Description	Index	Part #	Description	Index	Part #	Description
1.	KT-819111CEI	Hydraulic Section	*13.	KT-819303	Jaw "L" (2)	28D	KT-OR0812	O-Ring
1A.	KT-819108	Plunger Rod	14.	KT-819324	Jaw Housing	29.	KT-612611	Trigger
*1D.	KT-OR1823	Guide	14A.	KT-819305	Jaw Housing Coupler	29A.	KT-918622	Linkage
*1E.	KT-OR2227	O-Ring	15.	KT-819105	Head	29B.	KT-819603	Rocker Arm
*2.	KT-BR1217	O-Ring	15A.	KT-819106	Lock Nut	29C.	KT-SP3006	Spring Pin (2)
*3.	KT-OR1217	Back-Up Ring (4)	16.	KT-819401CE	Air Cylinder Body	29P.	KT-SP3018	Spring Pin (2)
4.	KT-819301	O-Ring (4)	17.	KT-I 918109	Lock Nut	30.	KT-612706	NosePiece 3/16"(4.8mm)
*5.	KT-BR2431	Hydraulic Plunger	*17A.	KT-OR2832	O-Ring	KT-612708	NosePiece 1/4" (6.4mm)	
*6.	KT-OR2431	Back-Up Ring	18.	KT-819502	Packing Ring	31.	KT-92L2A18BV	Swivel Joint Assy (31A - 31D)(ns)
7.	KT-819309	O-Ring (2)	18A.	KT-819503	Front Head Disc	31A.	KT-819715	Male Inlet Body (V)
8.	KT-819102	Return Spring (Y)	18B.	KT-819504	Rear Head Disc	31B.	KT-92203A	Female Inlet Body (1/4"-18NPTF)
8A.	KT-214123	Rear Gland	18C.	KT-OR0509	O-Ring	31C.	KT-EC1317	Snap Ring
8B.	KT-OR0609	Vacuum Tube	18D.	KT-918514	Rear Disc	*31D.	KT-OR1116	O-Ring (2)
8C.	KT-OR1621	O-Ring	19.	KT-819501	Plunger Rod	32.	KT-819914	Front Cap
8D.	KT-612114	O-Ring	20.	KT-PW0616	Washer	33.	KT-819901	SCollection Bottle
8E.	KT-OR0913	Vacuum	21.	KT-HC00610020	Lock Screw	34.	KT-OR3036	O-Ring
8F.	KT-612713	Regulator	*22.	KT-918505	Bumper Ring	36.	KT-819922	Plug
8G.	KT-918716	O-Ring	22A.	KT-819500	Piston Assy (#18 - #22)ns	37.	KT-819403	Rubber Boot
8H.	KT-612711	Socket	23.	KT-819402	Air Cylinder Cap	38.	KT-612901	Deflector
8I.	KT-612712	Air Hose	23A.	KT-OR8591	O-Ring	39.	KT-612904	Multi-Wrench (A)
8J.	KT-612717	Cap (2)	23B.	KT-CH8084	Retaining Ring	40.	KT-918905	Multi-Wrench (B)
8K.	KT-612714	Swivel	24.	KT-918207	Throttle Valve	41.	KT-819312	Jaw Pusher` (For all rivets under size 3/16")
8L.	KT-OR0306	Socket (Lower)	25.	KT-656204	Throttle Valve Spring	42.	KT-818908	Clip
8M.	KT-612115	Washer (3)	*26.	KT-OR1417	O-Ring (2)	43.	KT-918907	Hanger
9.	KT-OR3034	O-Ring (3)	27.	KT-612206	Valve Plug	44.	KT-918906	Arm Supporter
10.	KT-214306	Lock Nut	28.	KT-918200	Valve Tube	45.	KT-918909	Hanger Holder
10A.	KT-VWV1317	O-Ring	28A.	KT-918204	Valve Tube Spring	46.	KT-HC00305004	Set Screw
*11.	KT-214308-A	Nut	*28B.	KT-918202	Brass Collar			
12.	KT-214302	Wave Washer Spring Jaw Pusher`	*28C.	KT-OR0611	O-Ring			