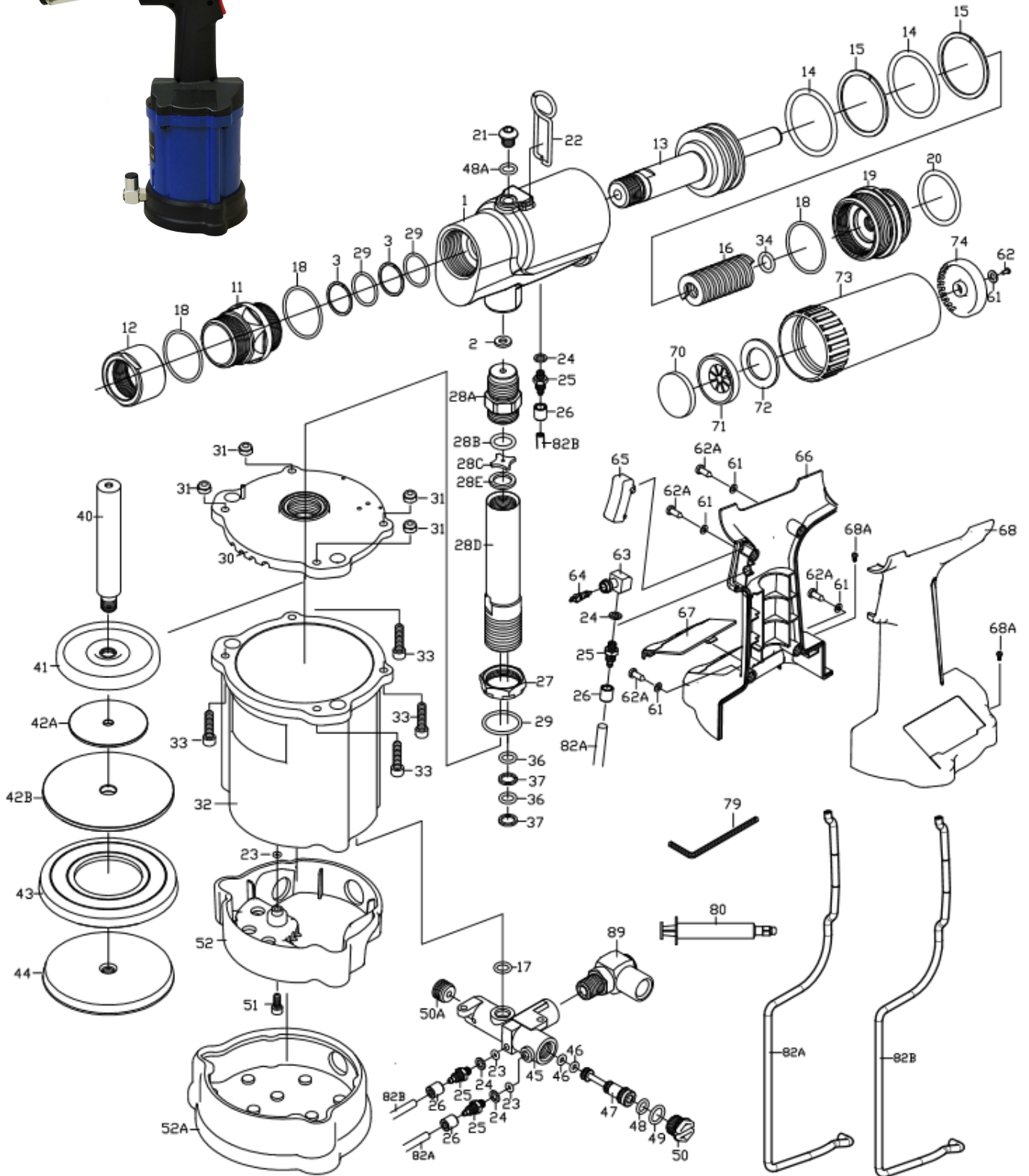


KT-LB3213 3/8" Air Hydraulic Installation Tool



KT-LB3213 3/8" Air Hydraulic Installation Tool

TECHNICAL DATA	Traction Power	lbf(kgf)	:	(3200)
	Stroke Length	mm	:	13
	Net Weight	lbs(kgs)	:	5.6(2.5)
	Nosepieces Equipped	inch(mm)	:	Need to purchase separately.
	Max. Capacity		:	3/8" (10mm) steel monobolt / C6L lock bolts

P A R T S L I S T

Index	Part #	Description	Index	Part #	Description
1.	KT-321101CEI	Hydraulic Section	45.	KT-919211	Valve Case
2.	KT-318203	Rubber Washer	*46.	KT-OR0408	O-RING (2)
*3.	KT-BR2025	Back-Up Ring (2)	47.	KT-919202A	Valve Stem
11.	KT-321105	Head	*48.	KT-OR0711	O-RING
12.	KT-321103	Front Cap	*48A.	KT-OR0711A	O-RING
13.	KT-321301	Hydraulic Plunger	*49.	KT-OR1014	O-RING
*14.	KT-OR3946	O-RING (2)	50.	KT-107409	Inlet Plug
*15.	KT-BR3946	Back-Up Ring (2)	50A	KT-922409	Plug
16.	KT-321319	Return Spring	51.	KT-HC004070	Set Screw (3)
17.	KT-OR0812	O-RING	52.	KT-202402	Base
18.	KT-OR3034	O-RING (3)	52A.	KT-202404	Rubber Boot
19.	KT-321102	Rear Gland	61.	KT-PW0306	Washer (5)
20.	KT-OR3542	O-RING	62.	KT-ST0310	Screw
21.	KT-HR00812508	Set Screw	62A.	KT-HC003050	Set Screw (4)
22.	KT-258801	Hanger	63.	KT-107602	Valve Body
23.	KT-OR0306	O-RING (5)	64.	KT-107601	Bleeding Valve
24.	KT-612714	Washer (4)	65.	KT-107201R	Trigger
25.	KT-612717	Socket (4)	66.	KT-202107R	Plastic Grip-Right
26.	KT-612711	Cap (4)	67.	KT-202107C	Battery Cap
27.	KT-520106	Nut	68.	KT-202107L	Plastic Grip-Left
28A.	KT-3211082	Hydraulic Tube Connector-B	68A.	KT-HR002504	Set Screw (2)
28B	KT-OR1417	O-RING	70.	KT-919904	Silencer
28C	KT-8211012	Hydraulic Tube Washer	71.	KT-919903	Muffler Seat
28D	KT-2021081	Hydraulic Tube Connector-A	72.	KT-919905	Silencer
28E	KT-5201083	Washer	73.	KT-919901	Mandrel Collector
*29.	KT-OR2025	O-RING (3)	74.	KT-919906	Muffler Cap
30.	KT-202401CEI	Upper Cover	79.	KT-314755	5mm Hex. Wrench
31.	KT-NN005080	Nut (4)	80.	KT-922901	Oiler
32.	KT-202403CEI	Air Cylinder Body	82A	KT-202704A	2.5x4 PU Hose(Black)
33.	KT-HC00508020	Set Screw (4)	82B	KT-321704B	2.5x4 PU Hose(Orange)
34.	KT-OR1419	O-RING	89.	KT-92L2A18A	Air Inlet Assembly
*36.	KT-OR1621	O-RING (2)	90	KT-3213SK	Service Kit (opt.) (No.03.14.15.29.36.37.46. 48.49)
*37.	KT-BR1621	Back-Up Ring (2)			
40.	KT-202501	Plunger Rod			
41.	KT-202505	Bumper Ring			
42A.	KT-202504	Front Head Disc A			
42B	KT-202503	Front Head Disc B			
43.	KT-920505	Packing Ring			
44.	KT-202502	Lower Plate			