



FVN8119

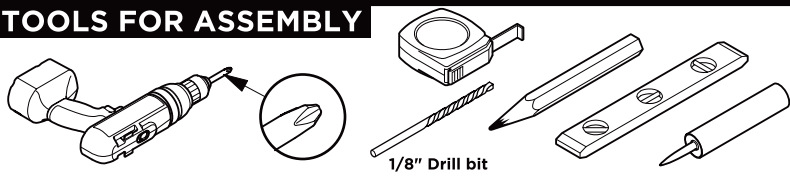
ALLIER

INSTALLATION GUIDE

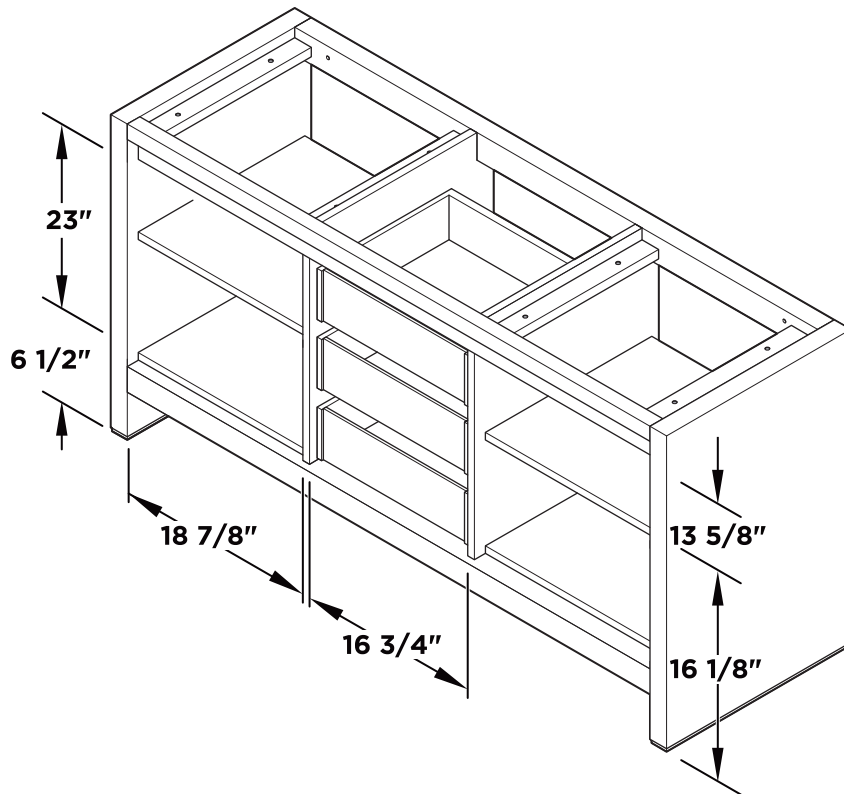
CONTENTS:

Cabinet..... (FCB8119).....	PAGE 3 (STEP 1)
Sink..... (FVS8119).....	PAGE 3 (STEP 2)
Countertop..... (FCT8119).....	PAGE 4 (STEP 3)
Mirror..... (FMR8119).....	PAGE 2

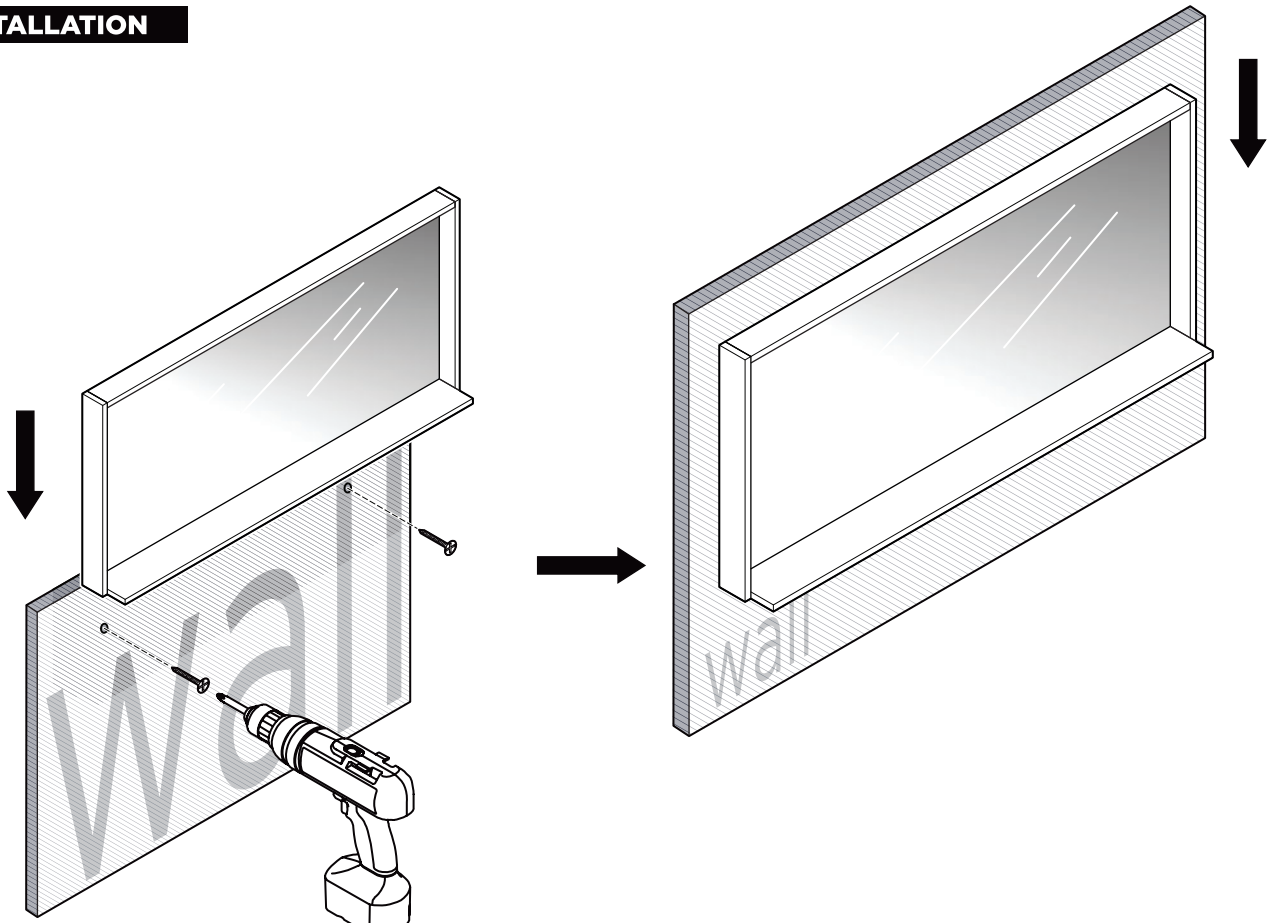
TOOLS FOR ASSEMBLY



Vanity Back

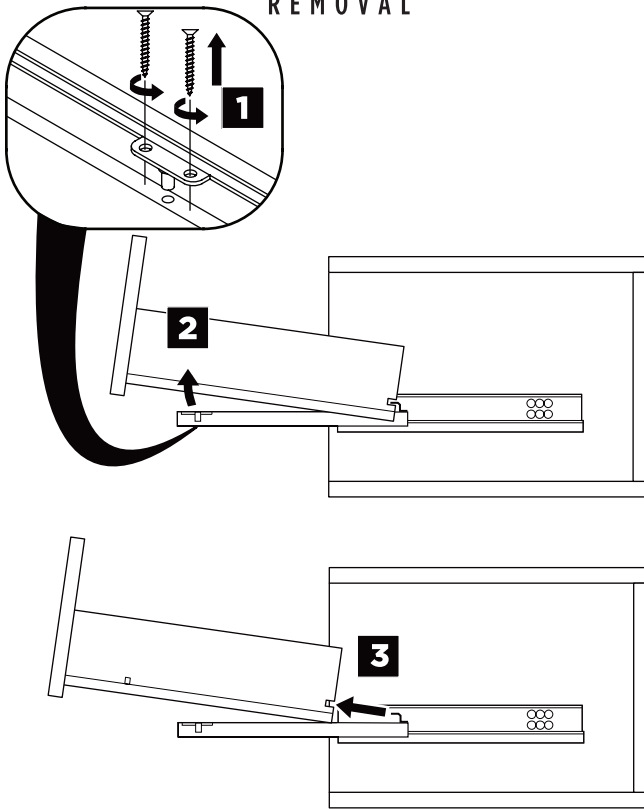


MIRROR INSTALLATION

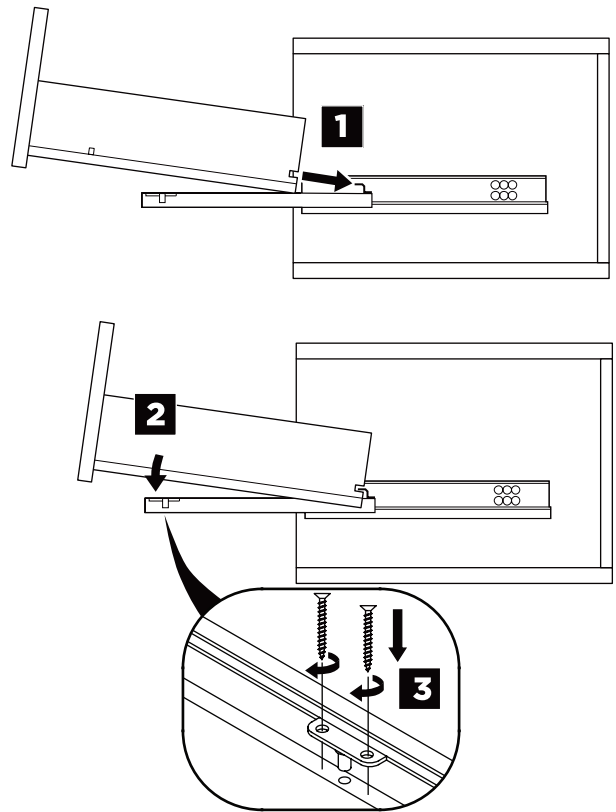


DRAWER REMOVAL & INSTALLATION

REMOVAL



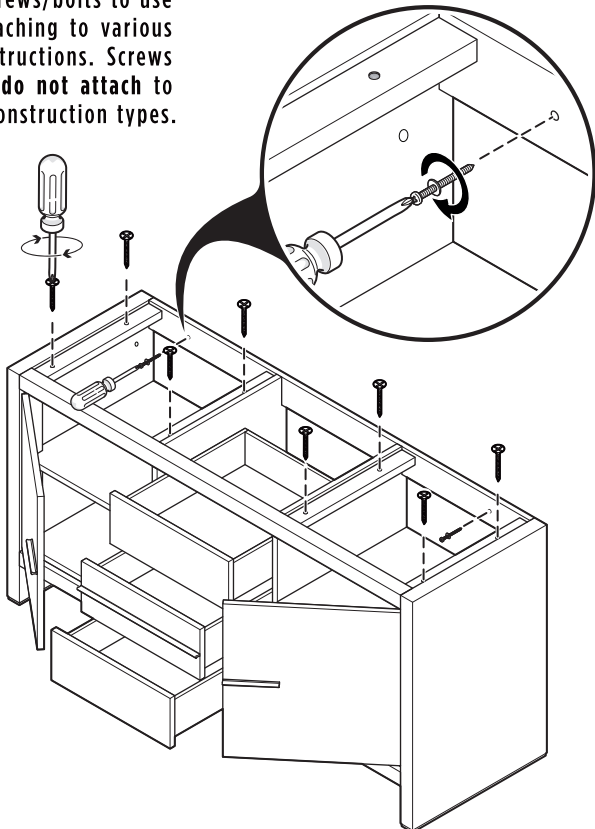
INSTALLATION



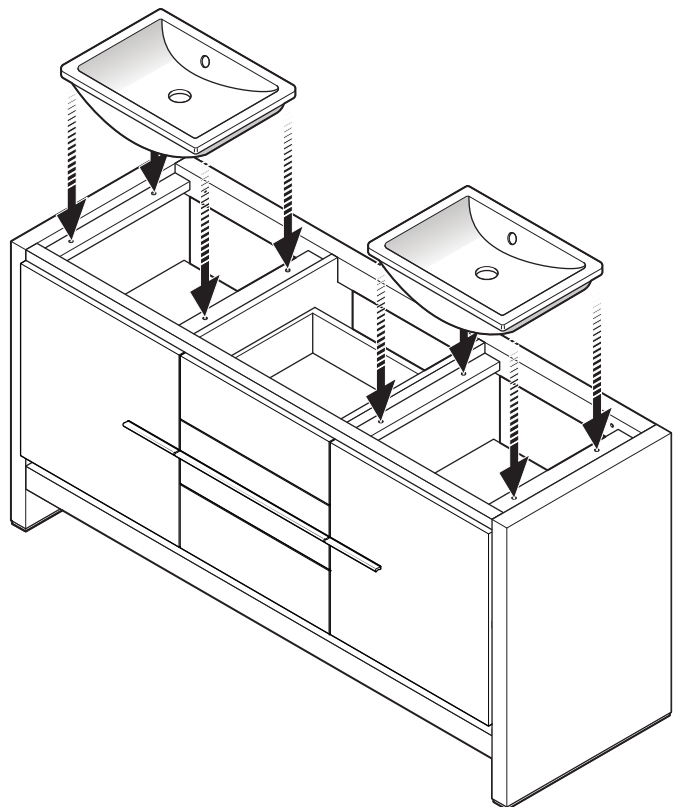
1 Attach Screws

IMPORTANT:

Consult an expert for the proper screws/bolts to use when attaching to various wall constructions. Screws provided **do not** attach to all wall construction types.

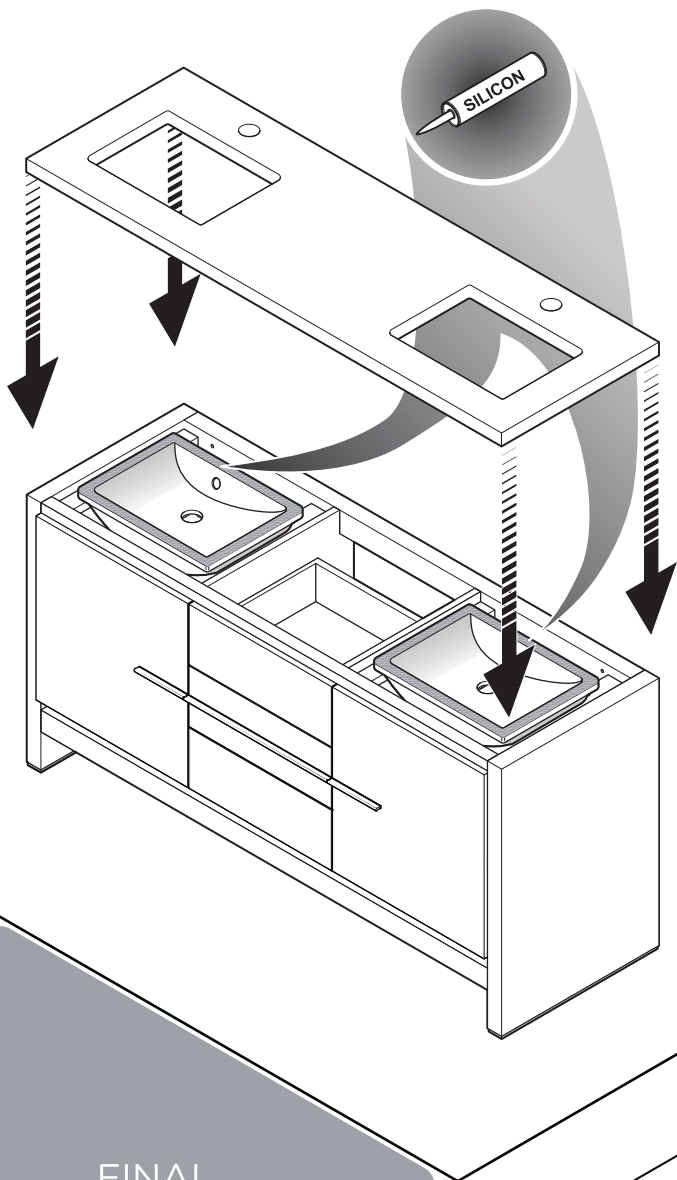


2 Install Sinks



3

Install Countertop

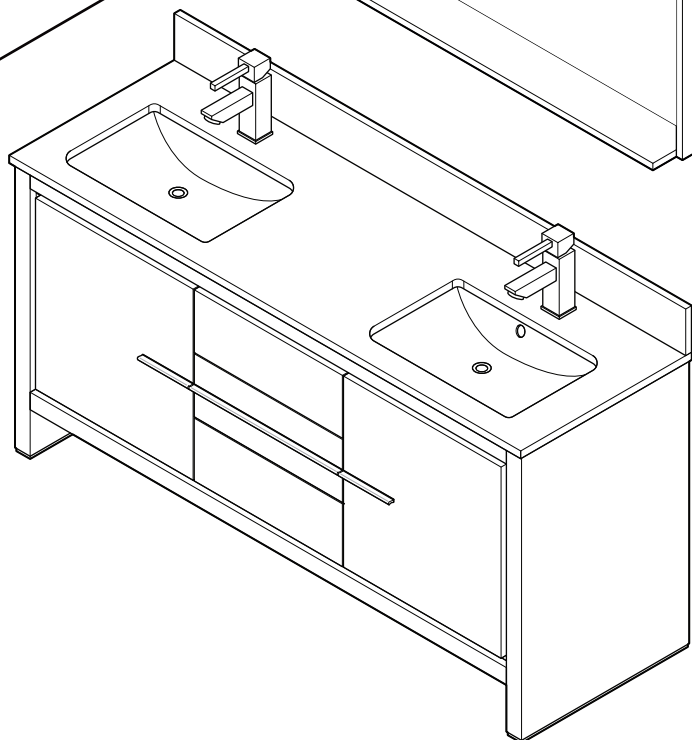
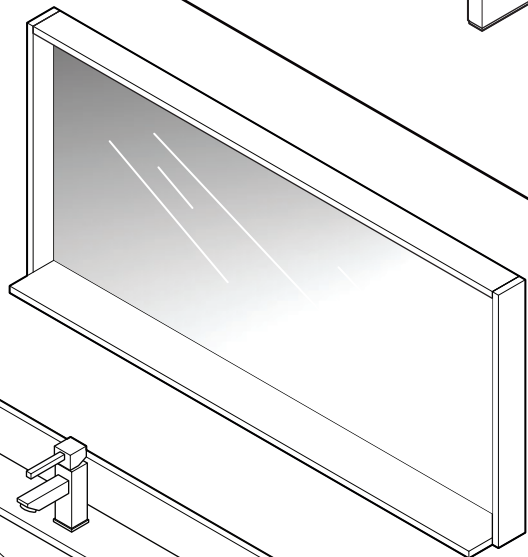
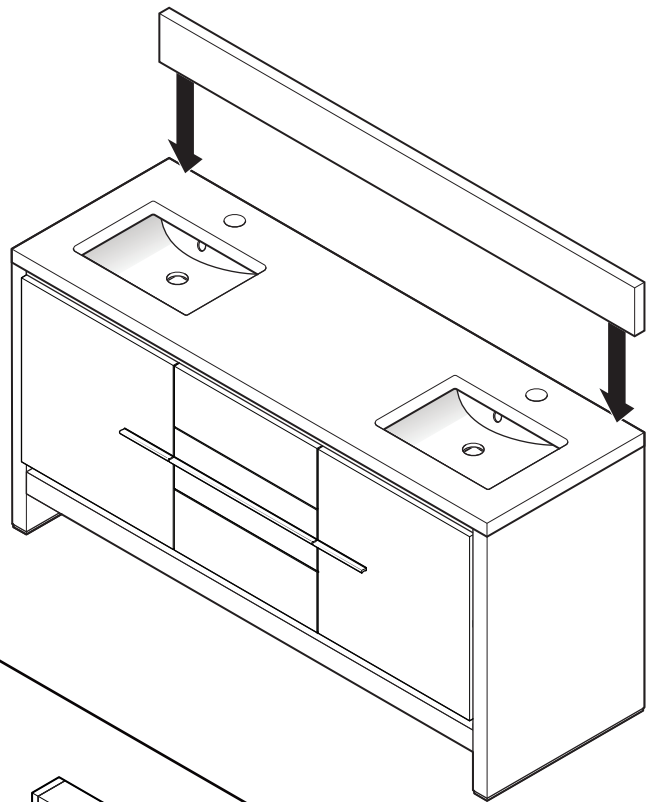


FINAL
PRODUCT

FVN8119

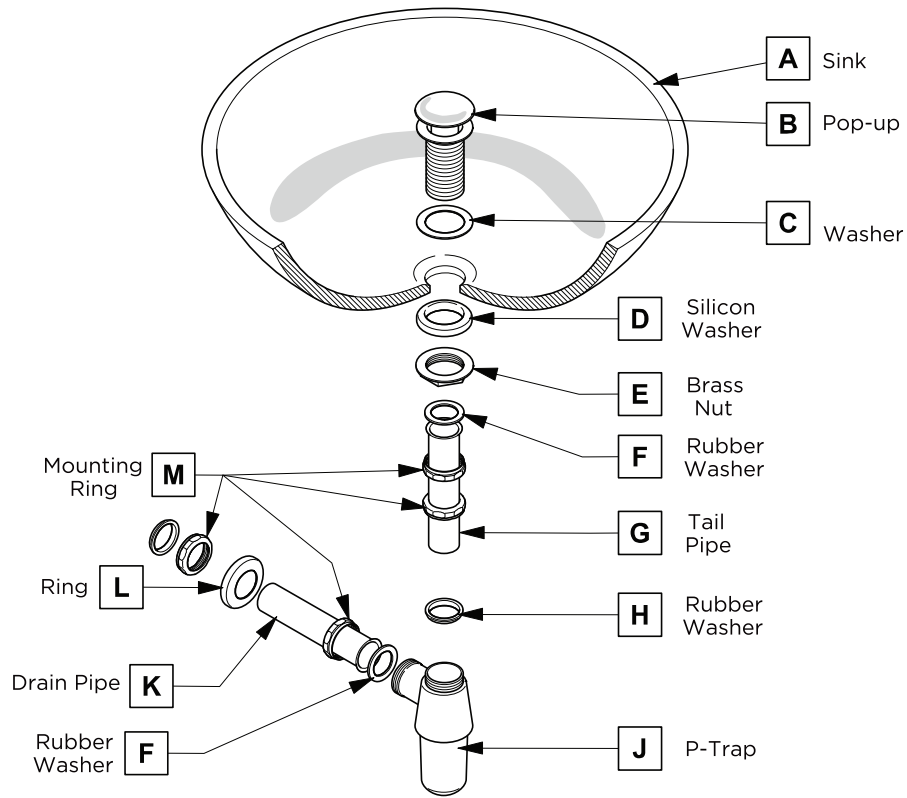
4

Install Backsplash



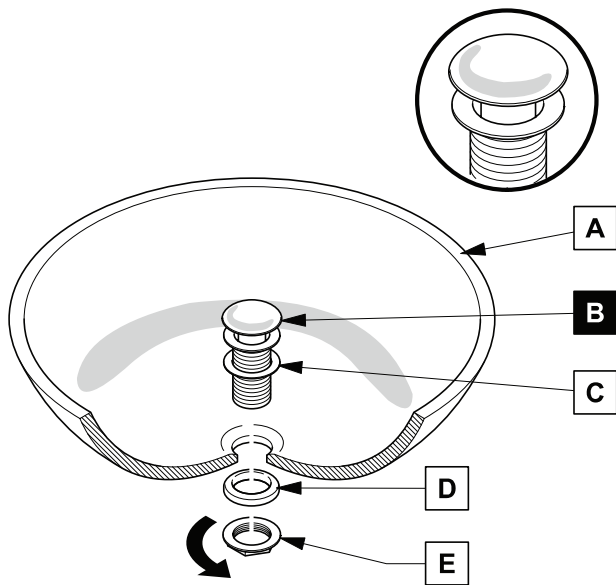
P-TRAP & POP-UP INSTALLATION INSTRUCTIONS

Your item may appear slightly different from the illustration



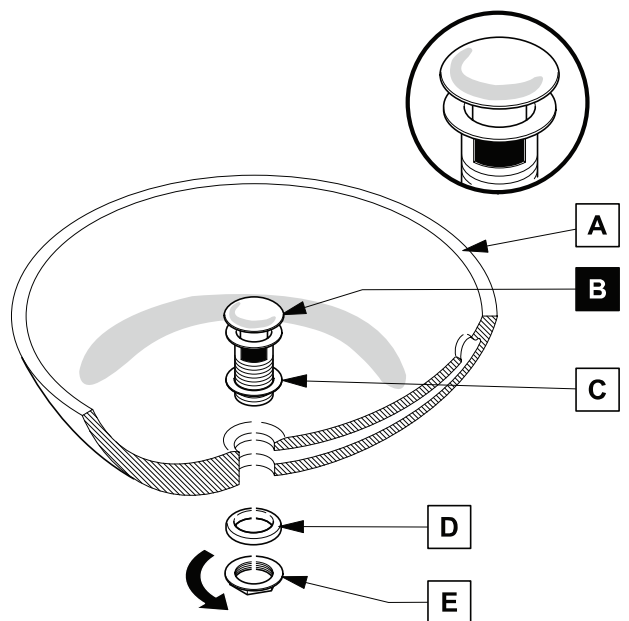
POP-UP INSTALLATION

FOR SINKS WITHOUT OVERFLOW



OR

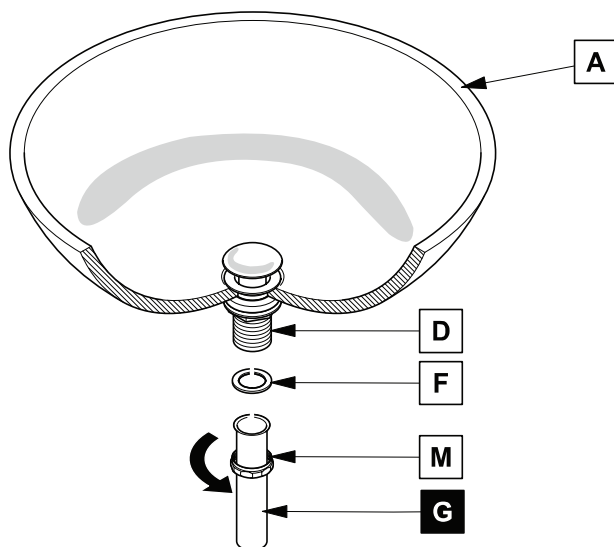
FOR SINKS WITH OVERFLOW



P-TRAP INSTALLATION

1

Install tail pipe (G)



2

Install p-trap (J)

