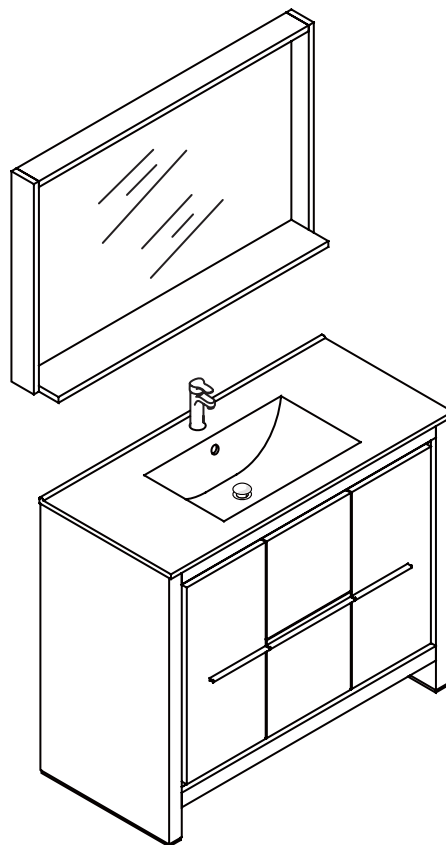
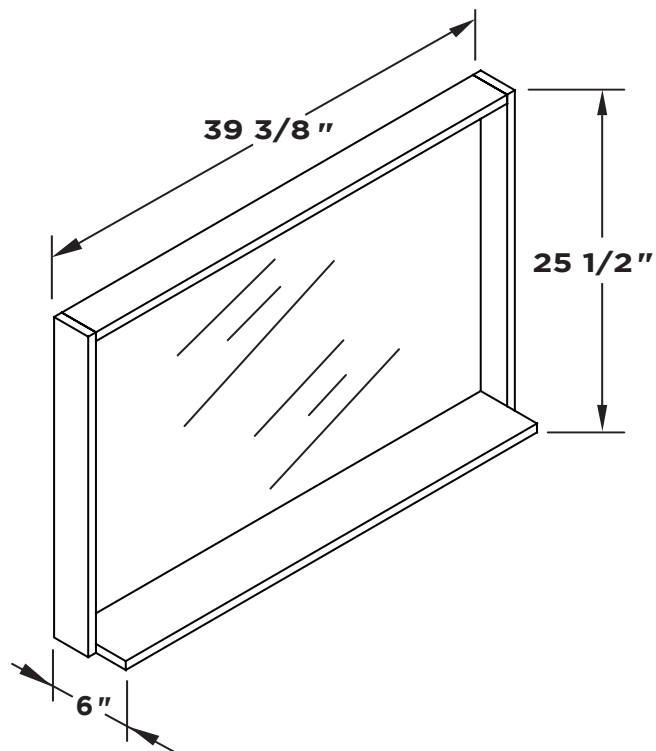
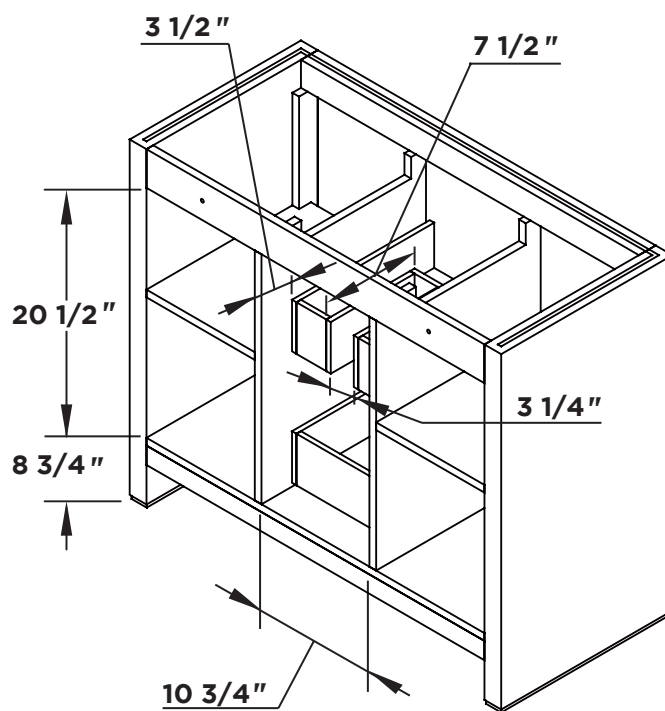
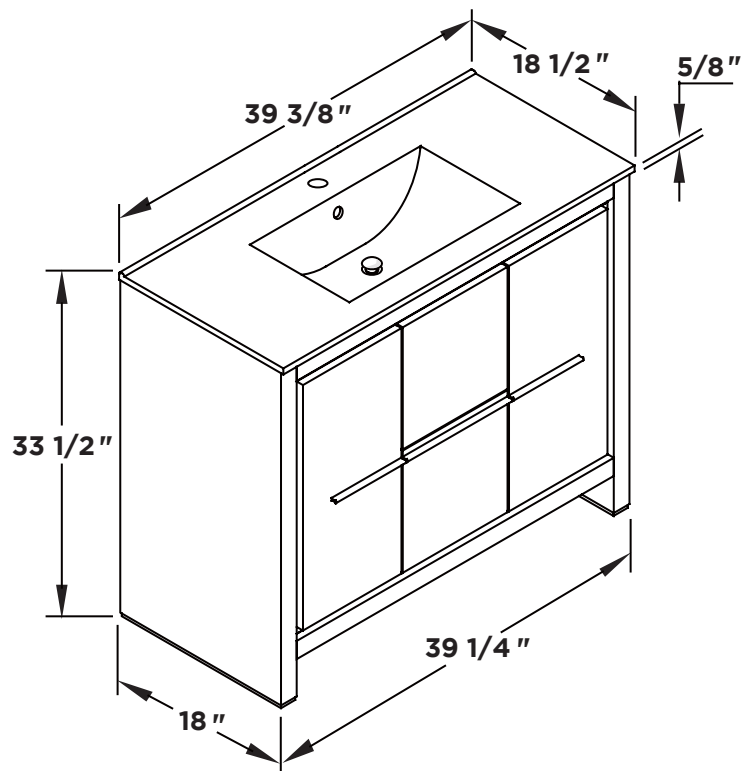


Mirror

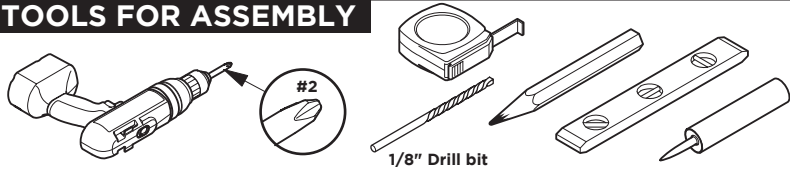


Vanity Front

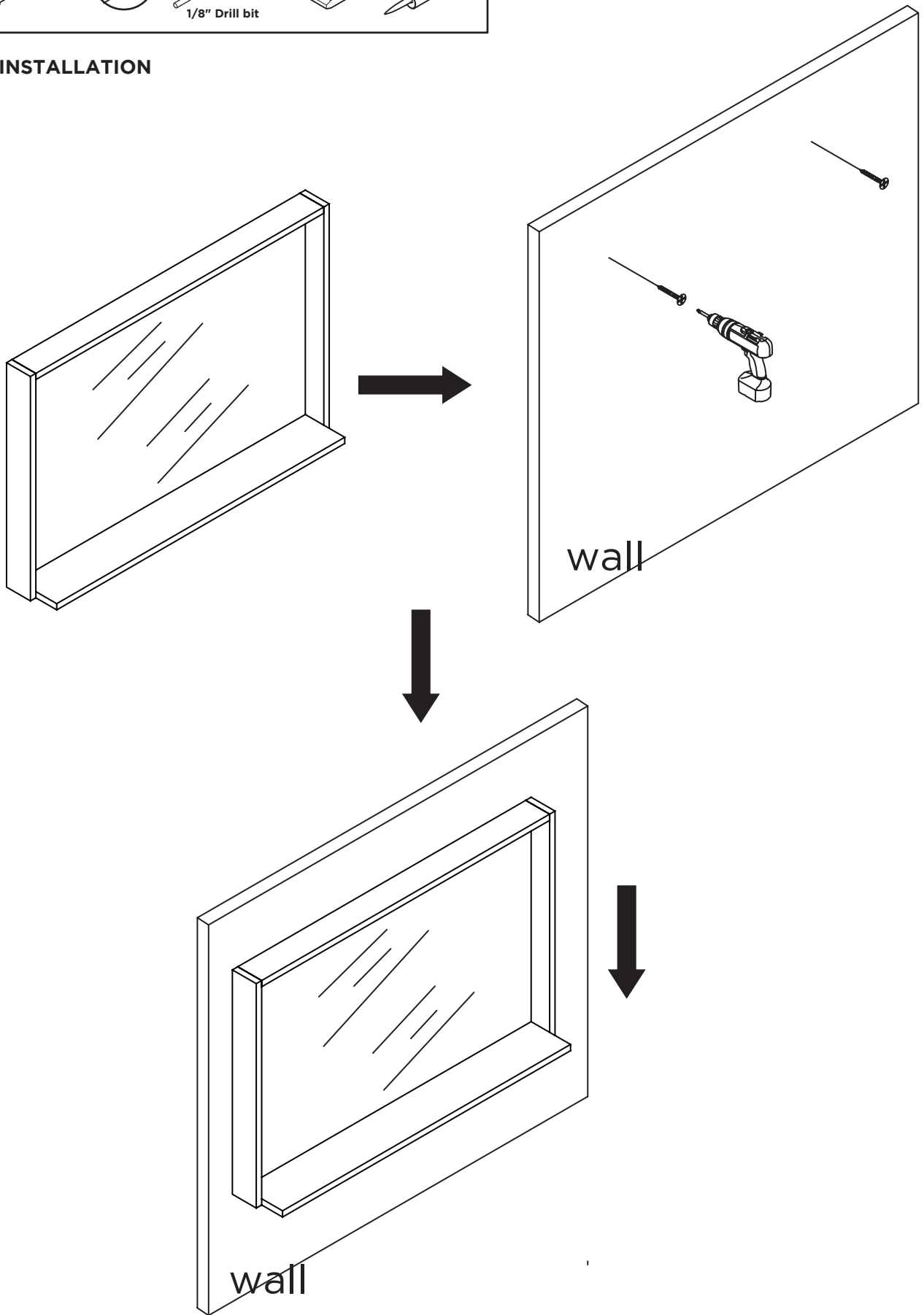
Vanity Back



**TOOLS FOR ASSEMBLY**

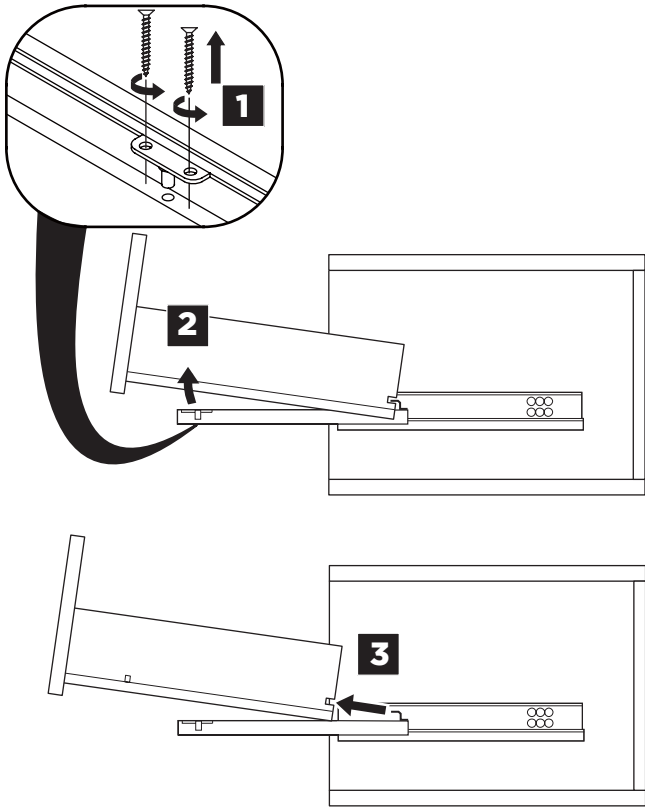


**MIRROR INSTALLATION**

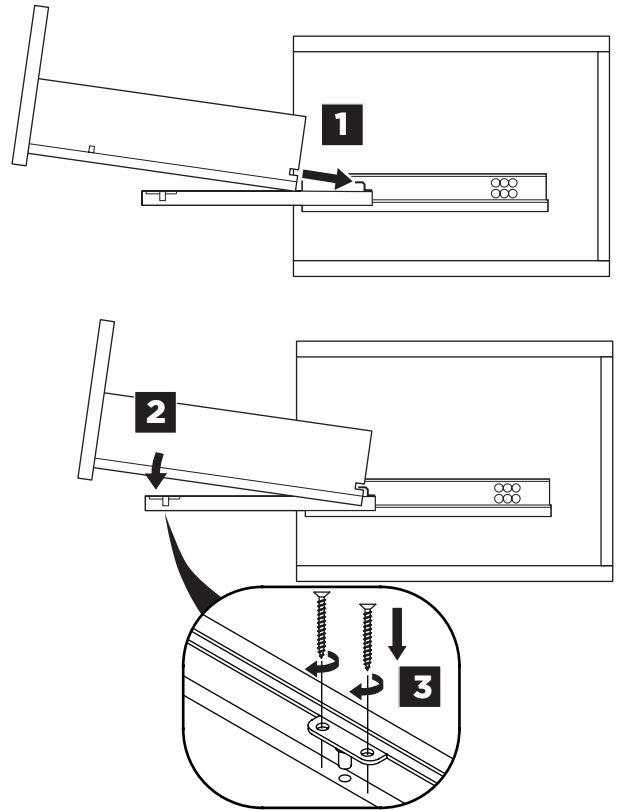


# DRAWER REMOVAL & INSTALLATION

## REMOVAL



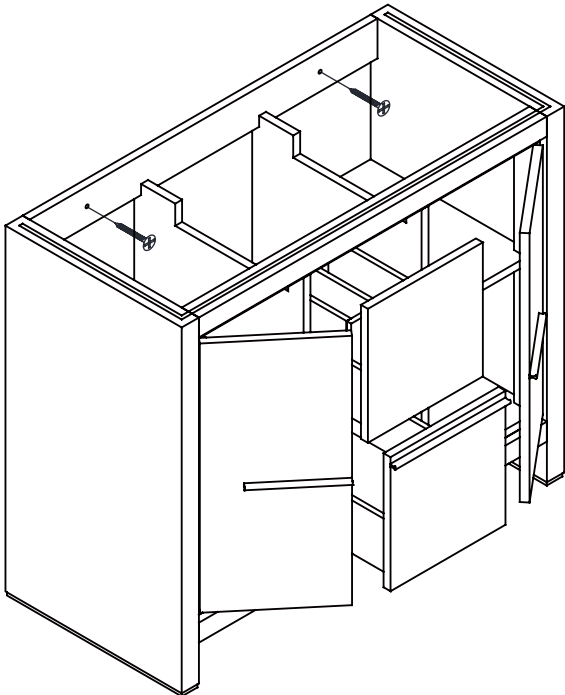
## INSTALLATION



**1**

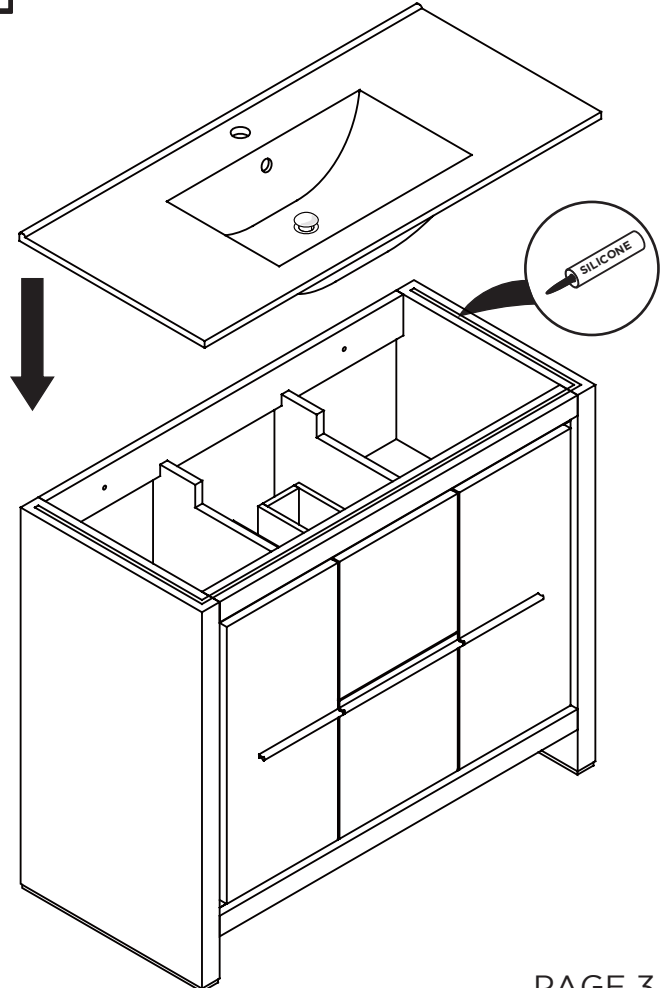
Remove drawer and open the door

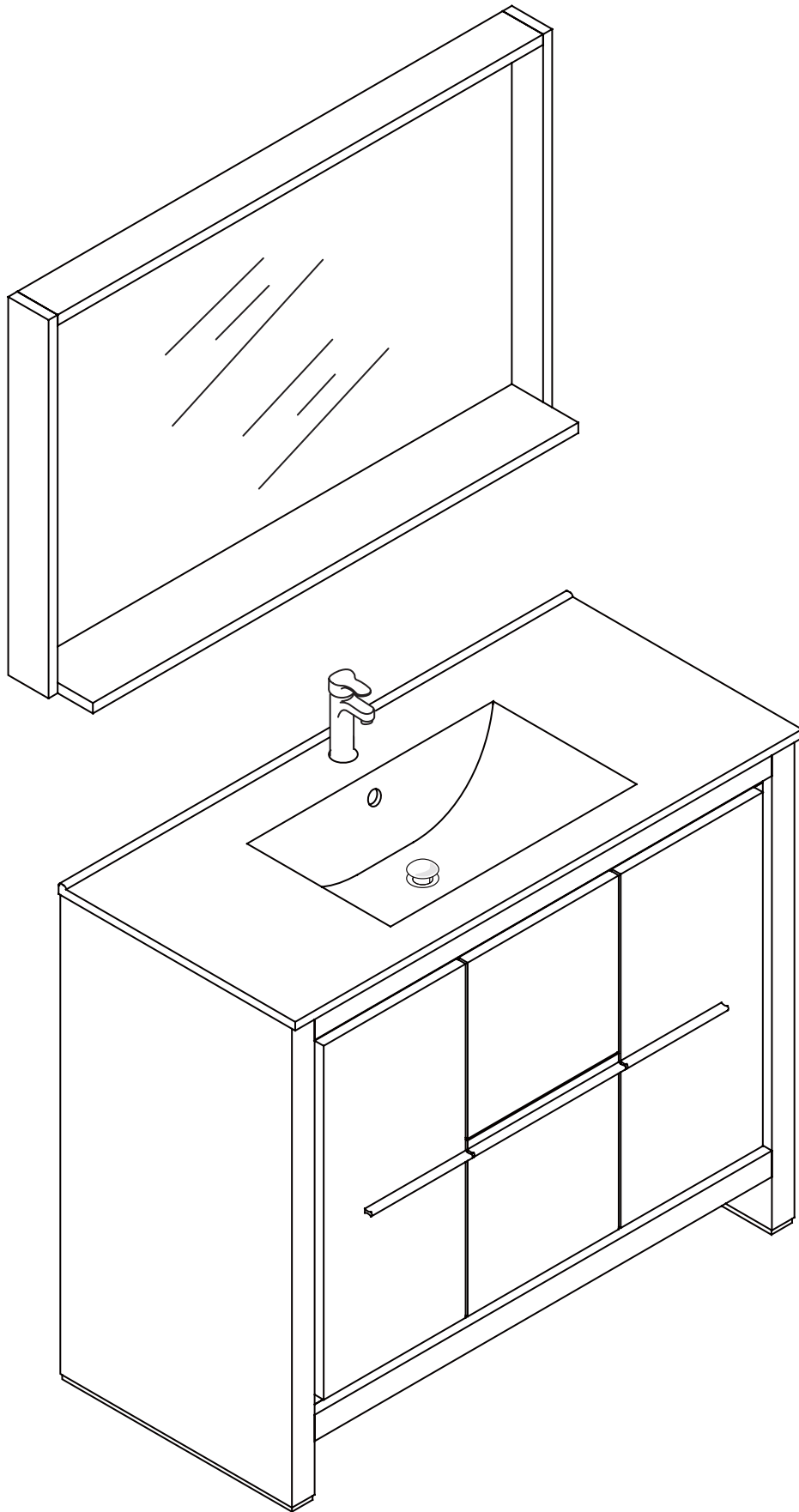
**IMPORTANT:** Consult an expert for the proper screws/bolts to use when attaching to various wall constructions. Screws provided do not attach to all wall construction types.



**2**

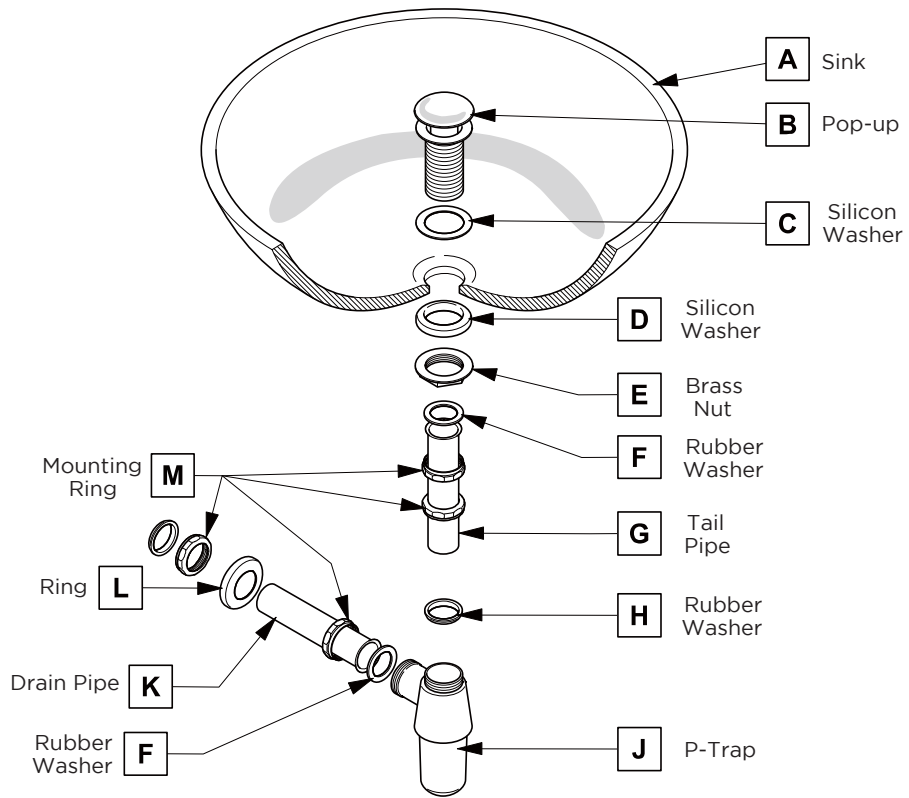
Install top panel





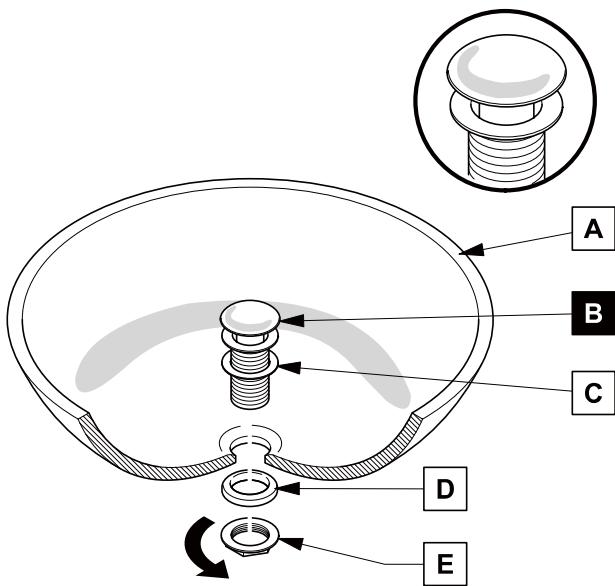
## P-TRAP AND POP-UP INSTALLATION INSTRUCTIONS

Generic sink used for illustrations. Your sink may vary



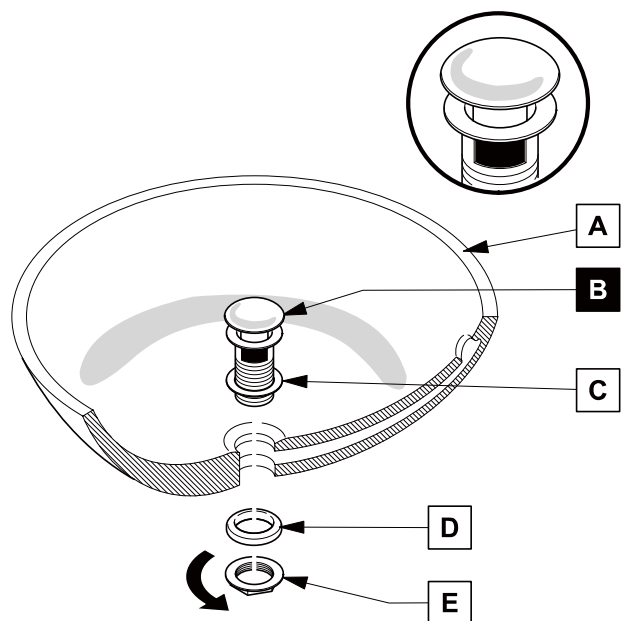
### POP-UP INSTALLATION

#### FOR SINKS WITHOUT OVERFLOW



**OR**

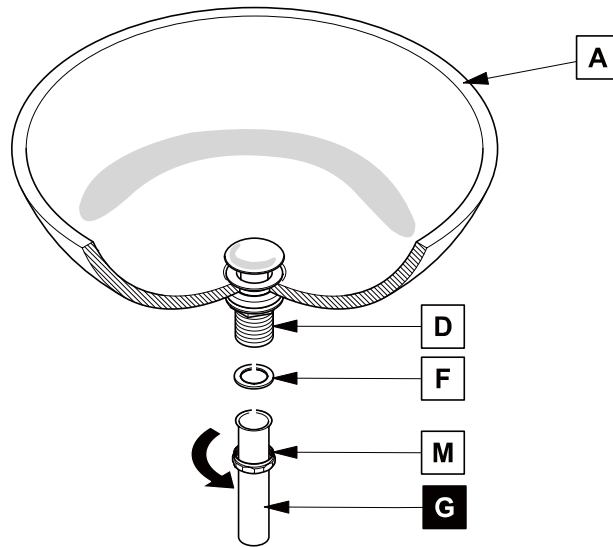
#### FOR SINKS WITH OVERFLOW



# P-TRAP INSTALLATION

1

Install tail pipe (G)



2

Install p-trap (J)

