

# WYNDHAM COLLECTION

Exterior Size - 59-1/2"L x 29-1/2"W x 22-5/8"H

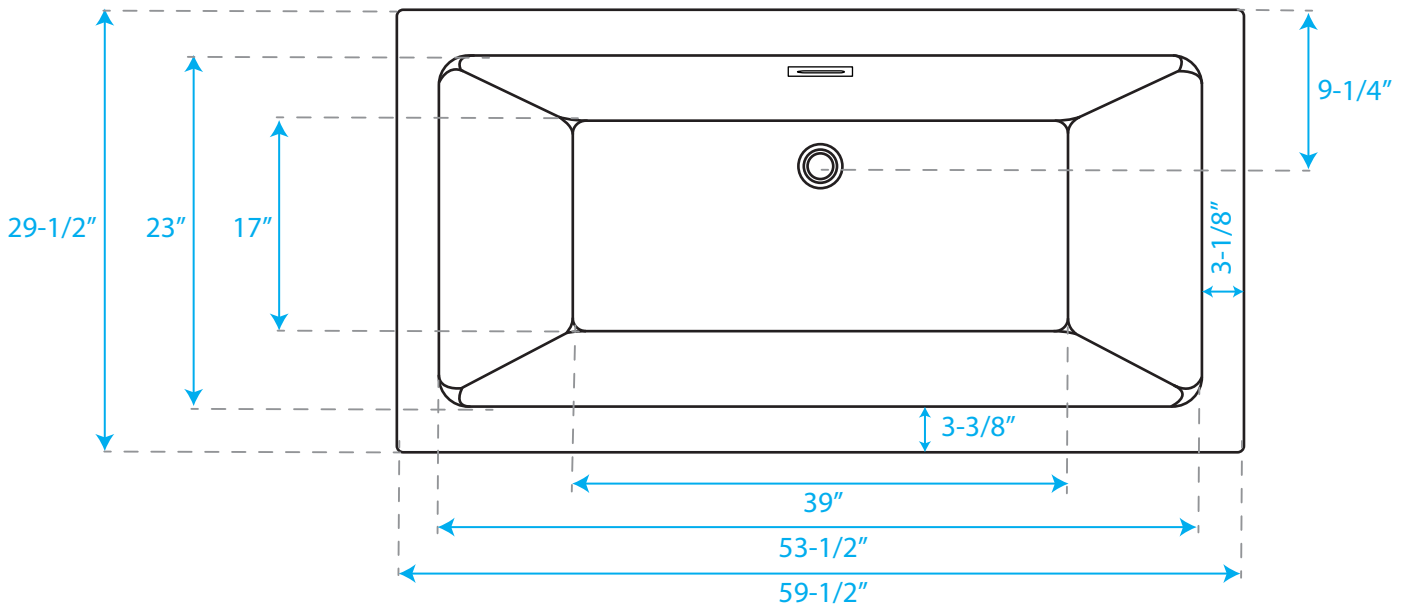
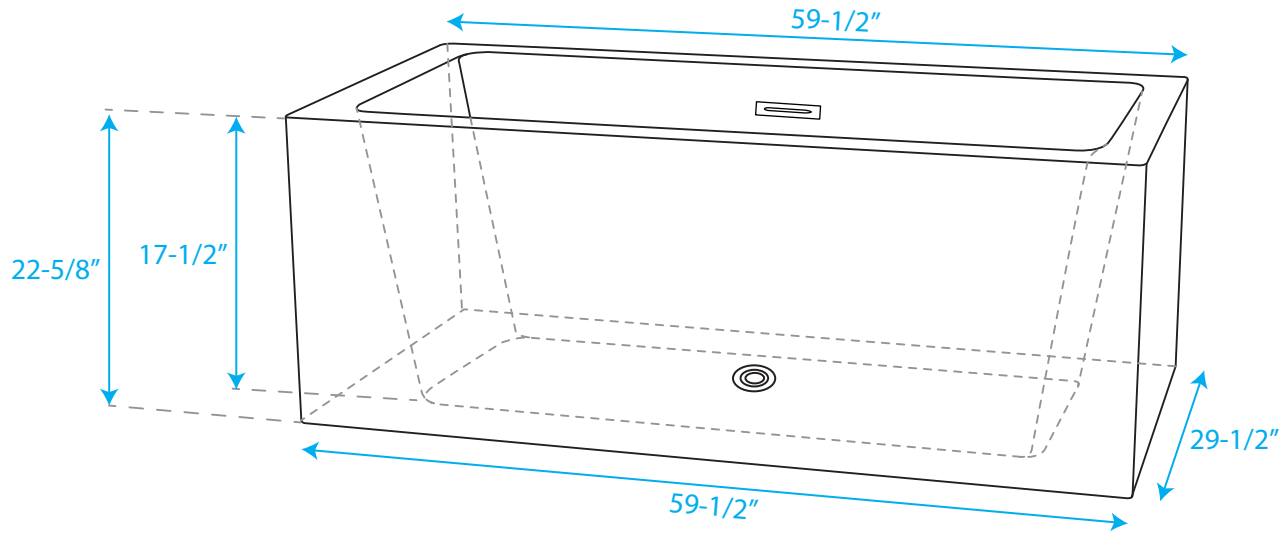
Interior Size - 53-1/2"L x 23"W x 17-1/2"H

Depth at Drain - 18"

Drain to Overflow - 14-1/2"

Maximum Fill - 43-1/2 Gallons

Note - All Measurements are  $\pm 1/2$ "



WC-BTM1011-60