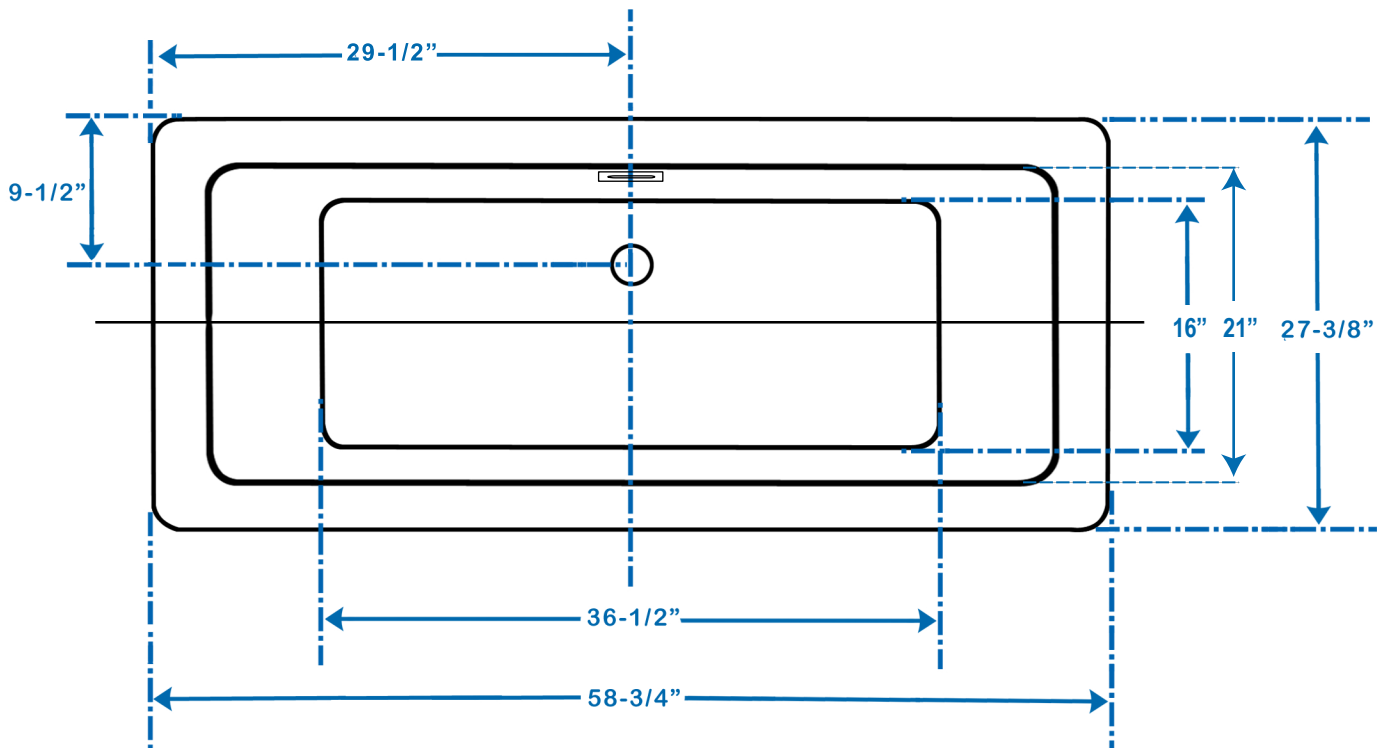
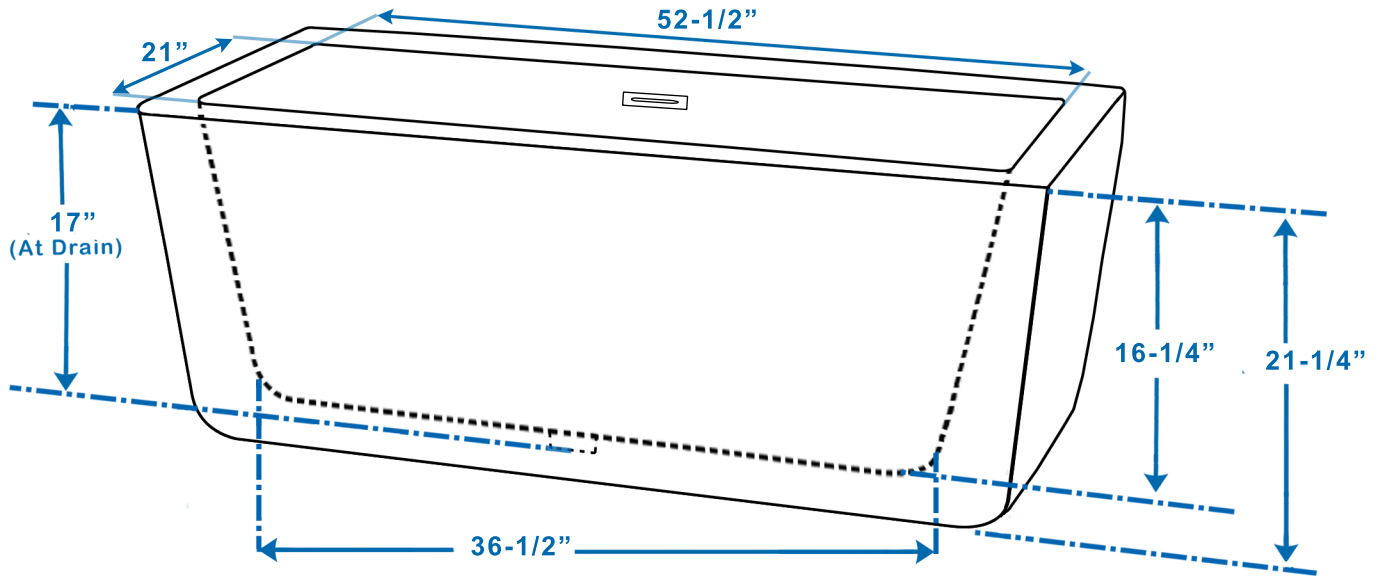


WYNDHAM COLLECTION

Exterior Size - 58-3/4"L x 27-3/8"W x 21-1/4"H
Interior Size - 52-1/2"L x 21"W x 16-1/4"H at top
Depth at Drain - 17"
Drain to Overflow - 12"
Maximum Fill - 43-1/2 Gallons
Note - All measurements are $\pm 1/2$ "



WC-BTM1005-59