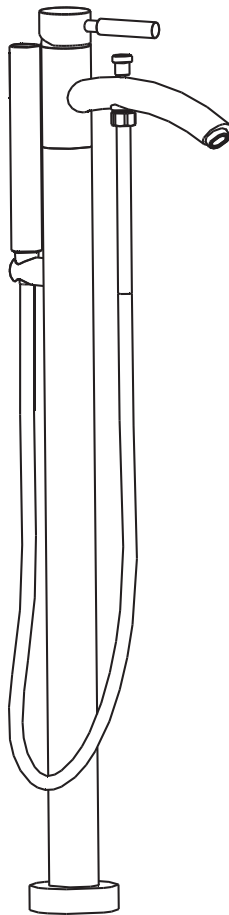


WYNDHAM  
COLLECTION

# Tub Filler Installation Instructions



WC-AT102340P11

# WYNDHAM COLLECTION

All information is based on the latest product information available at the time of publication. Product characteristics, packaging, and availability may change at any time without notice.

Installers, please keep these instructions for the consumer. They contain important information.

## ATTENTION

- ① The cartridges in the main body have been tested and adjusted by the factory. Do not take the cartridges apart.
- ② A platform may be built by the installer. No platform is included.
- ③ Clean the water supply pipe before installing to avoid jamming.
- ④ Connect the hot water supply on the left and the cold water supply on the right.

Flow pressure:                      Min: 0.05MPa                      Max: 1.60MPa  
Recommended pressure:        0.1MPa to 0.8MPa (1 to 8 bar)

## TO KEEP THE FAUCET LOOKING BEAUTIFUL FOLLOW THESE SIMPLE CARE INSTRUCTIONS REGULARLY

- Rinse the faucet clean with clean water.
- Do not use any cleaning agents containing abrasive or coated abrasive ingredients.
- Do not use any cleaning agents containing acids, polish abrasives, or harsh cleaner or soaps.

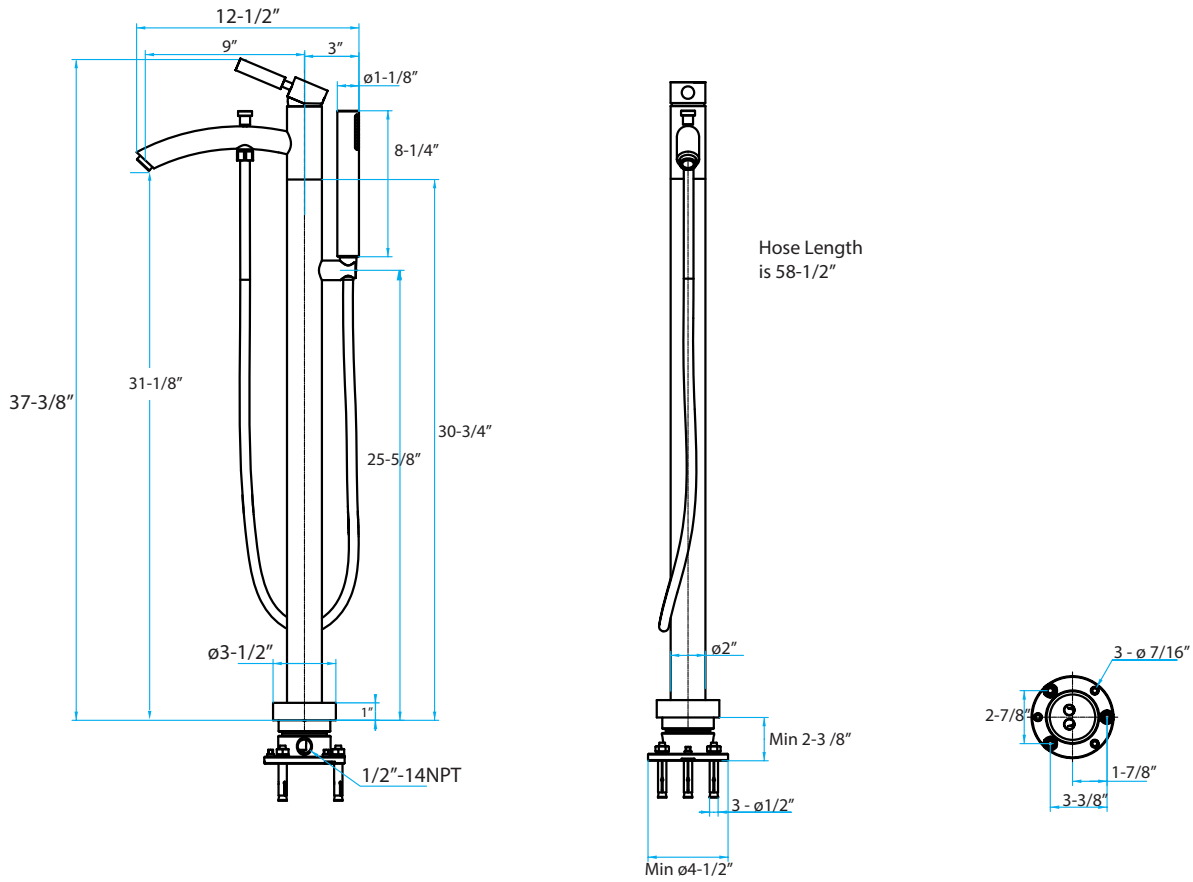
## IF HEAVY CLEANING IS REQUIRED, THE FOLLOWING PROCEDURES ARE RECOMMENDED

- ① Clean the faucet with water.
- ② Remove tough surface film and build-up with soft liquid cleaning agents, clear liquid glass cleaners, non-acidic, non-abrasive gentle liquid, fully dissolved powder cleansers mixed according to manufactures directions, or non-abrasive liquid polishers.
- ③ After cleaning, make sure to rinse sufficiently with clean water in order to completely remove any remaining cleanser and dry with a soft cotton cloth.

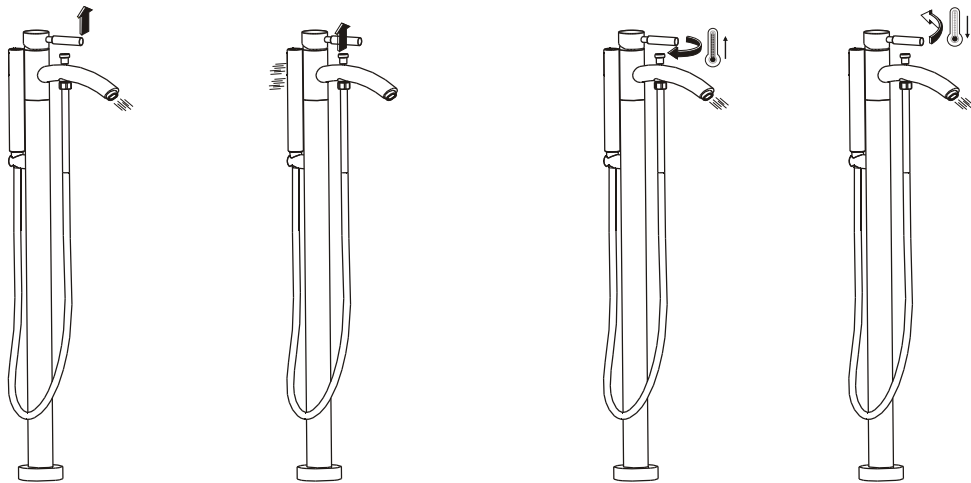
WC-AT102340P11

# WYNDHAM COLLECTION

## ROUGH-IN DIMENSIONS



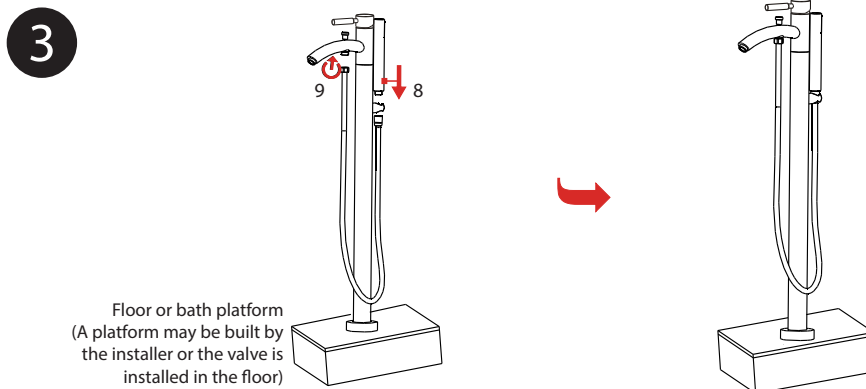
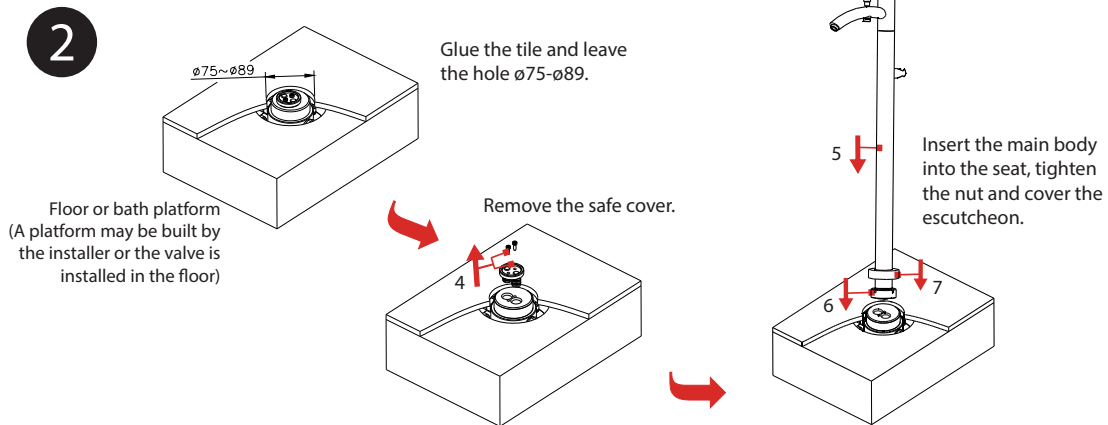
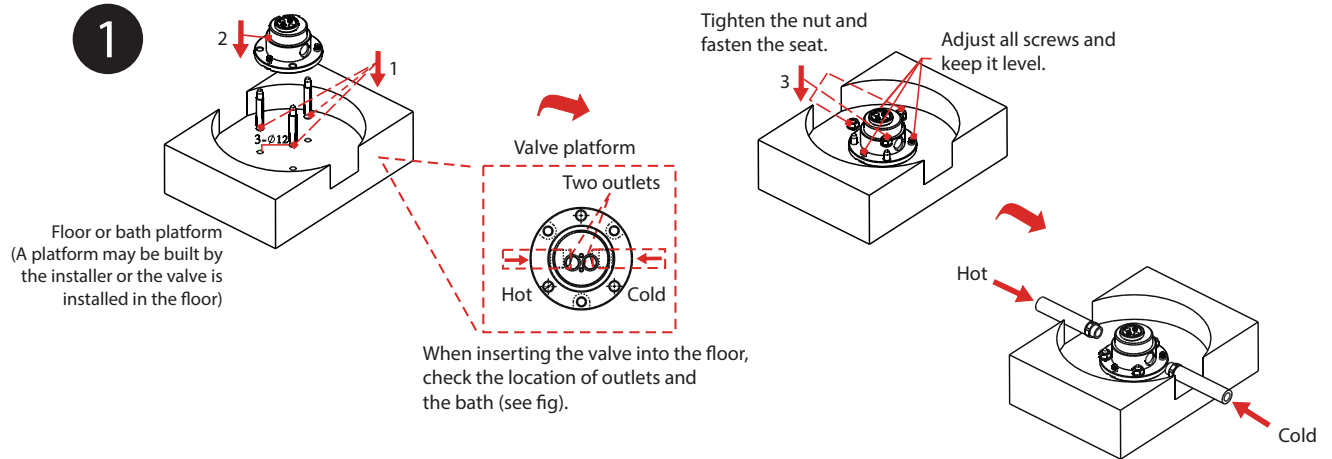
## OPERATION INSTRUCTIONS



WC-AT102340P11

# WYNDHAM COLLECTION

For easy installation read these instructions carefully.



WC-AT102340P11