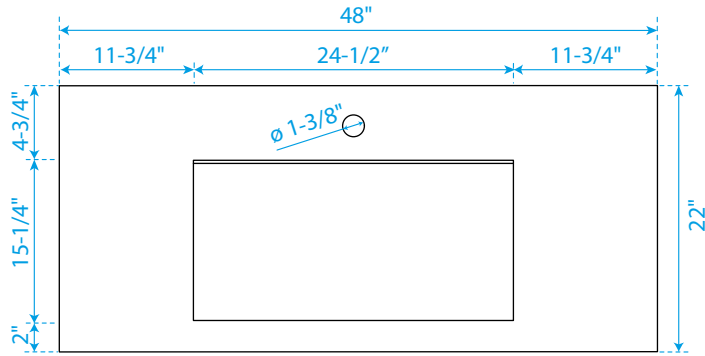
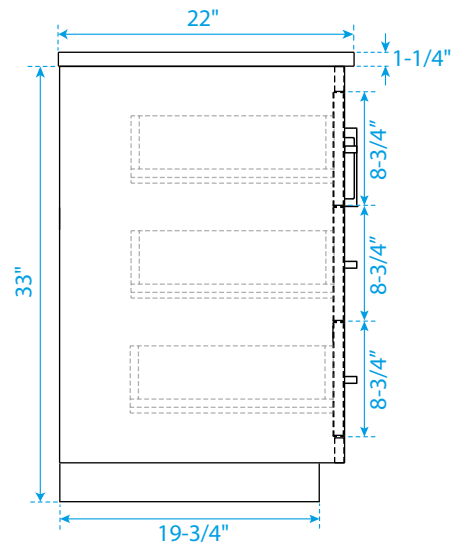
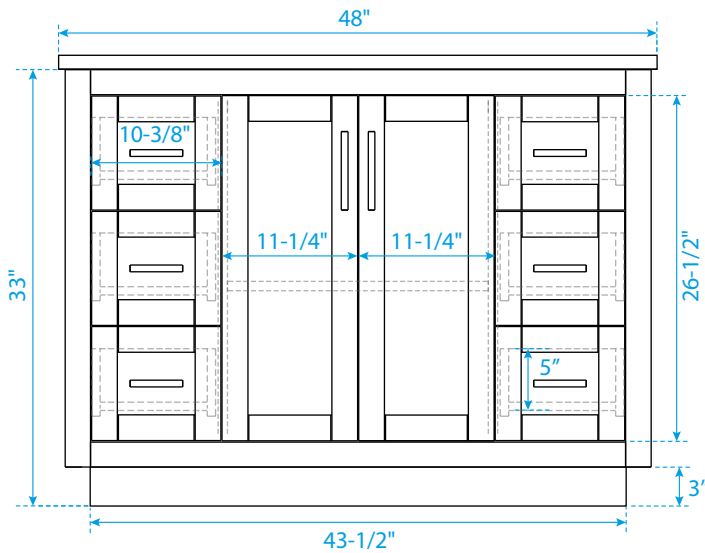
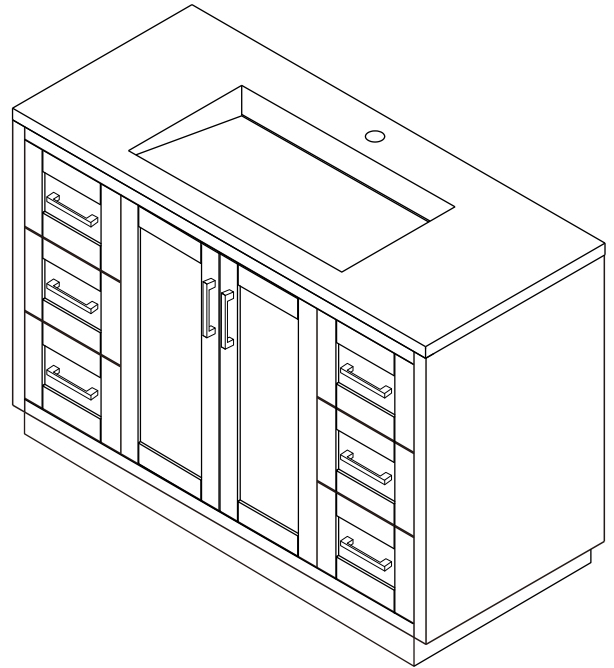
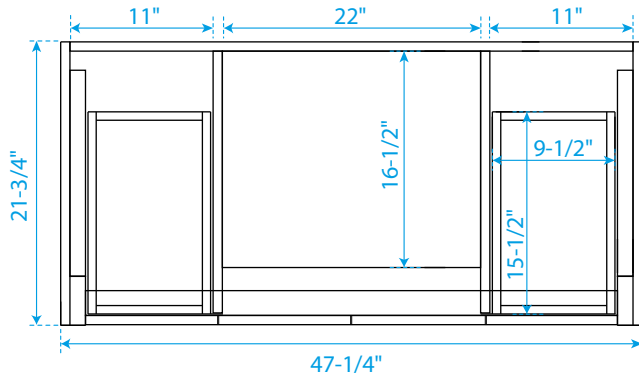


WYNDHAM COLLECTION



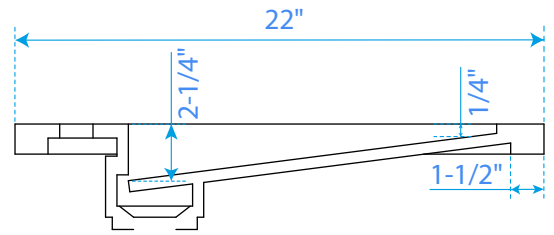
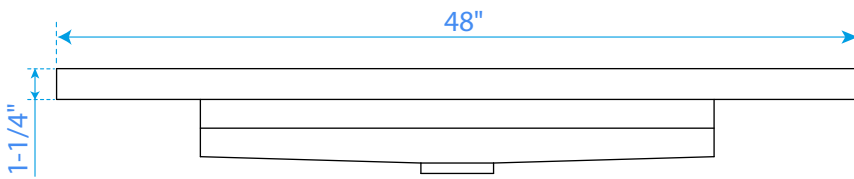
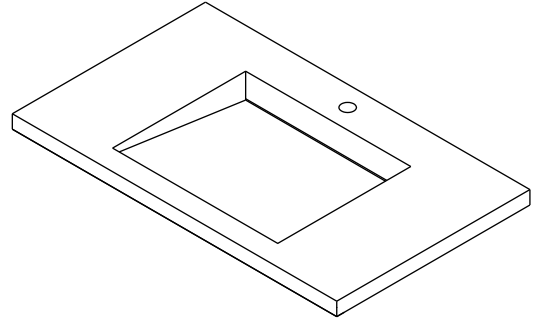
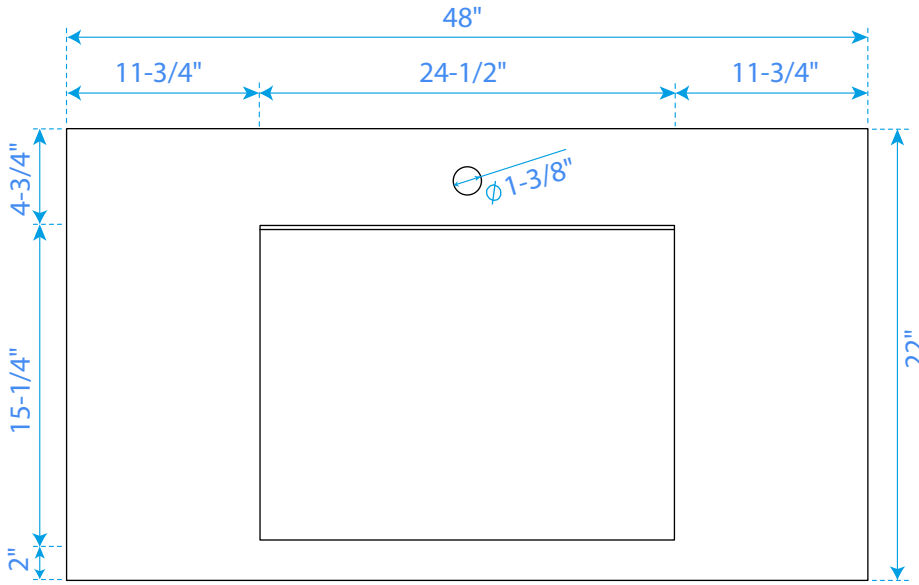
TOP VIEW OF VANITY CABINET



*Note: All measurements are $\pm 1/4"$.

WC-2929-48-SGL
with integrated sinks

WYNDHAM COLLECTION



*Note: All measurements are $\pm 1/4"$.

WC-KC1-48-SGL-TOP