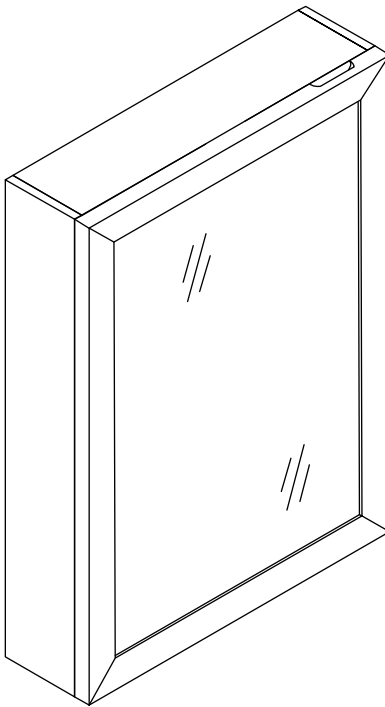
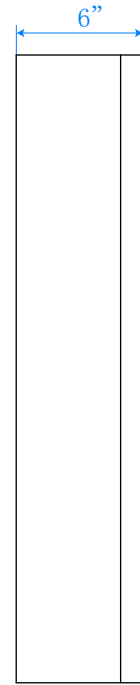
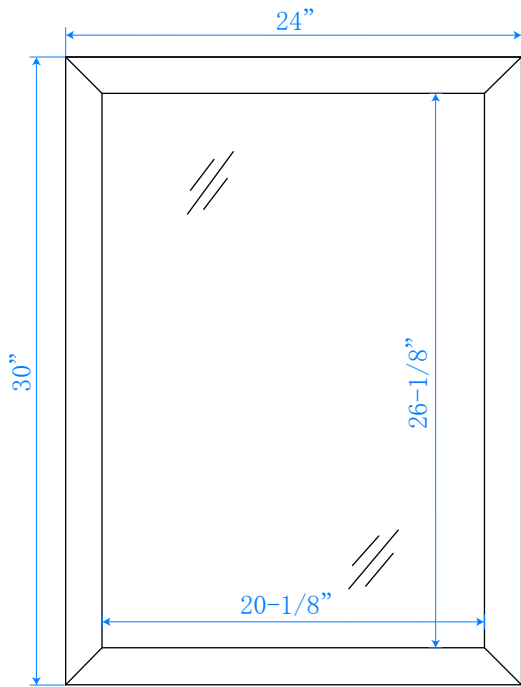


WYNDHAM COLLECTION



Note: All Measurements are $\pm 1/4"$

WC-2525-MC24