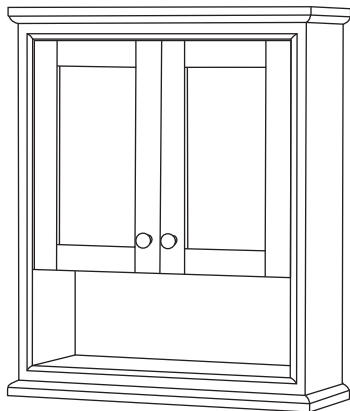


WYNDHAM COLLECTION



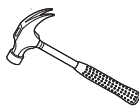
1



Electric drill



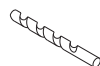
Pencil



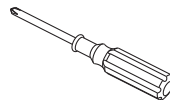
Hammer



Tape measure



Drill bit



Screwdriver



Stud Bolt
4-pieces



Screws
4-pieces



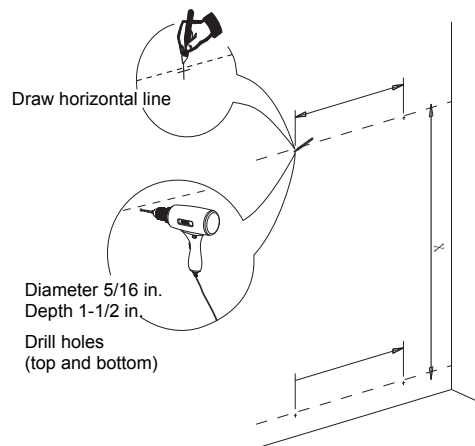
Washer
4-pieces



Screw cover
4-pieces

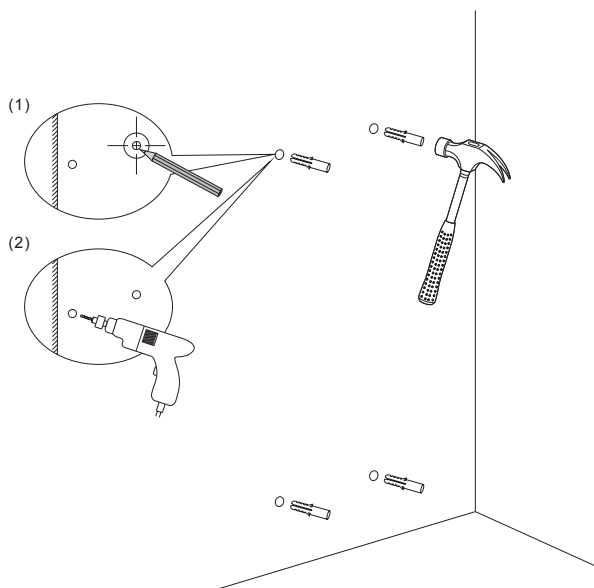
2

Measure positions on wall to reflect predrilled holes located inside of cabinet (top and bottom)



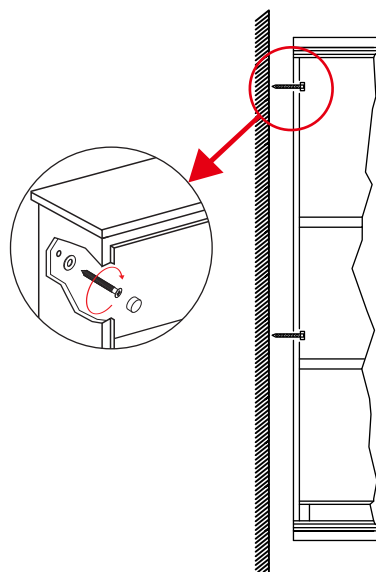
3

After holes are drilled, hammer in the stud bolts into the holes. Then line up cabinet to match the predrilled holes on back of cabinet.



4

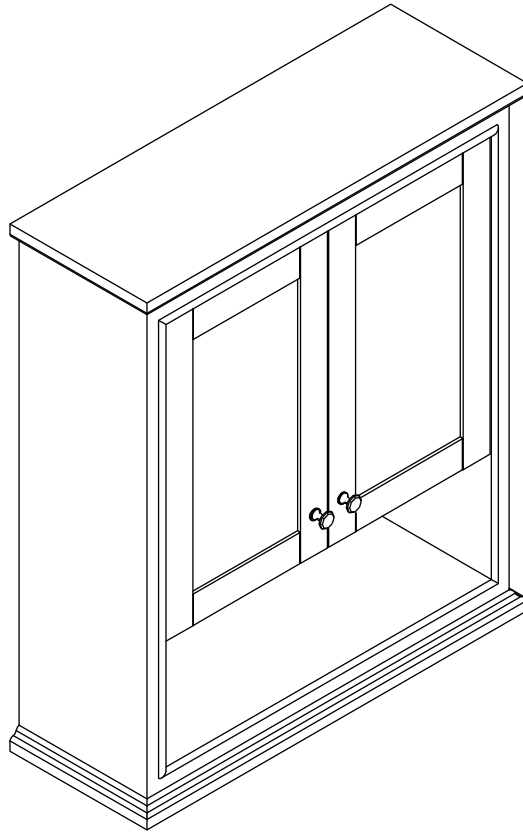
Put screws into the washer through the cabinet holes and tighten with screwdriver till cabinet is secure to the wall.



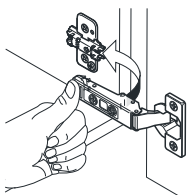
WC-2020-WC
INSTALLATION GUIDE

WYNDHAM COLLECTION

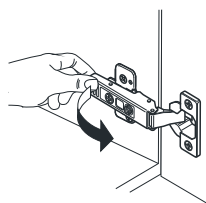
5



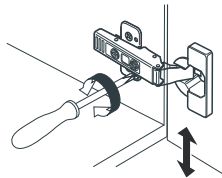
INSTALLATION AND ADJUSTMENT OF HINGES (if required)



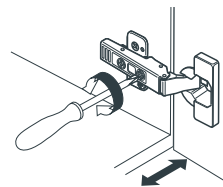
install



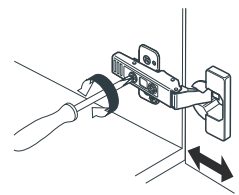
remove



adjust height



adjust laterally



adjust depth

WC-2020-WC
INSTALLATION GUIDE