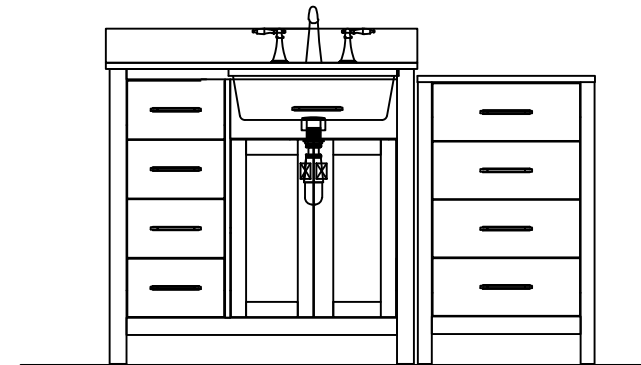
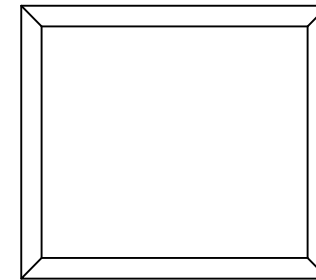


This model consists of individual cabinets to make the complete set.

Prior to installation, please check the items you have received against the packing list. Report any missing items to your local dealer immediately.

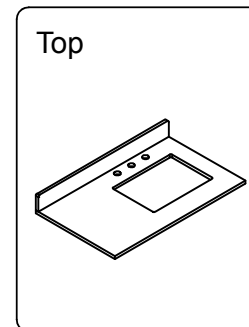
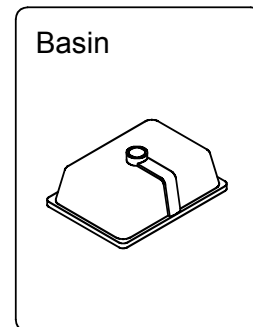
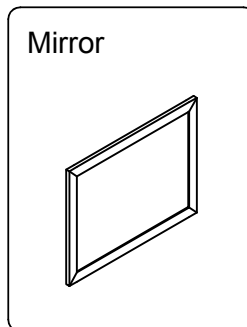
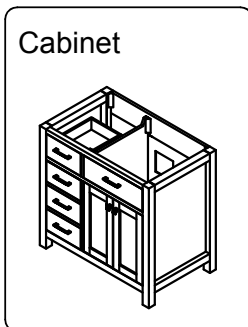
Protect all surfaces from sharp objects, high heat sources, direct prolonged sunlight and chemical hazards.



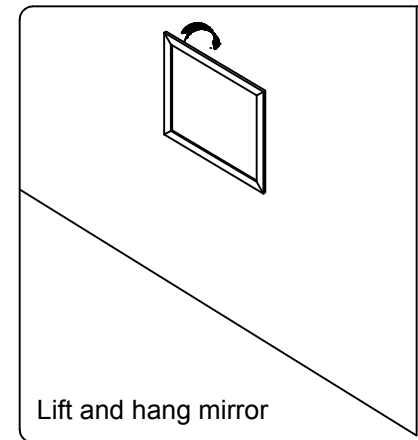
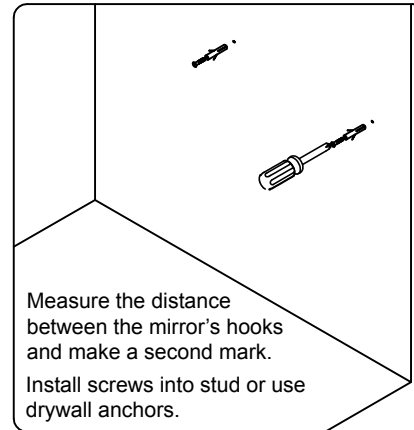
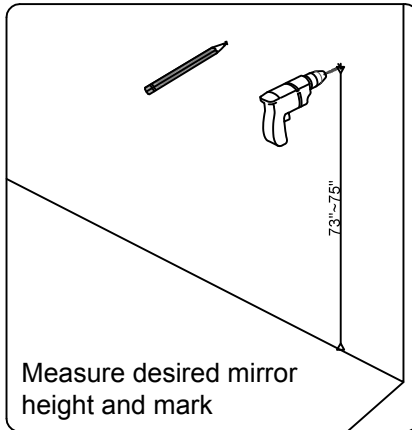
REQUIRED TOOLS



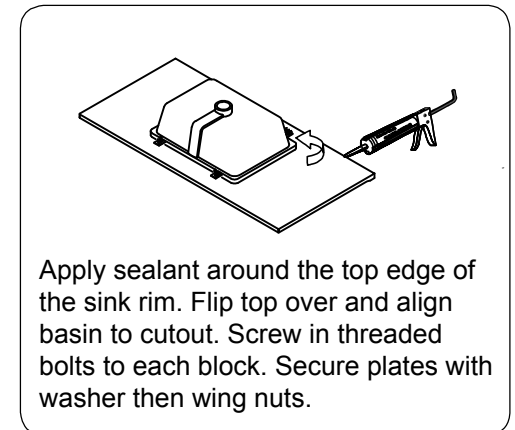
PARTS LIST (may differ depending on purchase)



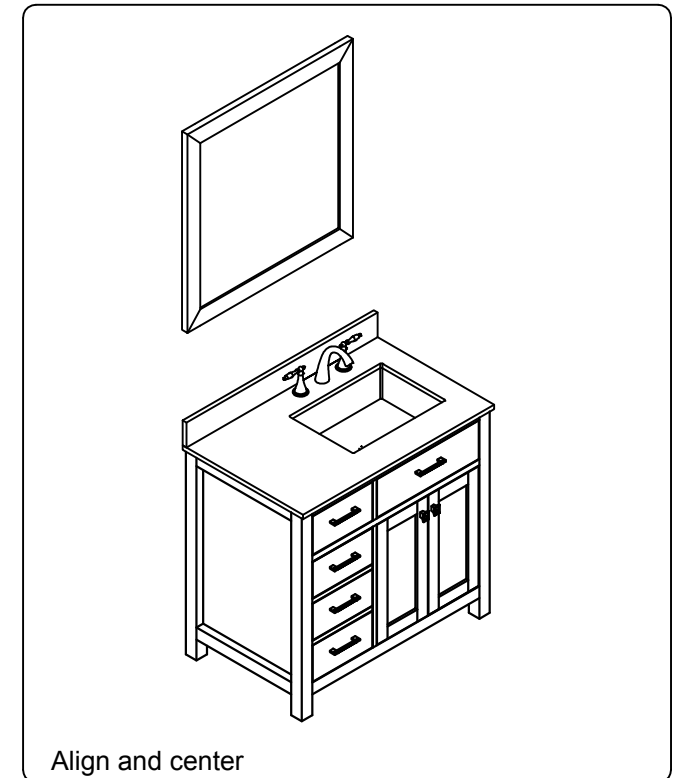
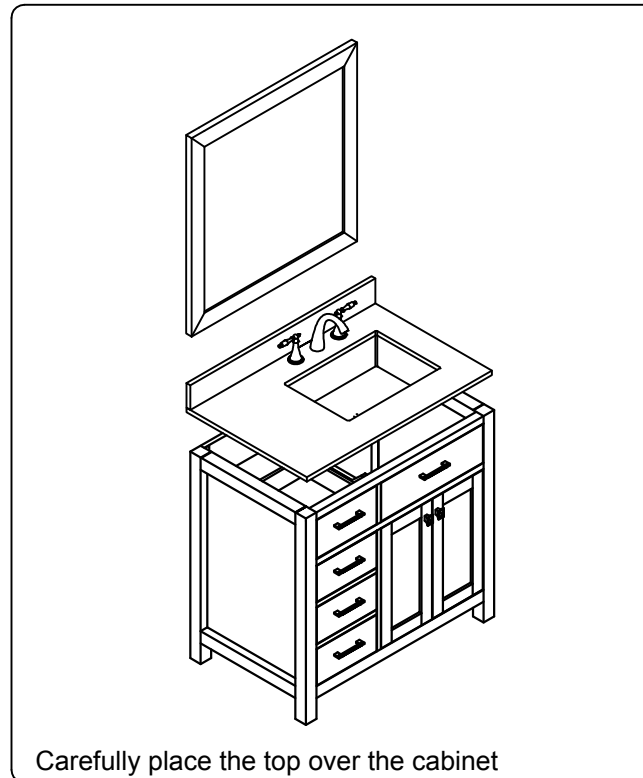
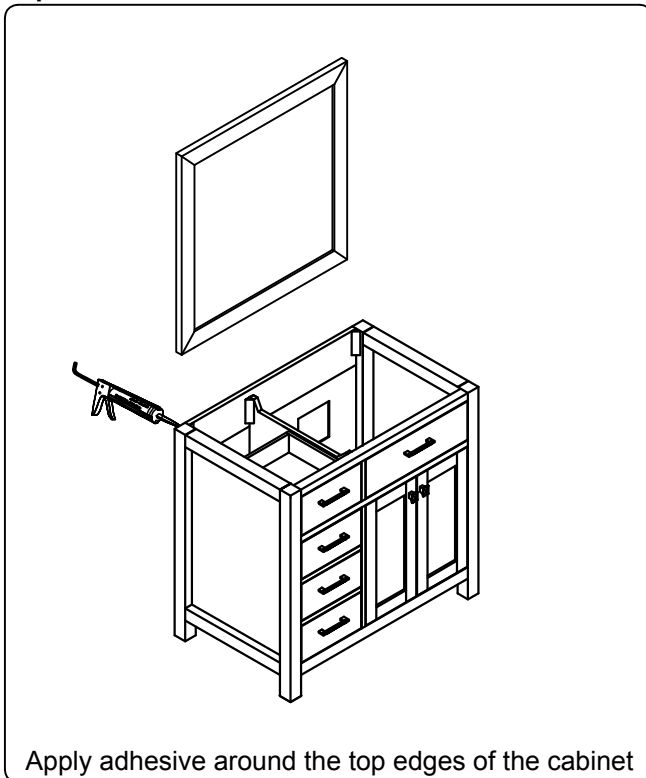
Mirror Installation



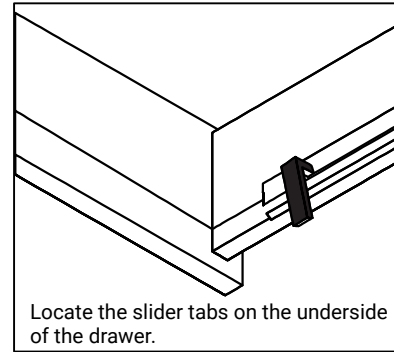
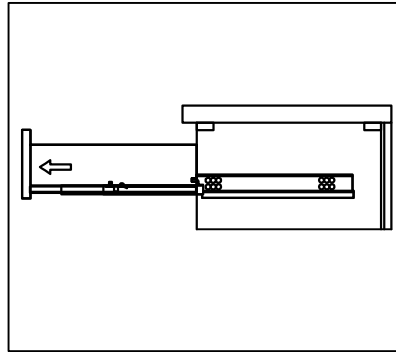
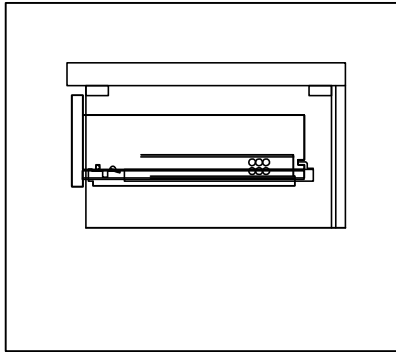
Basin Installation



Top Installation



DRAWER REMOVAL



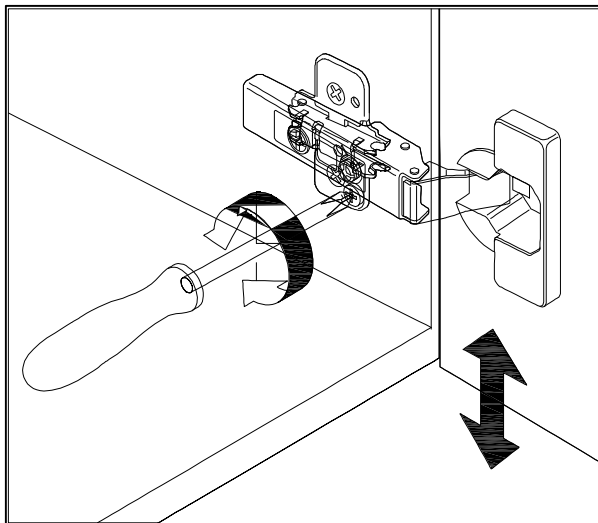
REMOVAL

1. Pull tabs toward center
2. Lift and pull drawer out

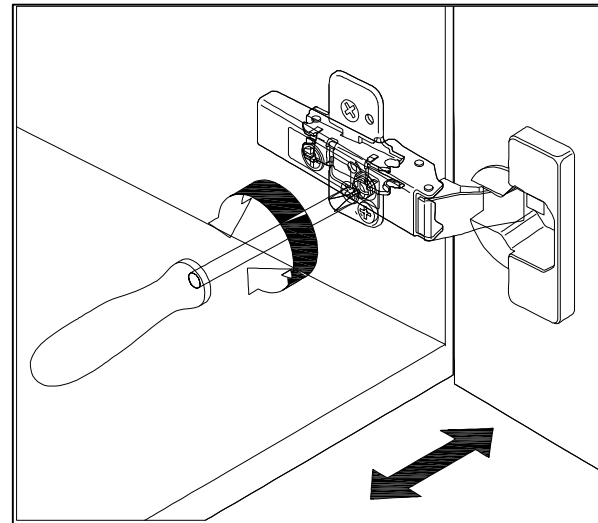
RE-INSTALL

1. Align drawer hole with slider stud
2. Push tabs back in to secure

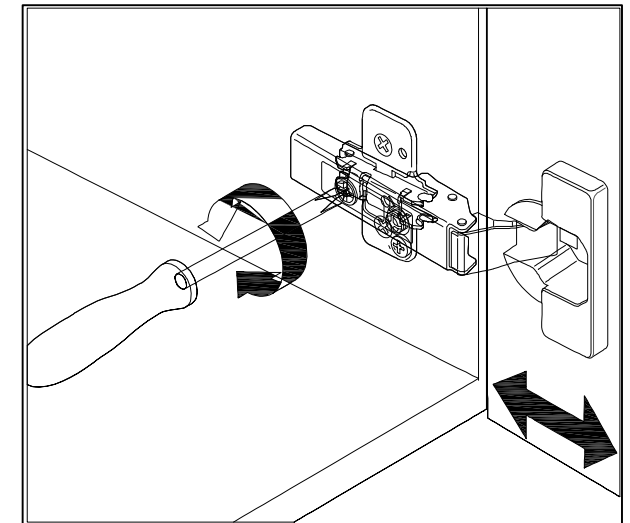
DOOR ADJUSTMENT



Adjusts the door vertically



Adjusts the door horizontally



Adjusts the door forward and backwards