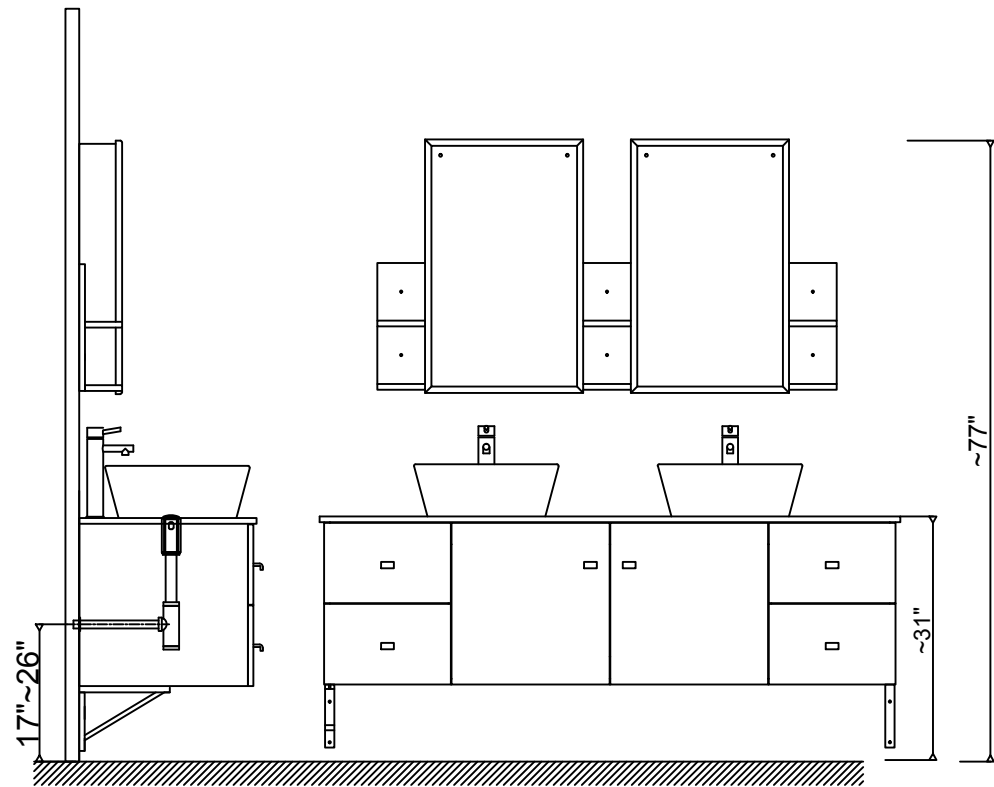


Prior to installation, please check the items you have received against the packing list. Report any missing items to your local dealer immediately.

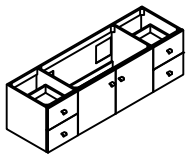
Protect all surfaces from sharp objects, high heat sources, direct prolonged sunlight and chemical hazards.

**Professional installation is recommended.**

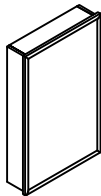


**PARTS LIST** (may differ depending on purchase)

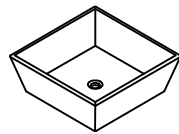
Cabinet



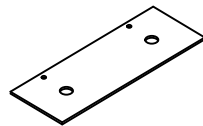
Mirror



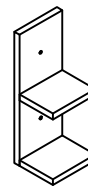
Basin



Top



Shelf



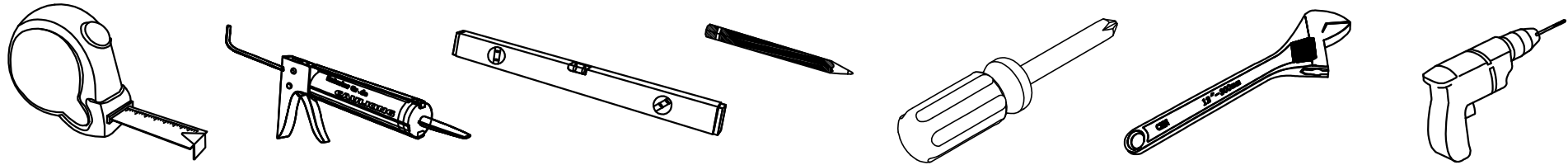
Anchor & Screw



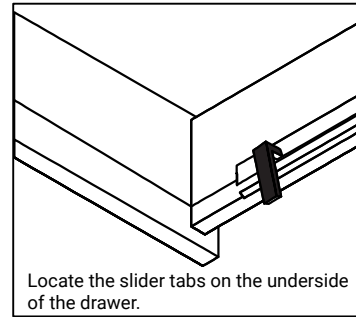
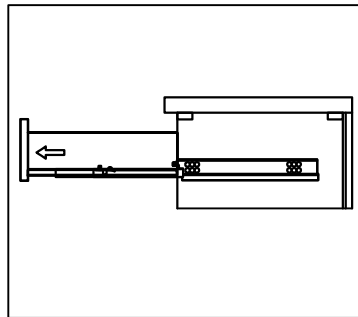
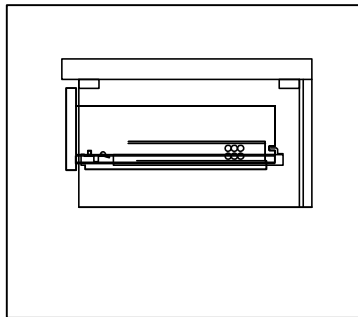
Bracket



### REQUIRED TOOLS



### DRAWER REMOVAL



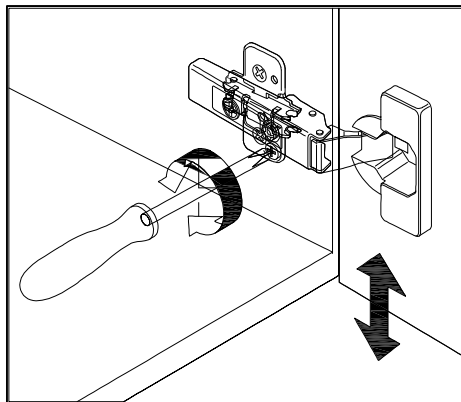
#### REMOVAL

1. Pull tabs toward center
2. Lift and pull drawer out

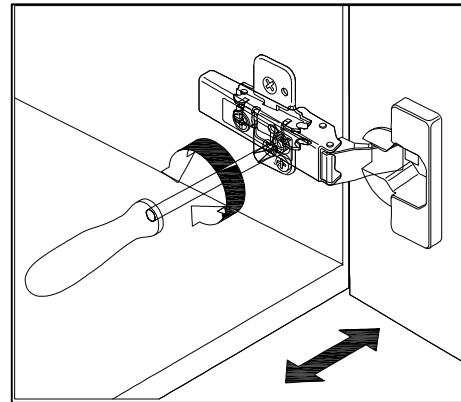
#### RE-INSTALL

1. Align drawer hole with slider stud
2. Push tabs back in to secure

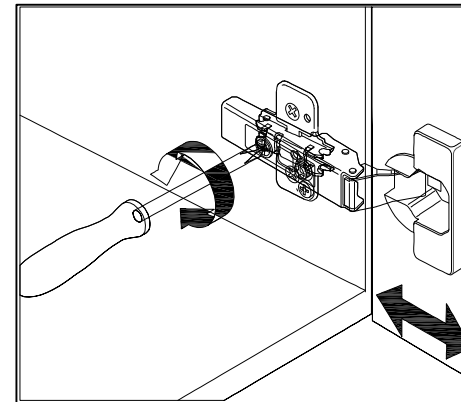
### DOOR ADJUSTMENT



Adjusts the door vertically



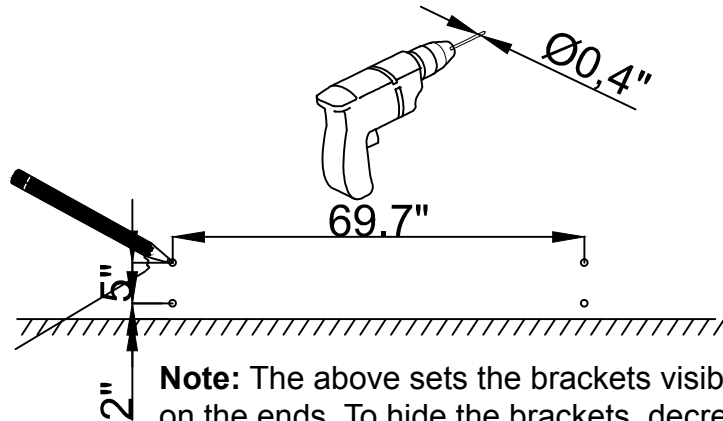
Adjusts the door horizontally



Adjusts the door forward and backwards

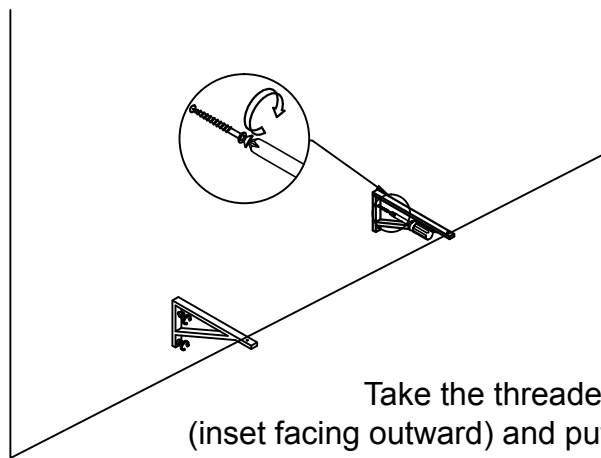
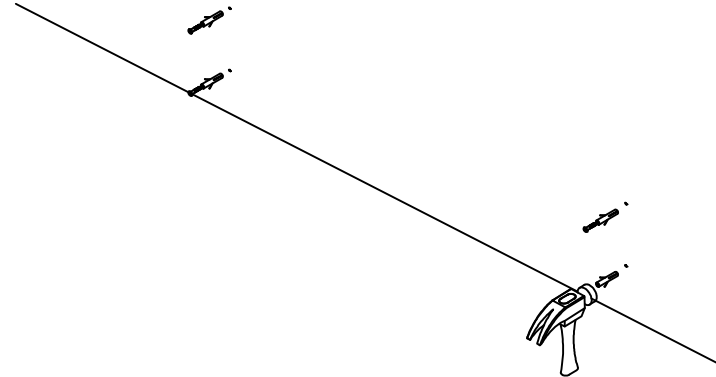
### Bracket Installation

Mark at distances shown below. Drill holes.

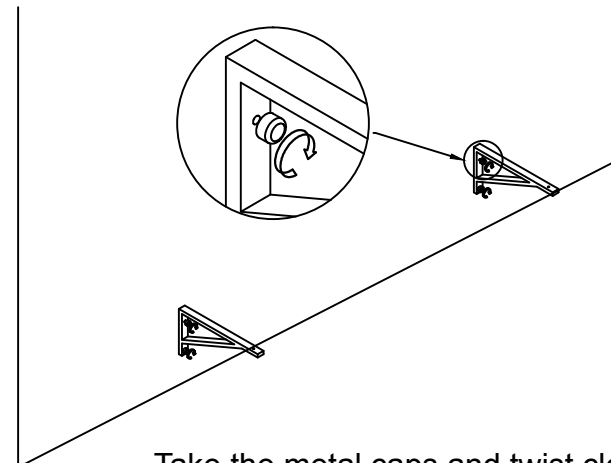


**Note:** The above sets the brackets visible on the ends. To hide the brackets, decrease the distance between the two brackets.

Install drywall anchors into holes.

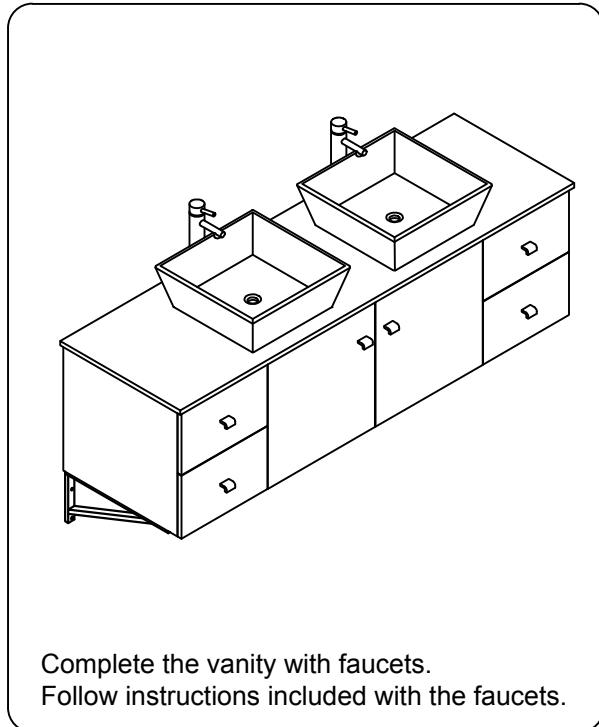
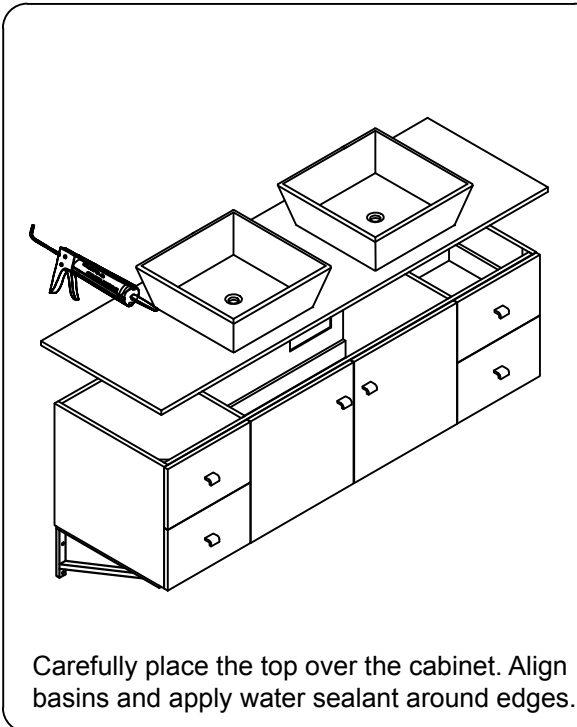
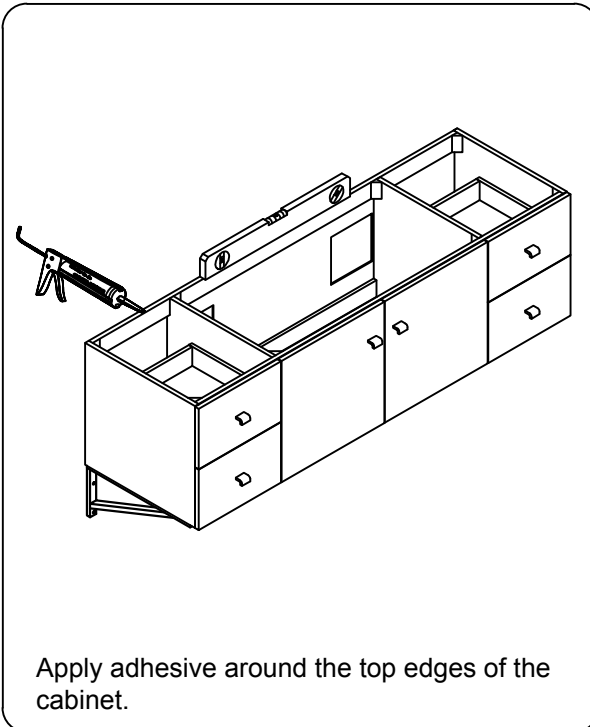
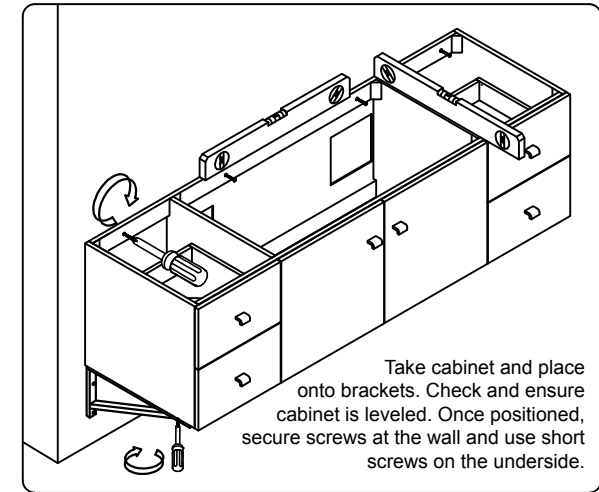
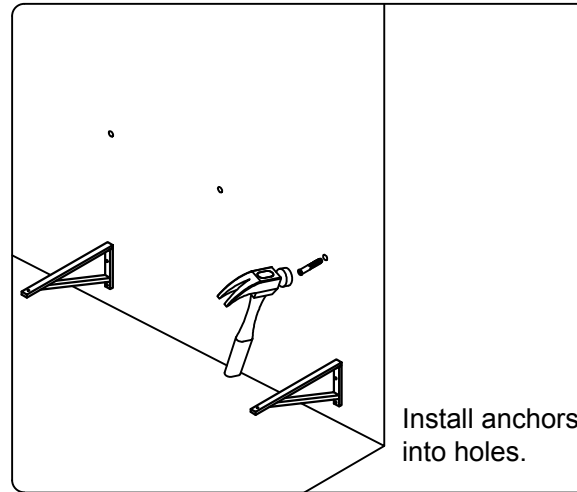
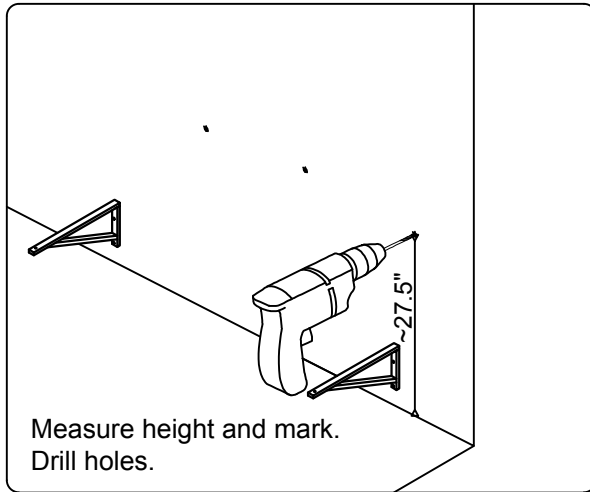


Take the threaded washer (inset facing outward) and put the long screw through. Install the screw into the wall. Repeat for the other bracket.



Take the metal caps and twist clockwise until secure.

### Cabinet Installation



Shelf Installation

