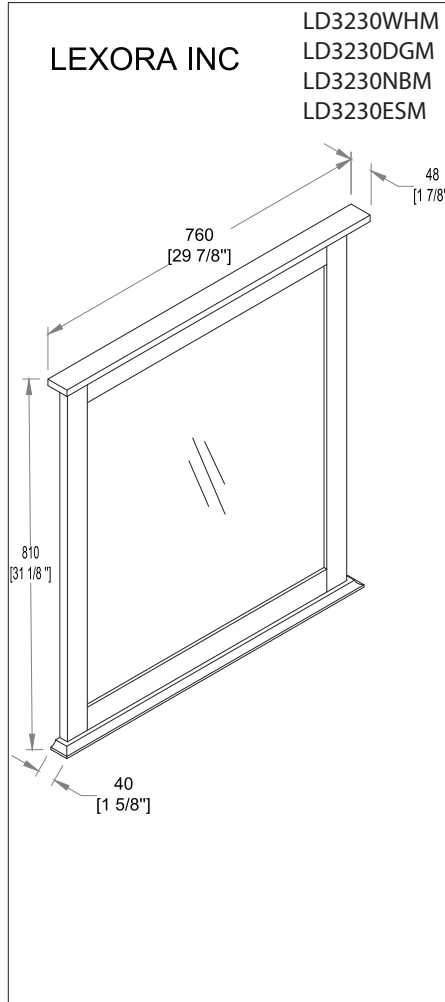


# Dukes 30"



HARDWARE			
No.	Draw		Qty
A		(Ø8*30)	2
B		(Ø4*50)	2

