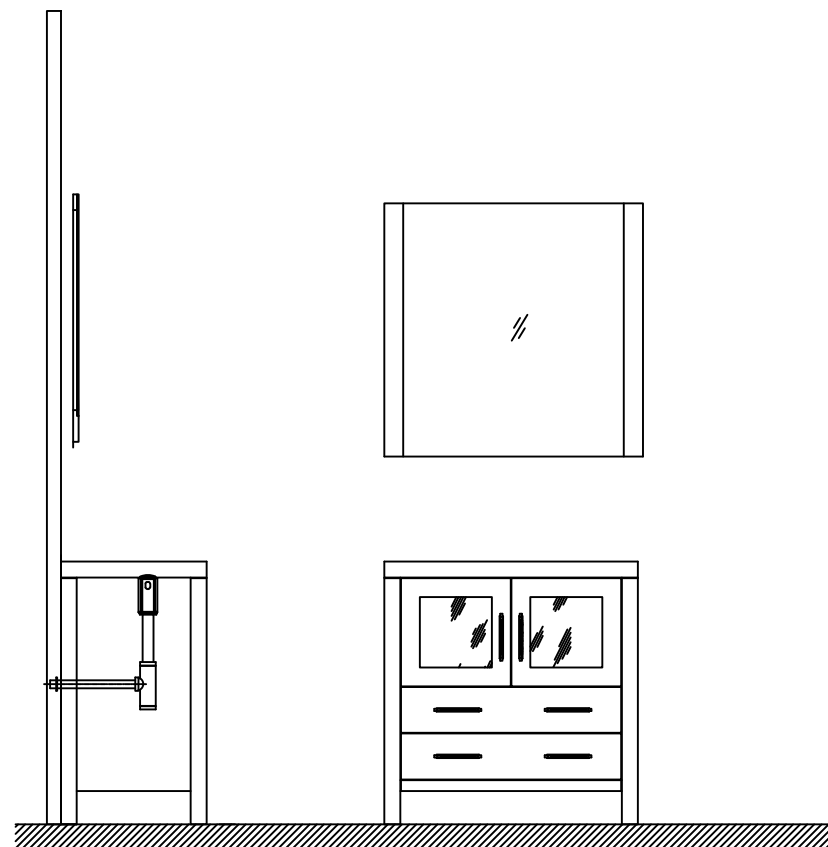


Prior to installation, please check the items you have received against the packing list. Report any missing items to your local dealer immediately.

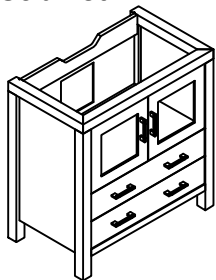
Protect all surfaces from sharp objects, high heat sources, direct prolonged sunlight and chemical hazards.

Professional installation is recommended.

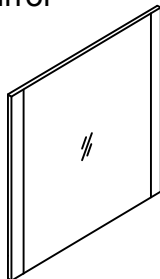


PARTS LIST (may differ depending on purchase)

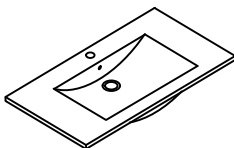
Cabinet



Mirror

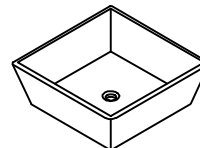


Basin Integrated

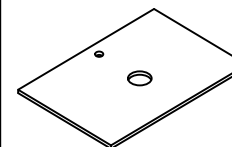


OR

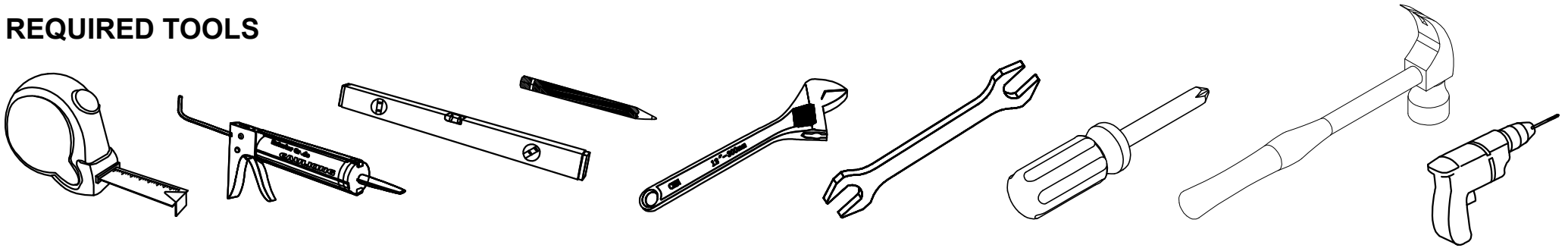
Basin Vessel



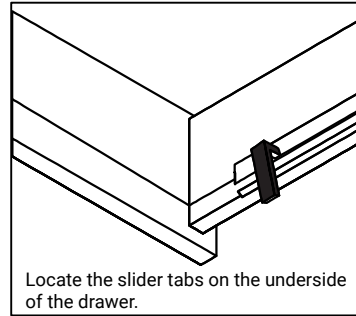
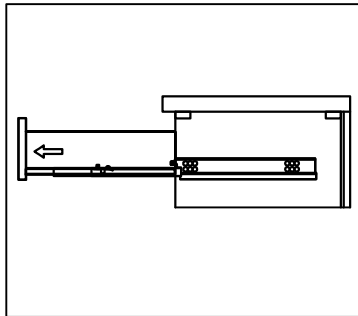
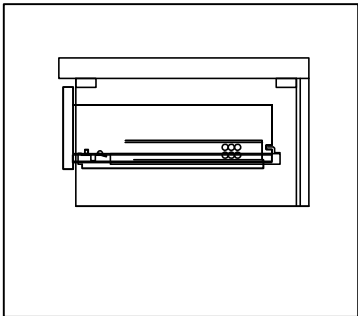
Top Vessel



REQUIRED TOOLS



DRAWER REMOVAL



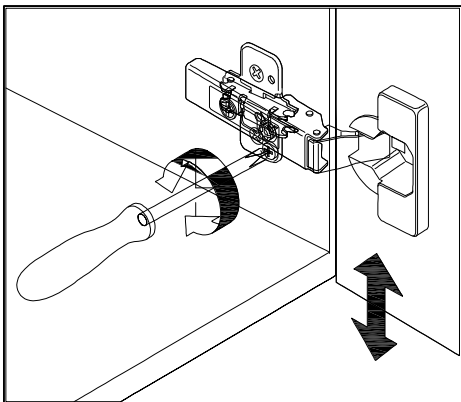
REMOVAL

1. Pull tabs toward center
2. Lift and pull drawer out

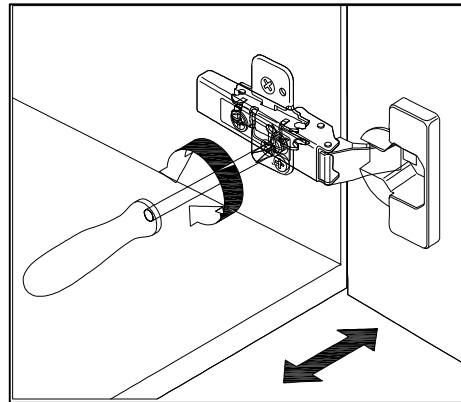
RE-INSTALL

1. Align drawer hole with slider stud
2. Push tabs back in to secure

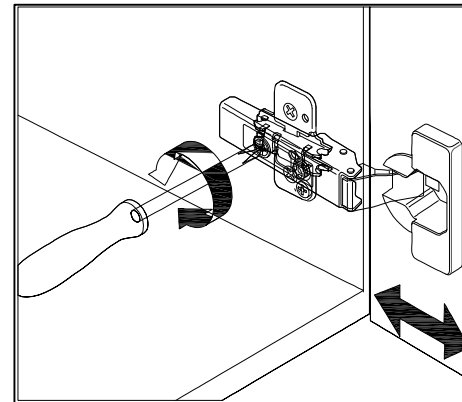
DOOR ADJUSTMENT



Adjusts the door vertically

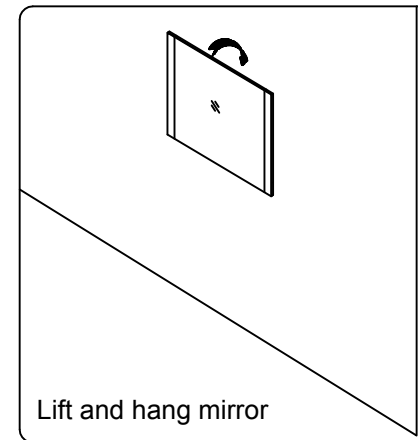
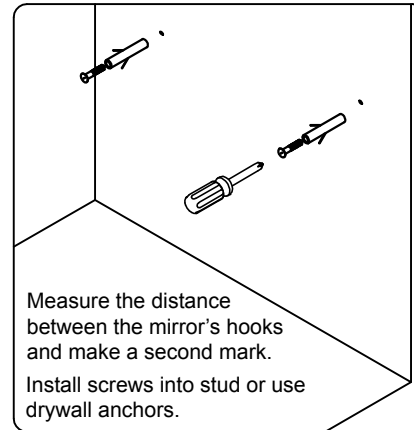
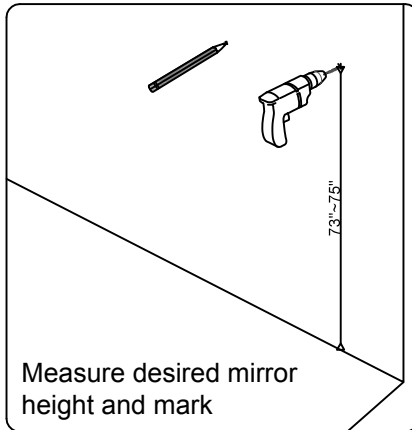


Adjusts the door horizontally

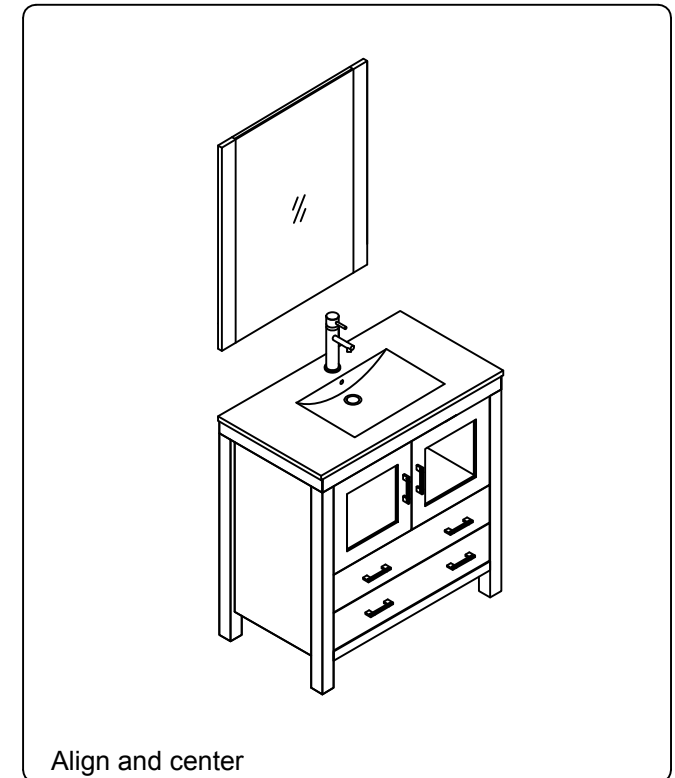
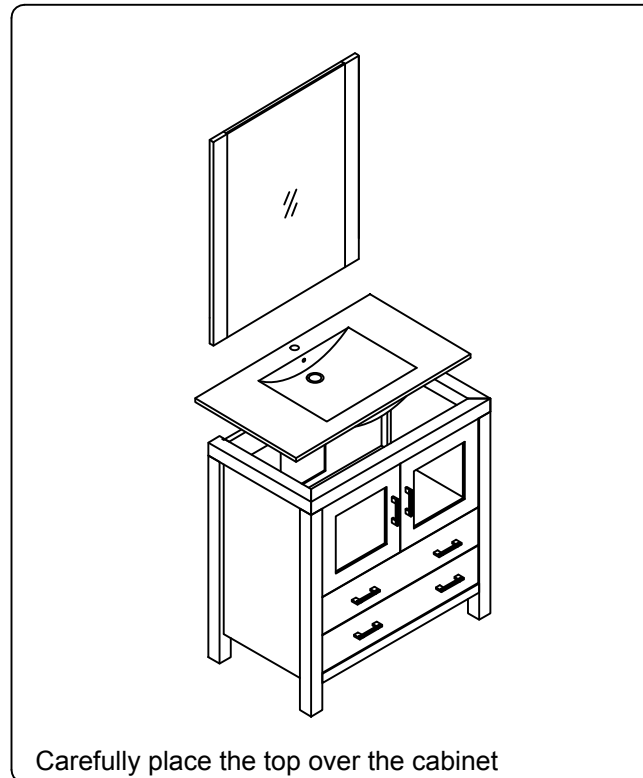
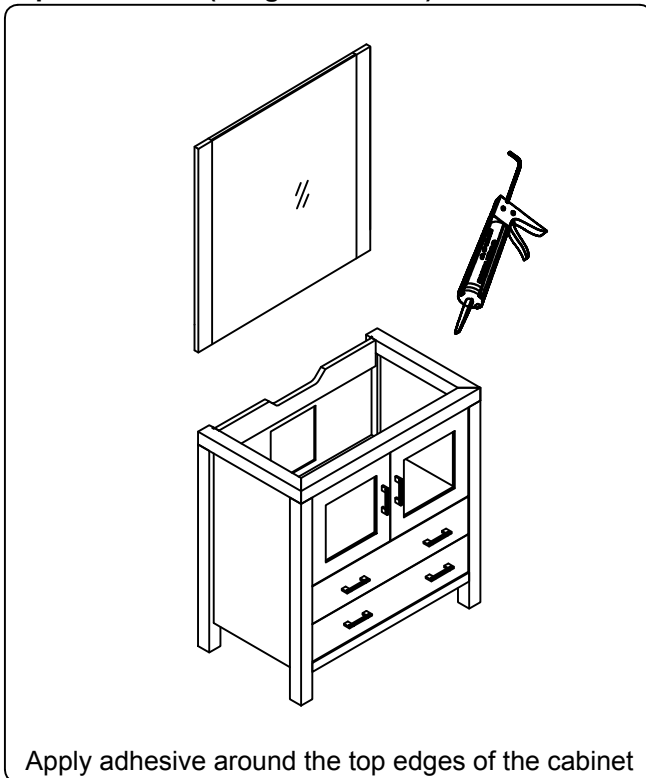


Adjusts the door forward and backwards

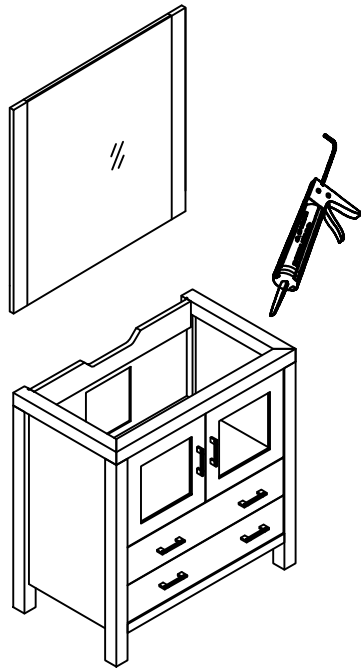
Mirror Installation



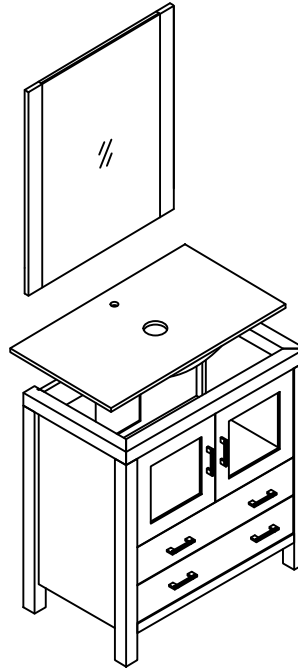
Top Installation (Integrated Basin)



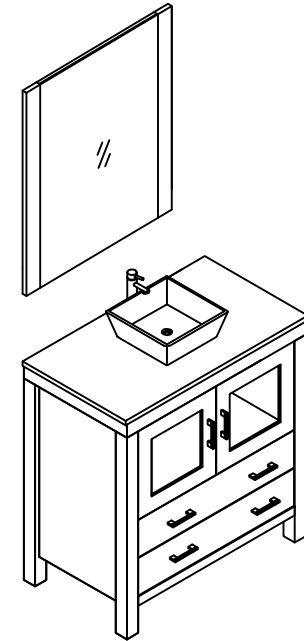
Top Installation (Vessel Basin)



Apply adhesive around the top edges of the cabinet



Carefully place the top over the cabinet



Align and center