



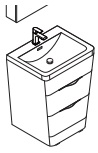
**FVN8525**

# MILANO

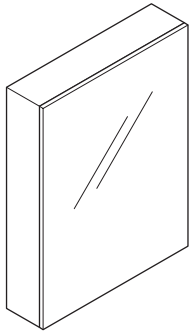
## INSTALLATION GUIDE

### CONTENTS:

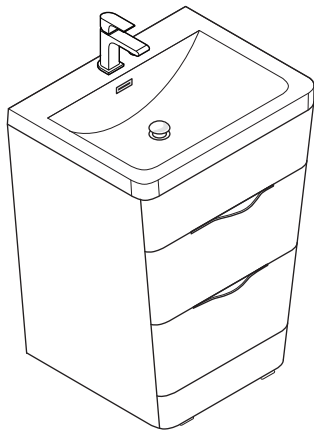
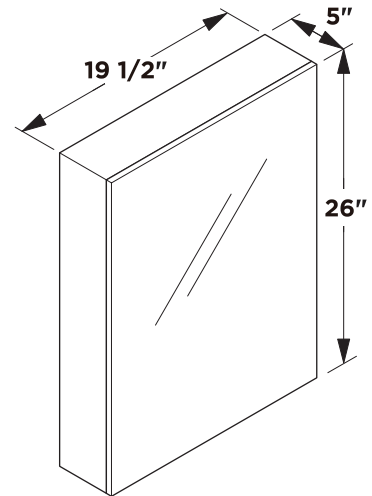
Cabinet..... (FCB8525).....	PAGE <b>3</b>
Sink..... (FVS8525).....	PAGE <b>3</b>
Med. Cabinet..... (FMC8058).....	PAGE <b>4</b>



# FVN8525 MILANO INSTALLATION GUIDE

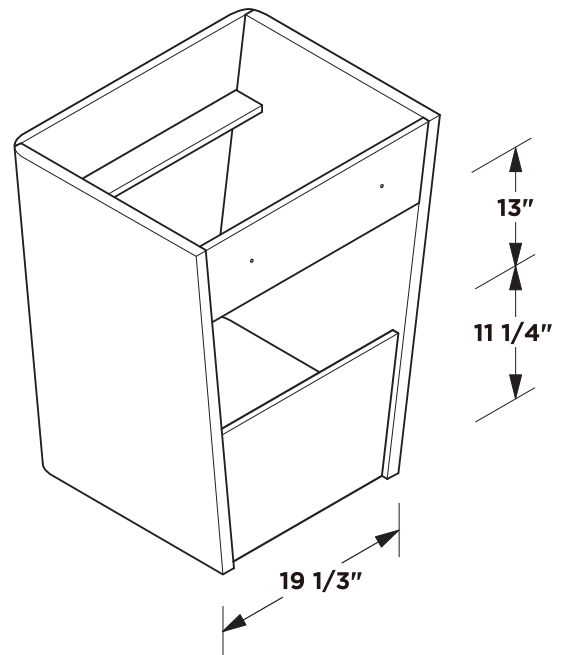
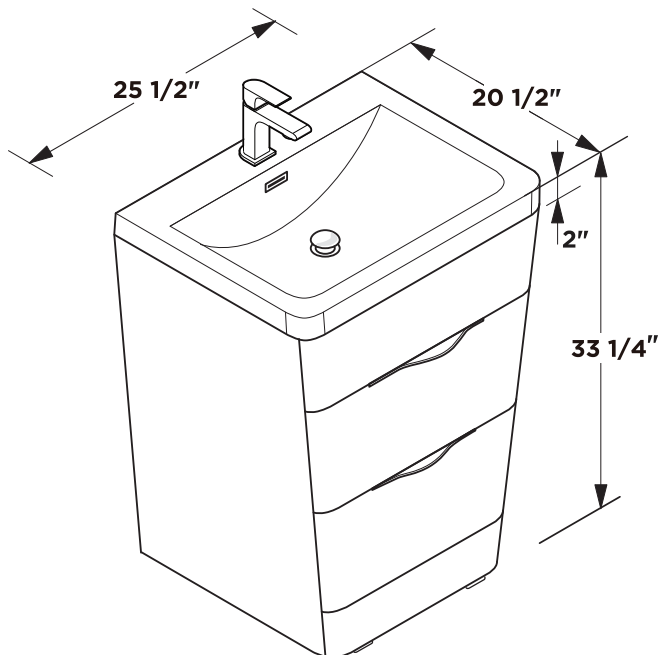


Medicine Cabinet



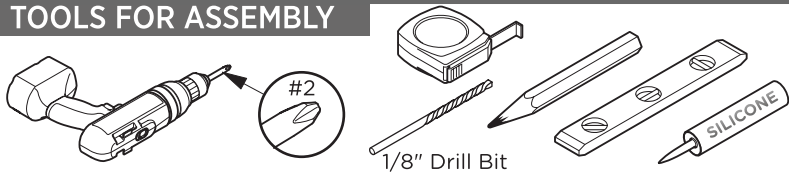
Vanity Front

Vanity Back

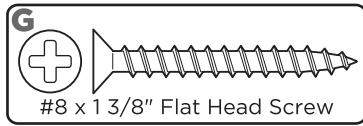


**NOTE:** ALL DIMENSIONS & SPECIFICATIONS ARE APPROXIMATE AND SUBJECT TO CHANGE WITHOUT NOTICE.

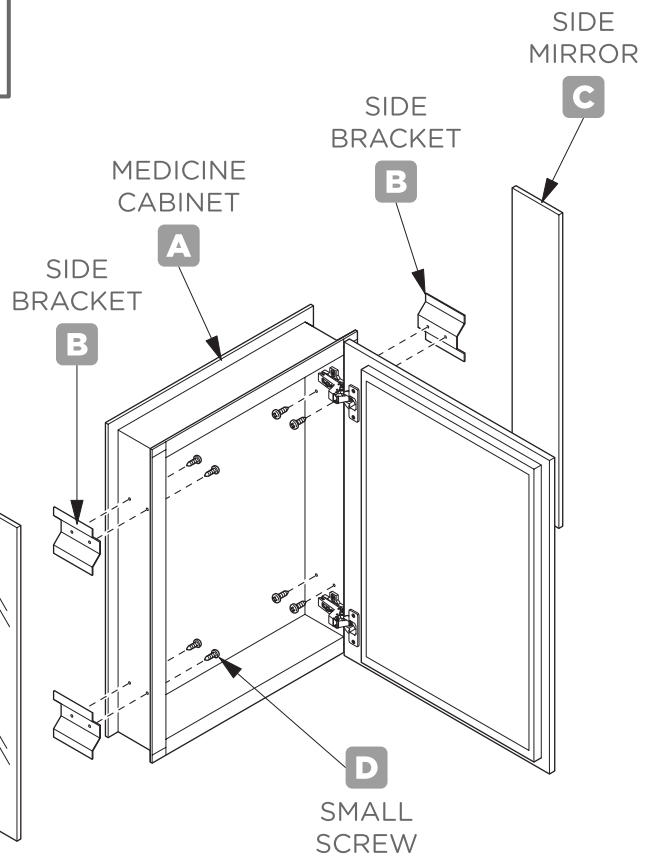
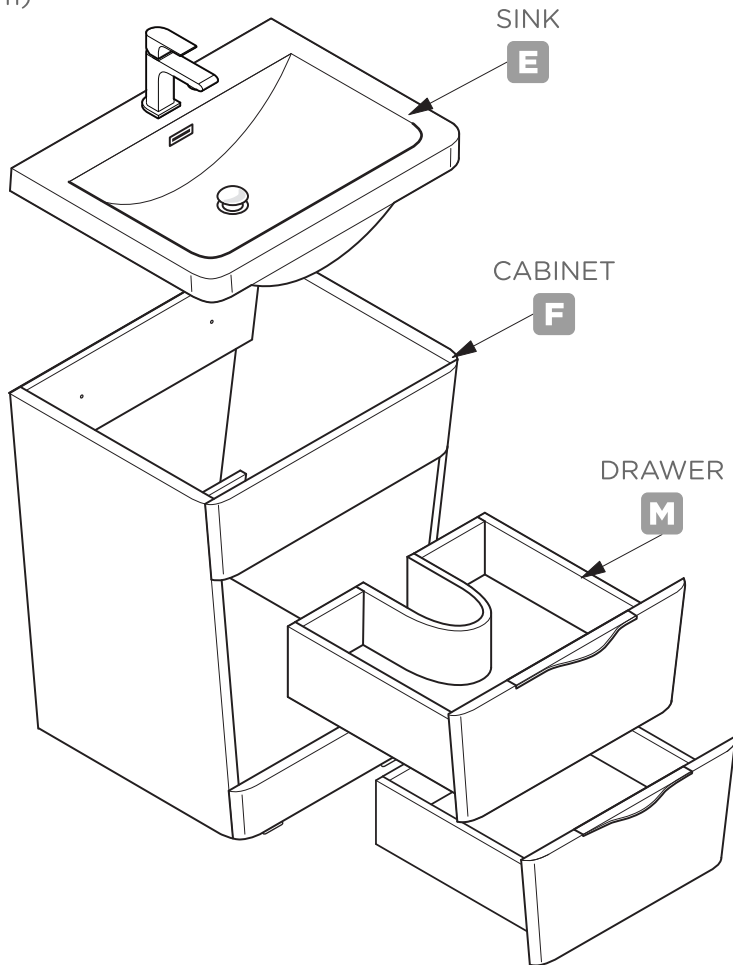
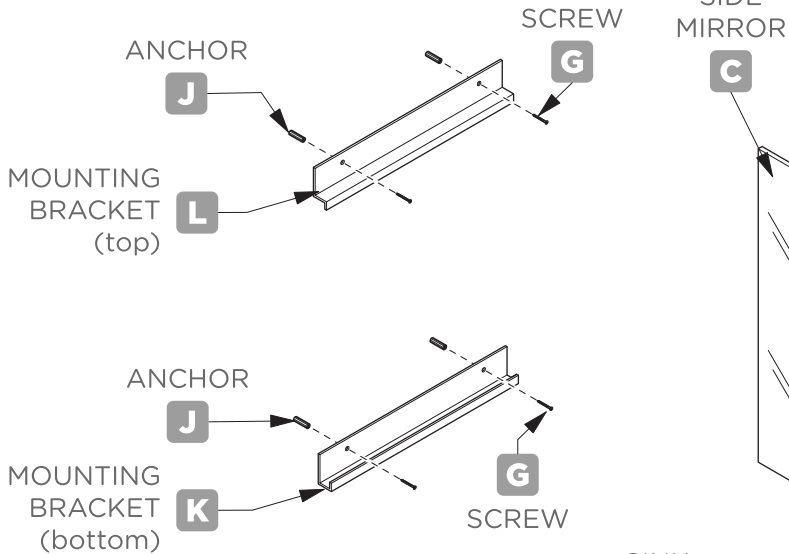
**TOOLS FOR ASSEMBLY**



**PARTS**



#8 x 1 3/8" Flat Head Screw

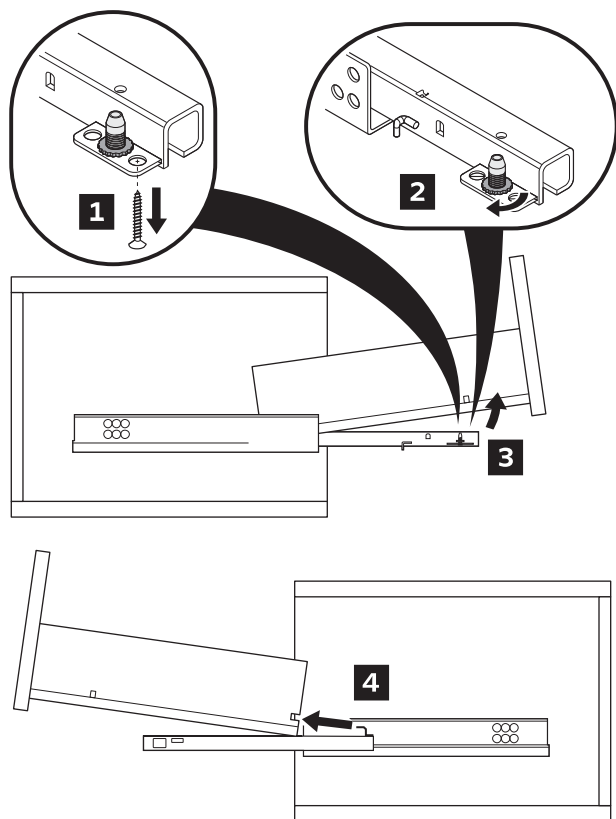


**PARTS**

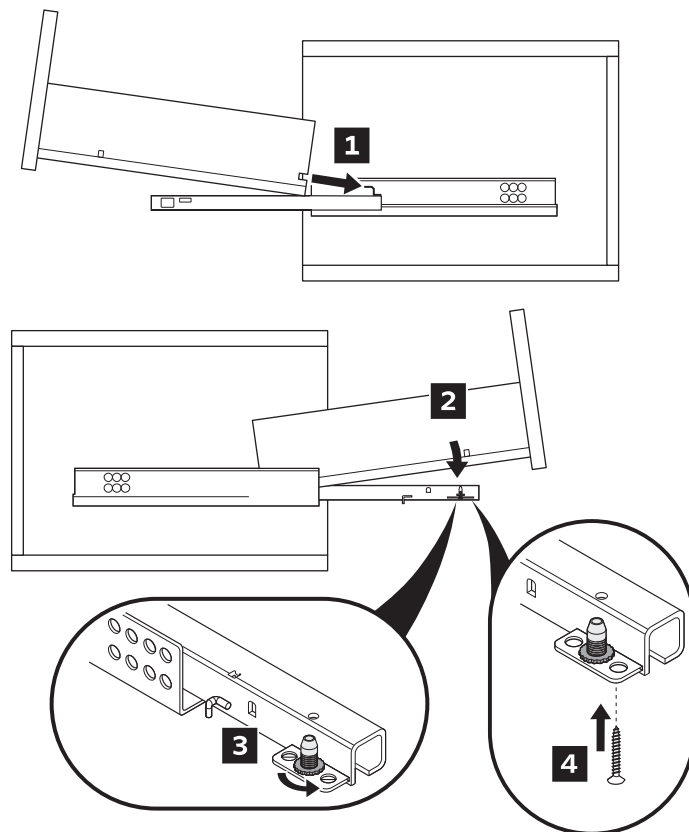
- A.** MEDICINE CABINET
- B.** SIDE BRACKET
- C.** SIDE MIRROR
- D.** SMALL SCREW
- E.** SINK
- F.** CABINET
- G.** SCREW
- J.** ANCHOR
- K.** BOTTOM BRACKET
- L.** TOP BRACKET
- M.** DRAWER

# DRAWER REMOVAL & INSTALLATION

## REMOVAL



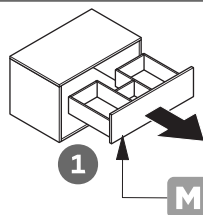
## INSTALLATION



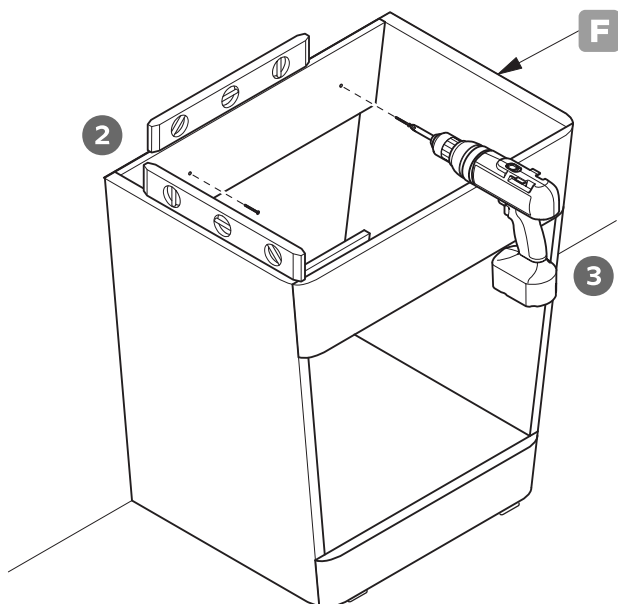
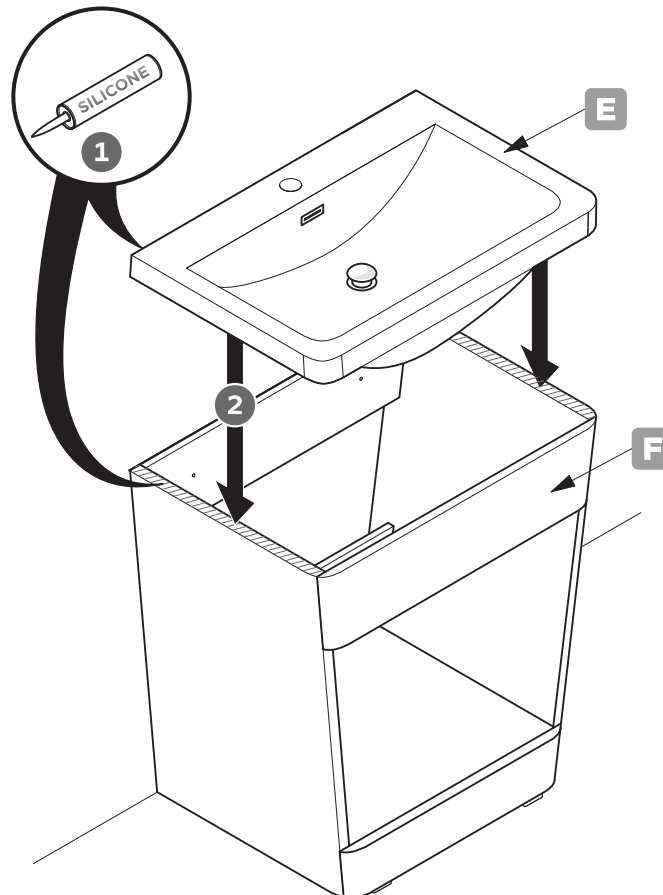
**1** Remove drawers (M).

**2** Place cabinet (F) to designated location using a level.

**3** Connect cabinet (F) to the wall with screws using a drill.



**4** Apply silicone and place sink (E) on the cabinet (F).

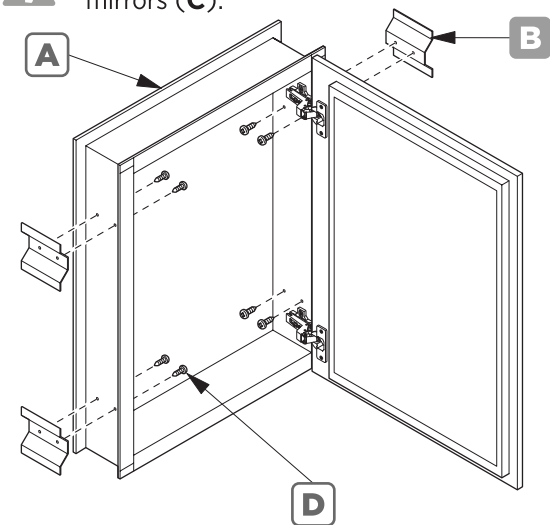


**NOTE:** Consult an expert for the proper screws/bolts to use when attaching to various constructions. Screws provided do not attach to all wall construction types.

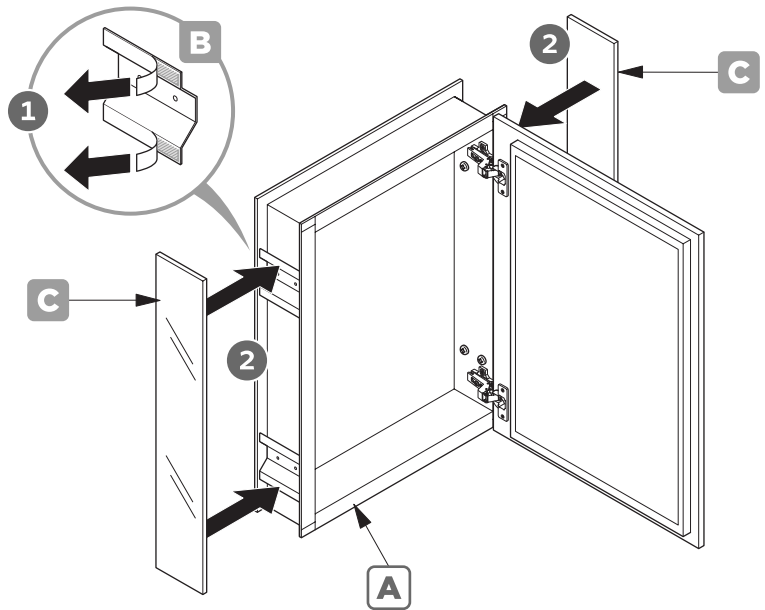
# MEDICINE CABINET INSTALLATION

**1** Attach the brackets (B) to the cabinet using a small screws (D).

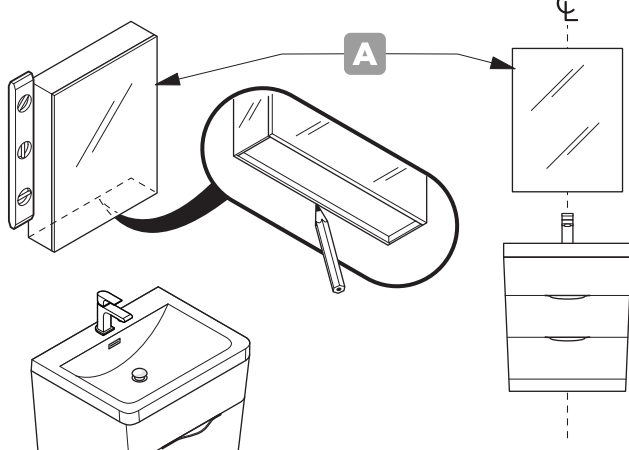
**NOTE:** Skip STEP 1 and STEP 2.1 if brackets (B) are already attached to the side mirrors (C).



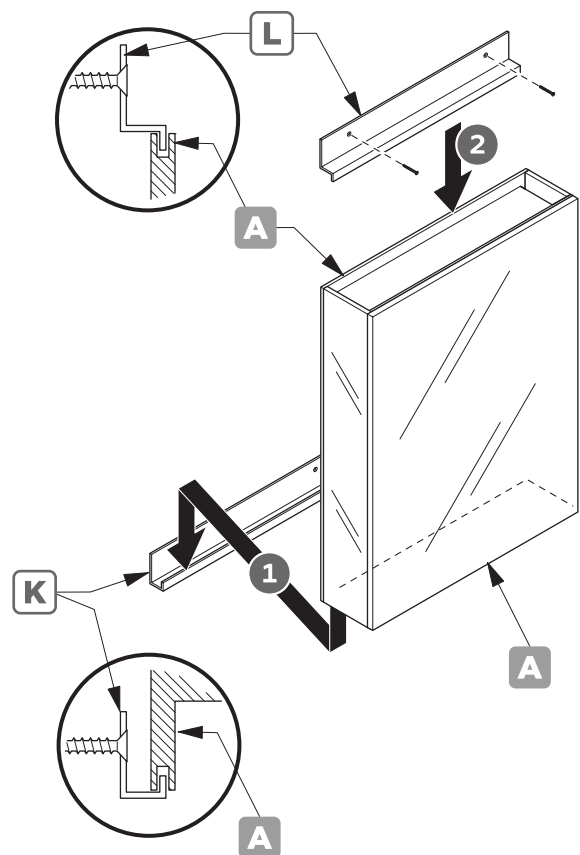
**2** Peel the tape from the brackets, exposing a sticky surface, then connect side mirrors (C) to the brackets (B).



**3** Place cabinet (A) to designated location, then mark its location on the wall.

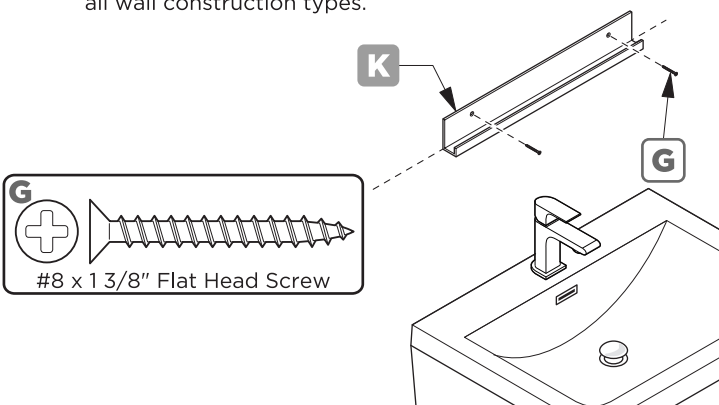


**5** With assistance, rest the cabinet on the bottom mounting bracket (K) and secure it by attaching a top bracket (L) to the wall.



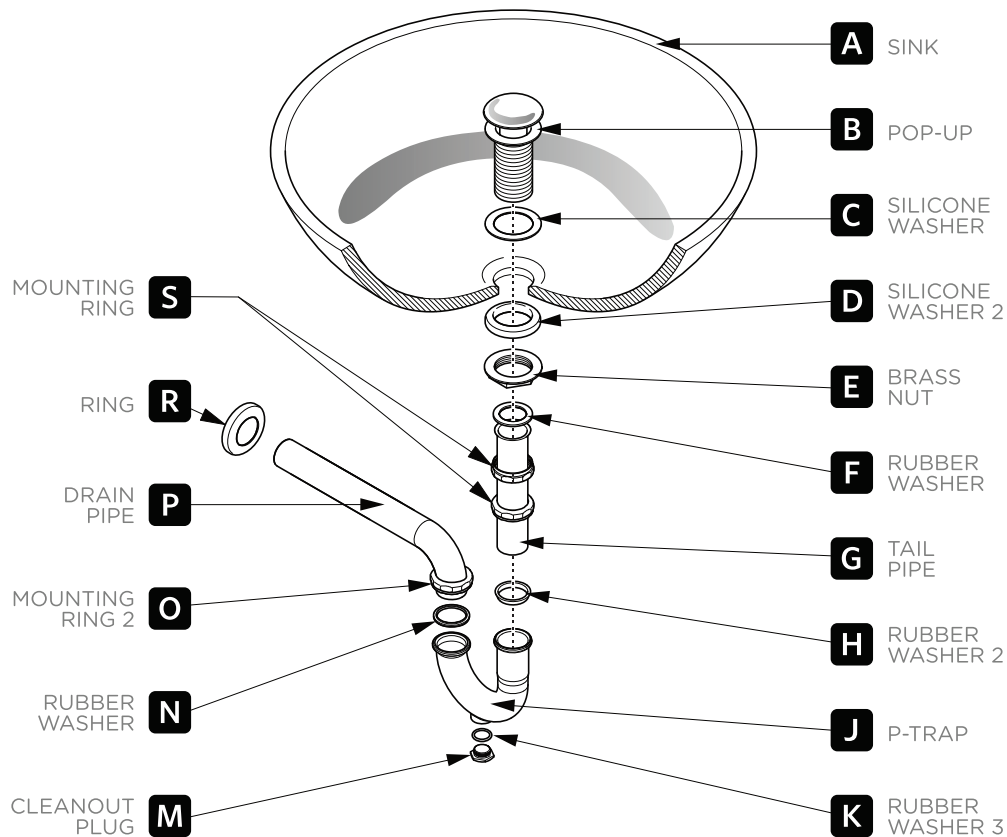
**4** Attach bottom bracket (K) to the wall.

**NOTE:** Consult an expert for the proper screws/bolts to use when attaching to various constructions. Screws provided do not attach to all wall construction types.



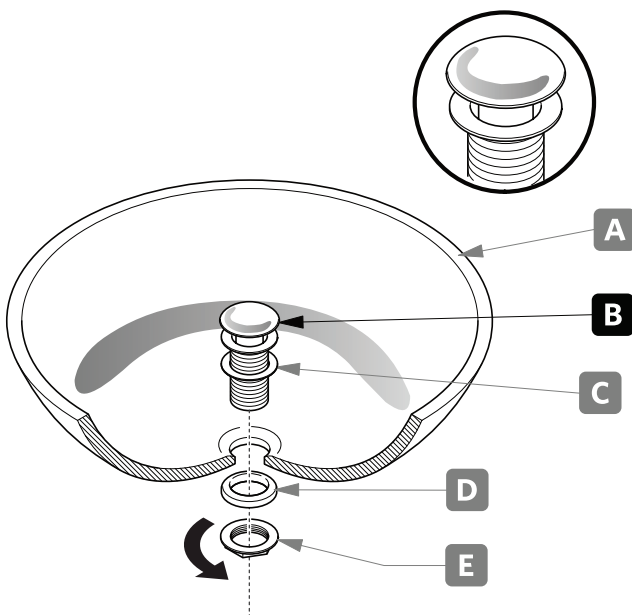
# P-TRAP & POP-UP INSTALLATION INSTRUCTIONS

Your item may appear slightly different from the illustration.



## POP-UP INSTALLATION

**FOR SINKS  
WITHOUT OVERFLOW**



OR

**FOR SINKS  
WITH OVERFLOW**

