



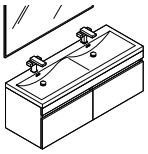
# FVN8040

# LARGO

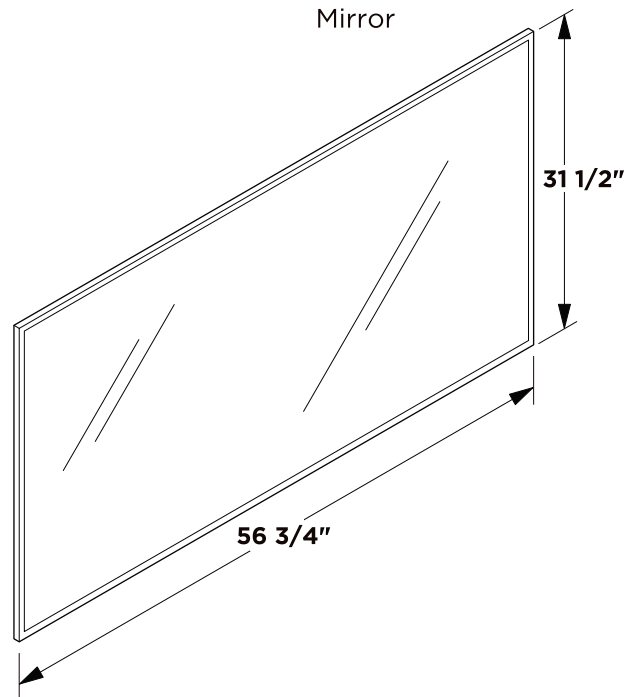
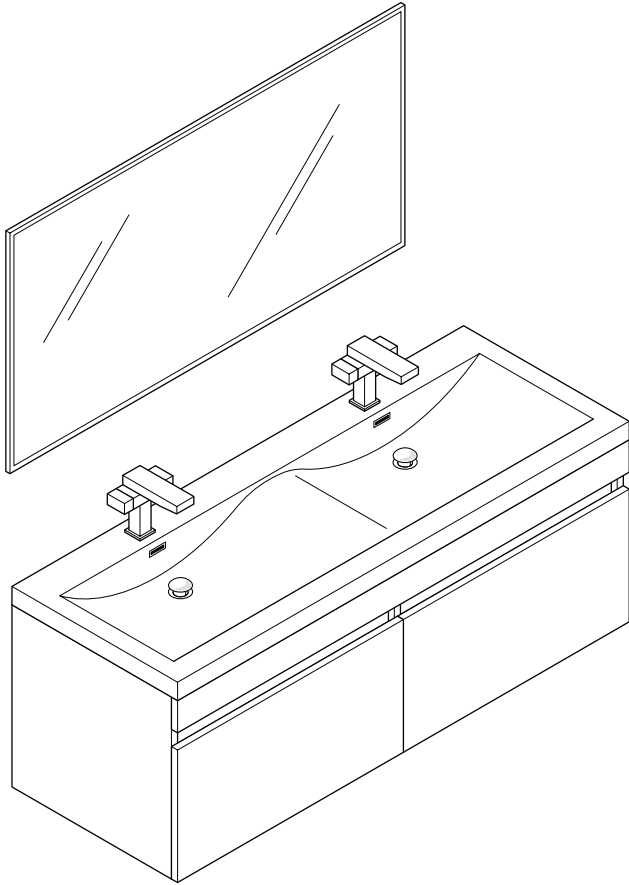
## INSTALLATION GUIDE

### CONTENTS:

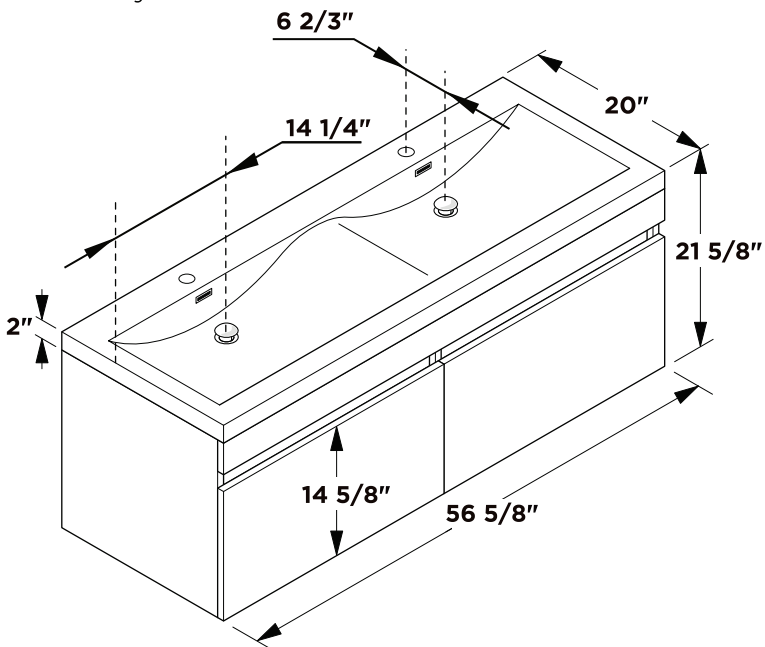
Cabinet.....(FCB8040).....	PAGE <b>3</b>
Sink.....(FVS8040).....	PAGE <b>4</b>
Mirror.....(FMR8040).....	PAGE <b>4</b>



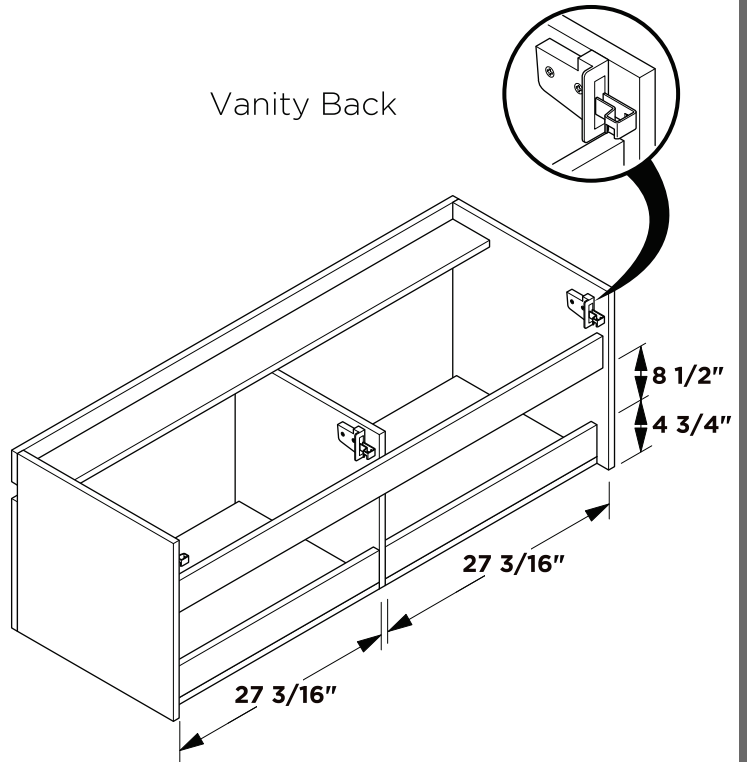
**FVN8040**  
**LARGO**  
**INSTALLATION GUIDE**



Vanity Front

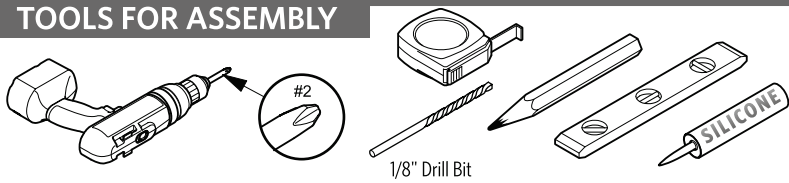


Vanity Back



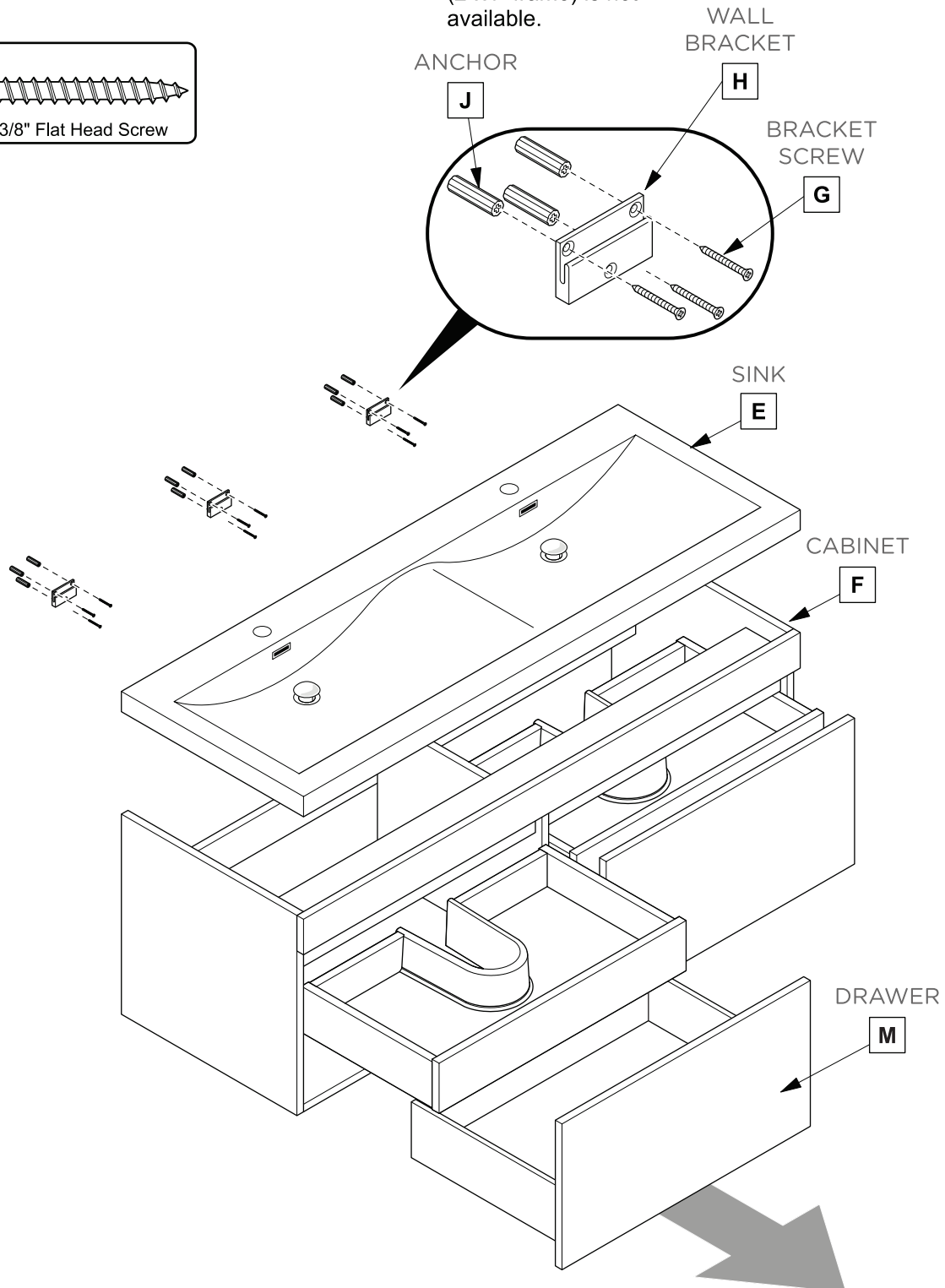
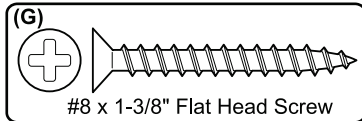
**NOTE:** ALL DIMENSIONS & SPECIFICATIONS ARE APPROXIMATE AND SUBJECT TO CHANGE WITHOUT NOTICE.

## TOOLS FOR ASSEMBLY



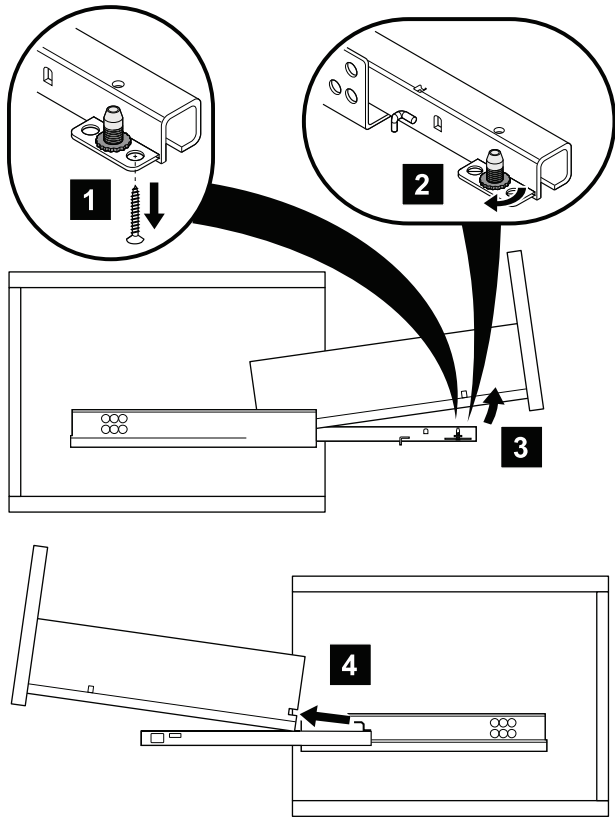
## PARTS

**NOTE:** Only use anchors (**J**) if stud (2"x4" frame) is not available.

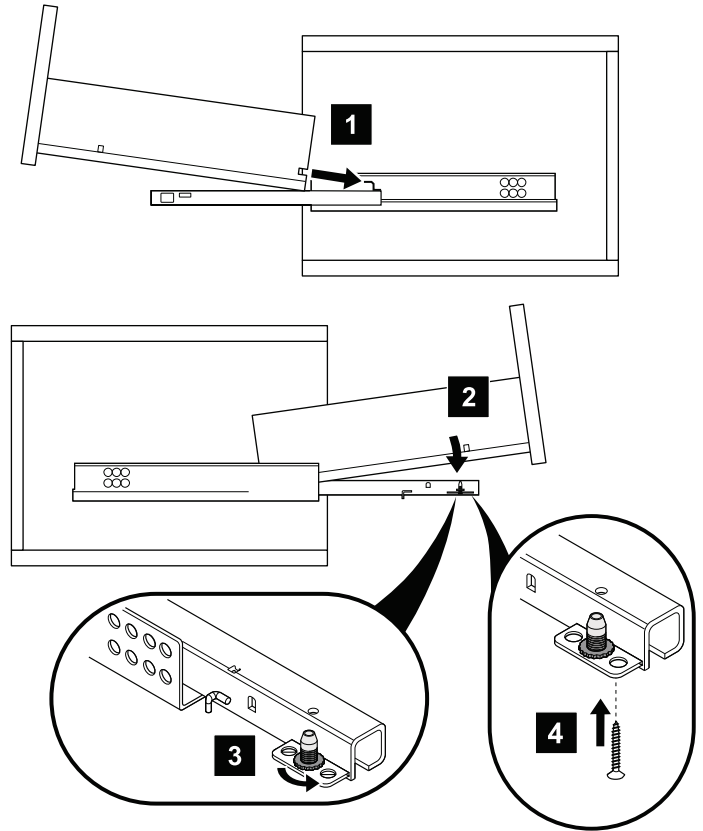


# DRAWER REMOVAL & INSTALLATION

## REMOVAL

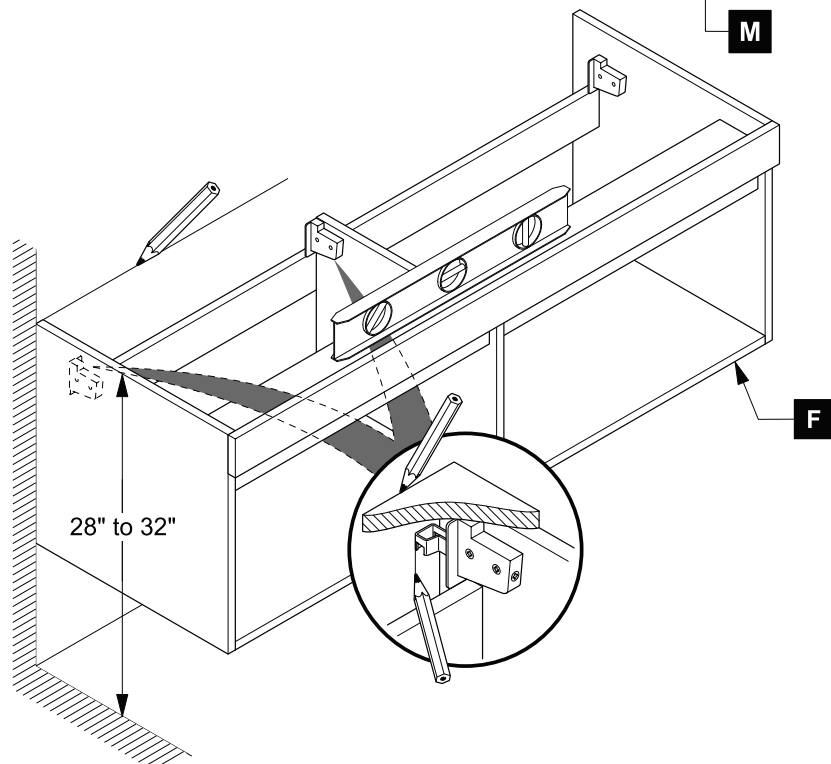
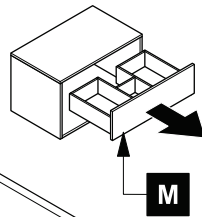


## INSTALLATION



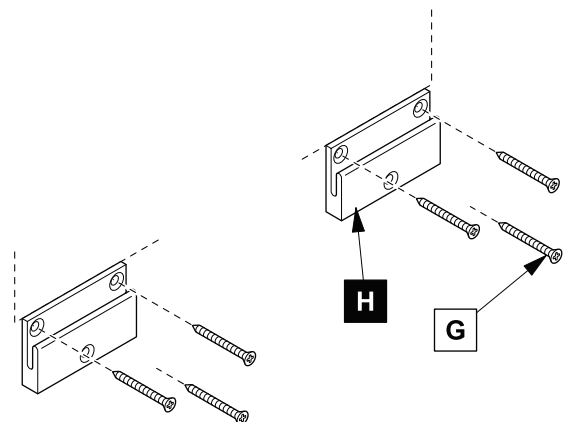
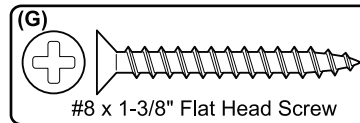
**1** Remove drawer (M)

**2** Locate cabinet (F) & mark location



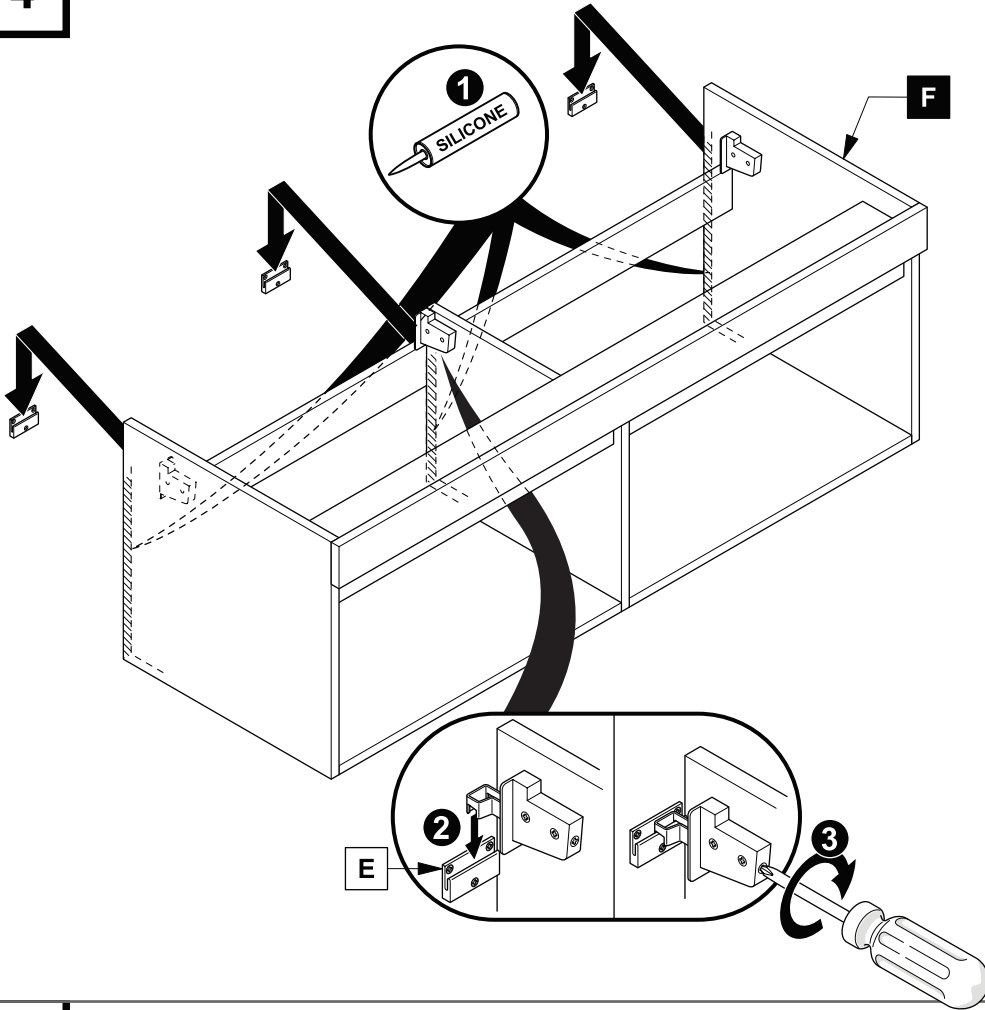
**3** Install wall brackets (H)

**NOTE:** Consult an expert for the proper screws/bolts to use when attaching to various constructions. Screws provided do not attach to all wall construction types.



4

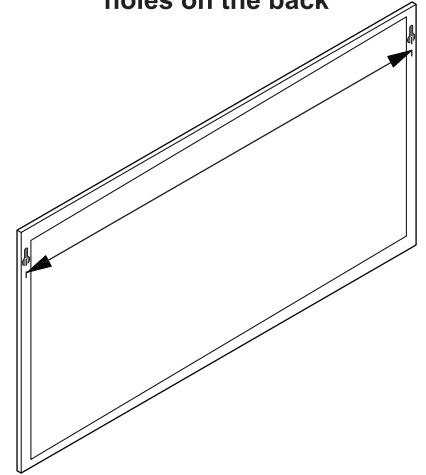
Apply silicone and install cabinet (F)



## MIRROR INSTALLATION

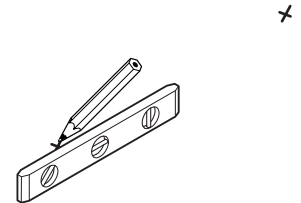
1

Measure the distance between the mounting holes on the back



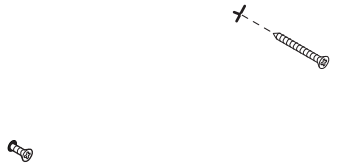
2

Mark the hole position on the wall using level



3

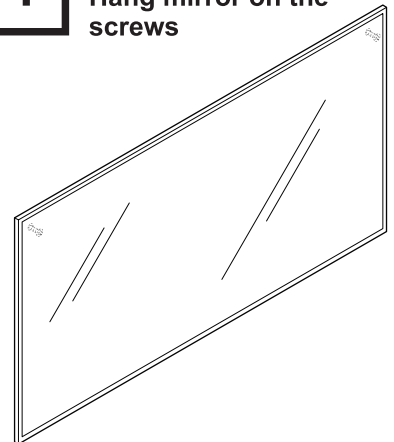
Insert the screws in the marked spots with a drill



**NOTE:** Consult an expert for the proper screws/bolts to use when attaching to various constructions. Screws provided do not attach to all wall construction types.

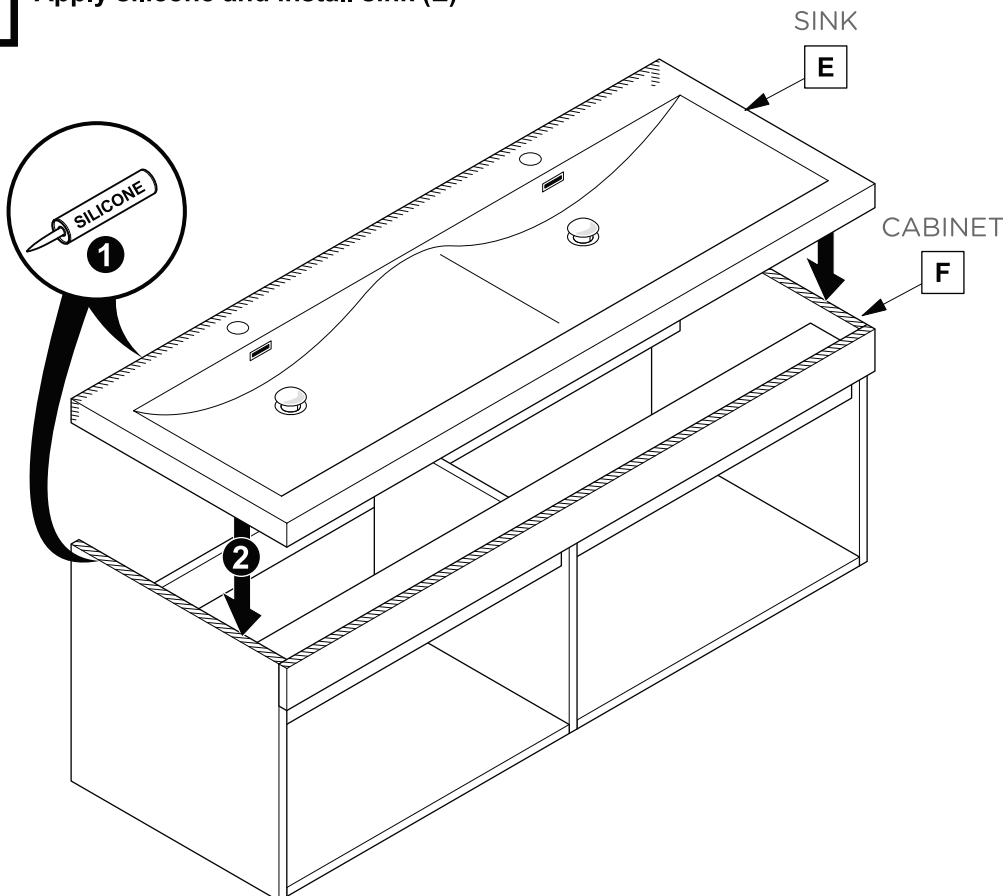
4

Hang mirror on the screws



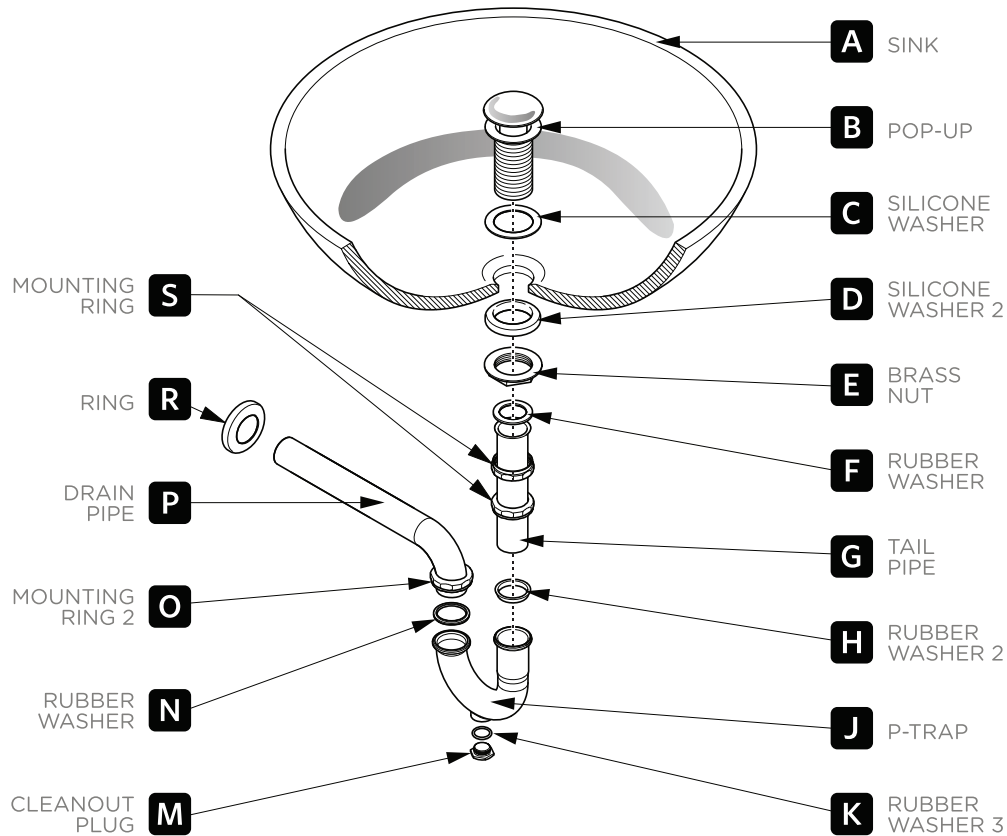
5

Apply silicone and install sink (E)



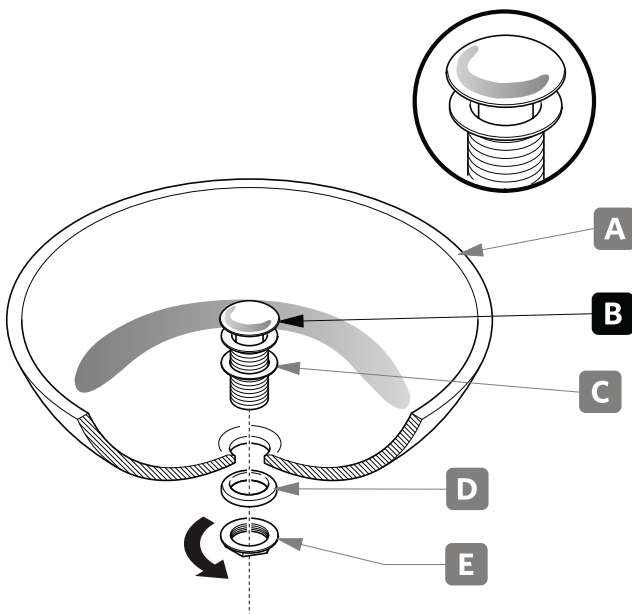
# P-TRAP & POP-UP INSTALLATION INSTRUCTIONS

Your item may appear slightly different from the illustration.



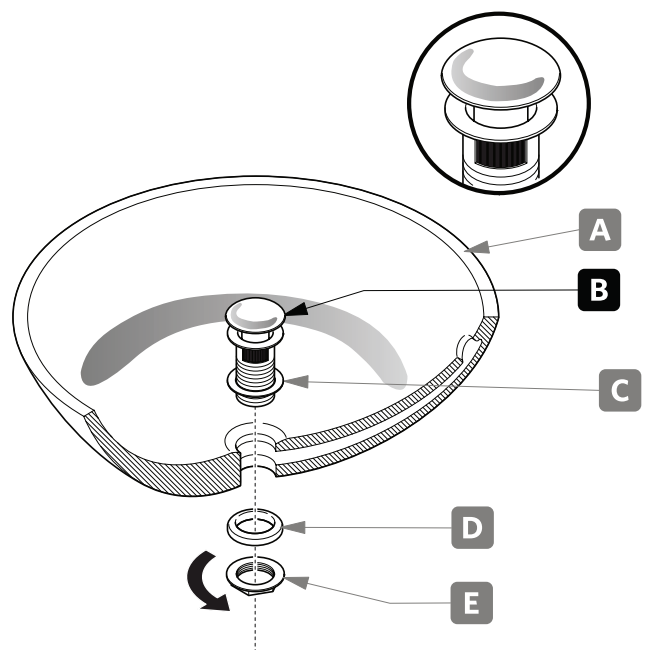
## POP-UP INSTALLATION

**FOR SINKS  
WITHOUT OVERFLOW**



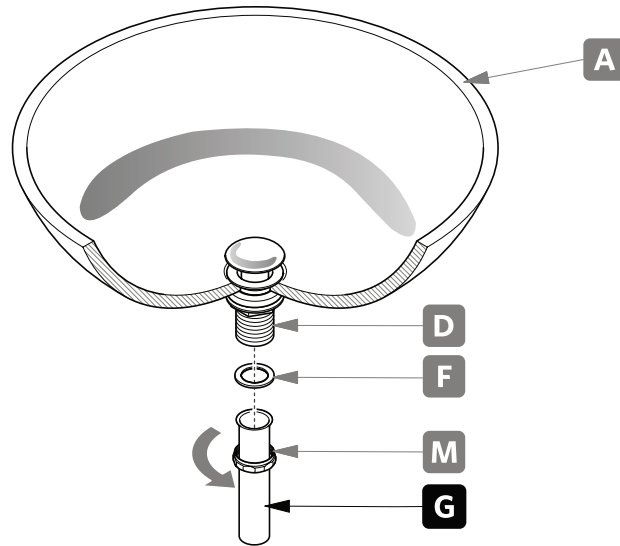
OR

**FOR SINKS  
WITH OVERFLOW**



# P-TRAP INSTALLATION

**1.** Install tail pipe (G).



**2.** Install P-trap (J).

