



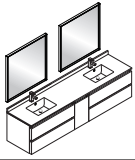
# FORMOSA

## **INSTALLATION GUIDE**

FVN31-361236ACA

## CONTENTS:

Mirror.....	FMR3132ACA.....	PAGE 2
Cabinet.....	FCB3136ACA.....	PAGE 3
Sink.....	FCT2084WH-D-CMB.....	PAGE 3

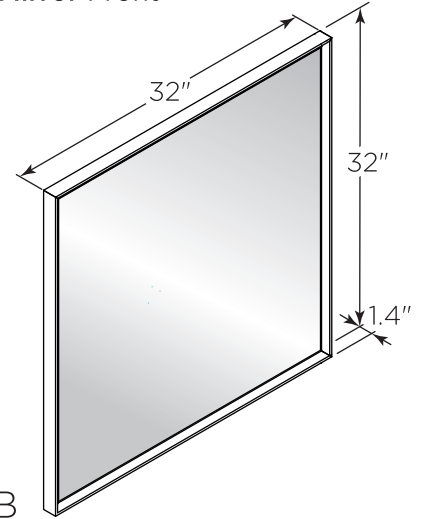
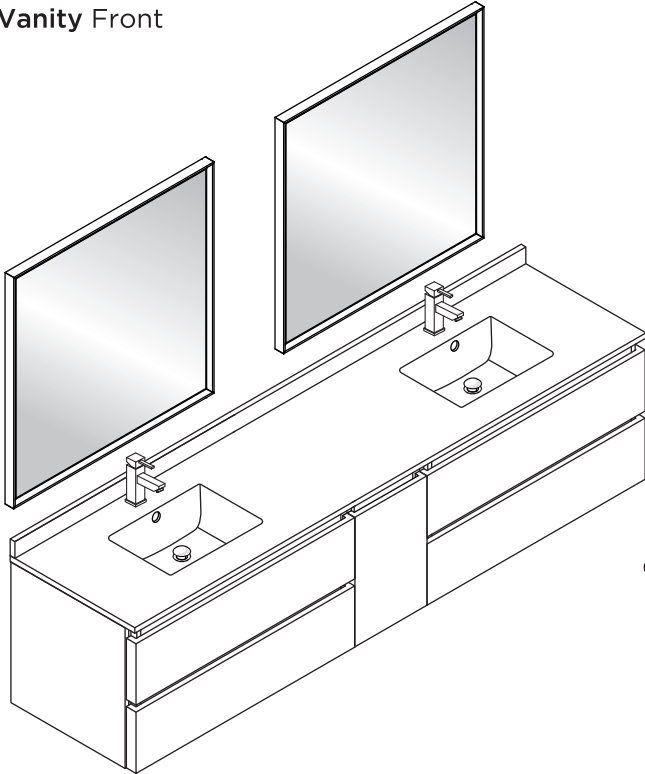


# FVN31-361236ACA FORMOSA INSTALLATION GUIDE

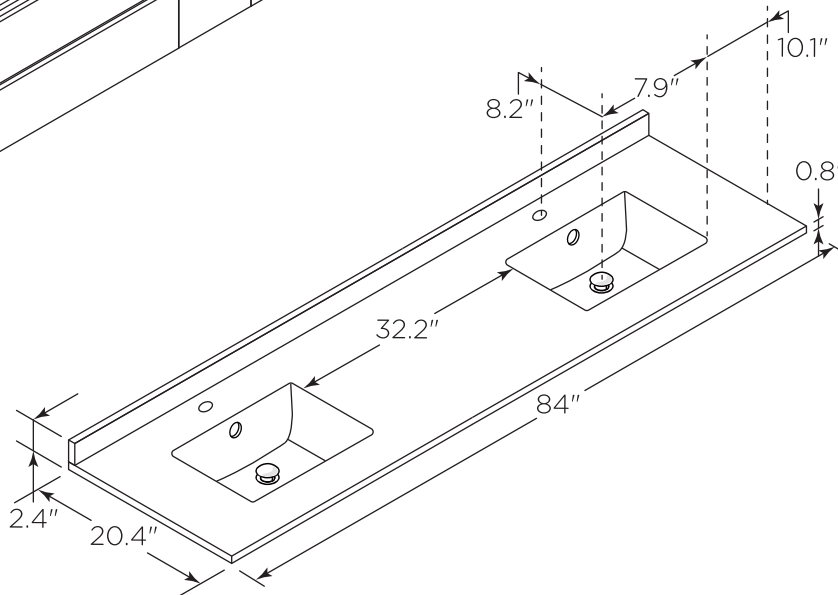


FVN31-361236ACA  
Vanity Front

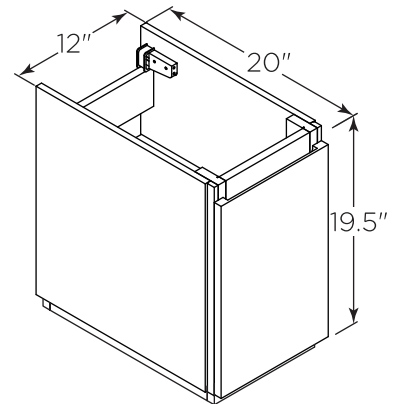
FMR3132ACA (X2)  
Mirror Front



FCT2084WH-D-CMB  
Counter Top Front



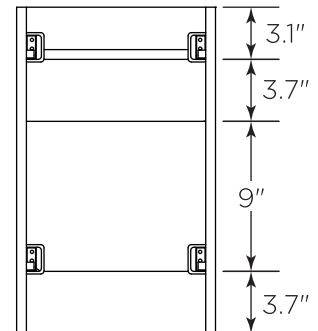
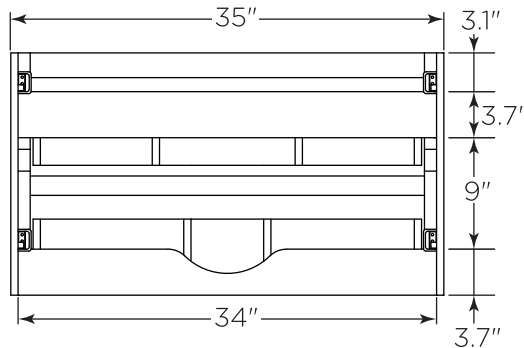
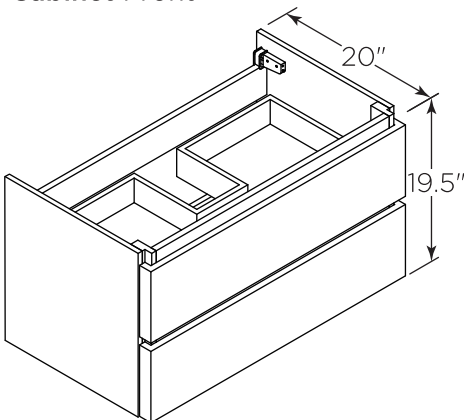
FST3112ACA  
Cabinet Front



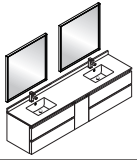
FCB3136ACA (X2)  
Cabinet Front

FCB3136ACA  
Cabinet Back

FST3112ACA  
Cabinet Back



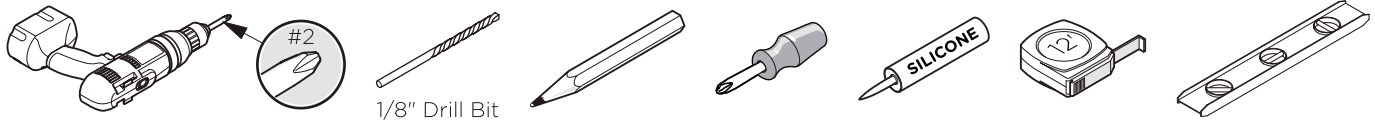
**NOTE:** All dimensions & specifications are approximate and subject to change without notice.



# FVN31-361236ACA FORMOSA INSTALLATION GUIDE

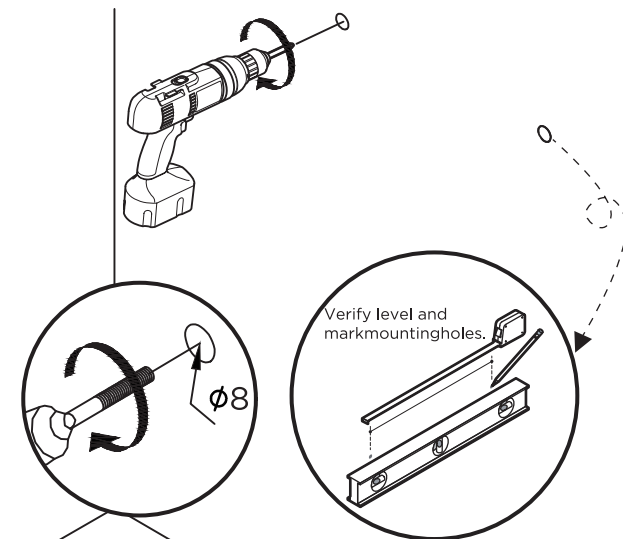


## TOOLS FOR ASSEMBLY

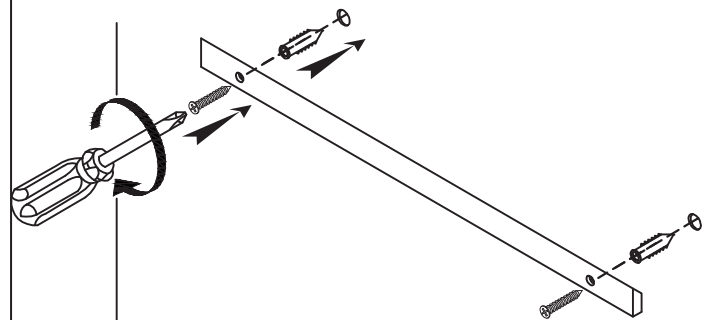


## MIRROR INSTALLATION

- 1** Measure distance between the holes and mark it on the wall using a level.

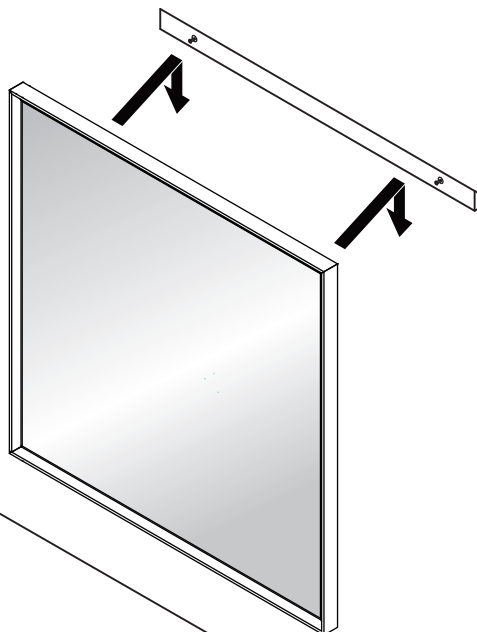


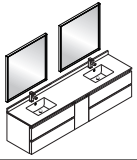
- 2** Press the anchors into the holes.



**IMPORTANT:** Consult an expert for the proper screws/bolts to use when attaching to various constructions. Screws provided do not attach to all wall construction types. Anchors are not required if brackets are installed in stud.

- 3** Hang mirror on the screws.

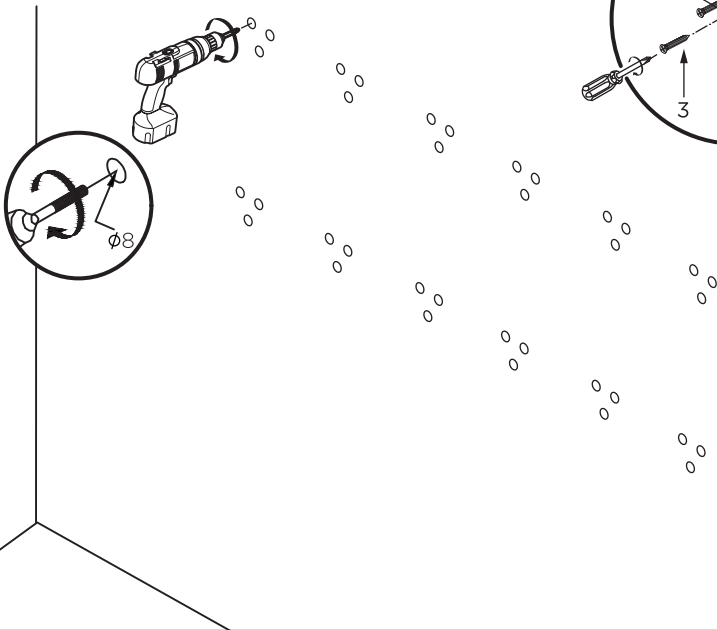




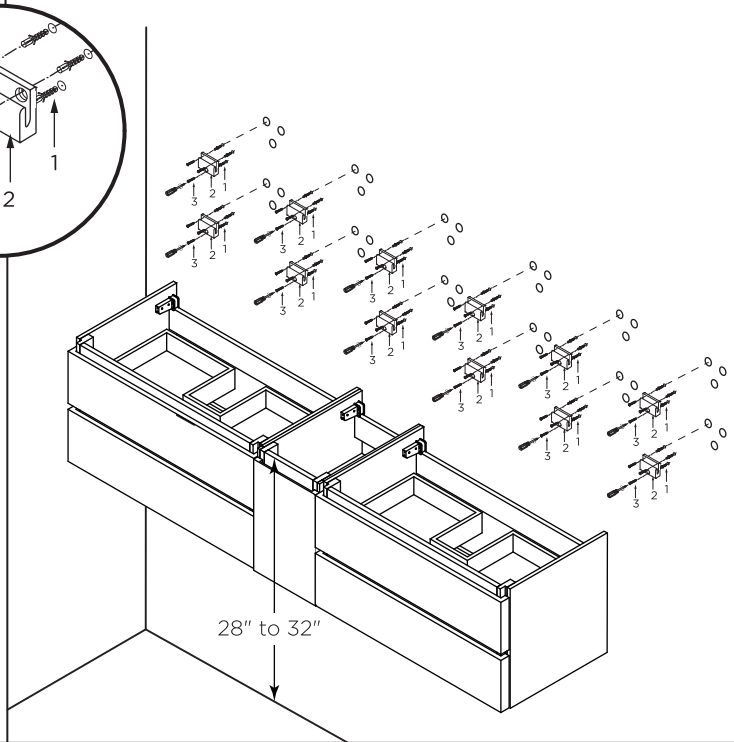
## CABINET AND SINK INSTALLATION

- 1** Mark anchor mounting hole locations on wall as shown. Drill holes in the finished wall as required.

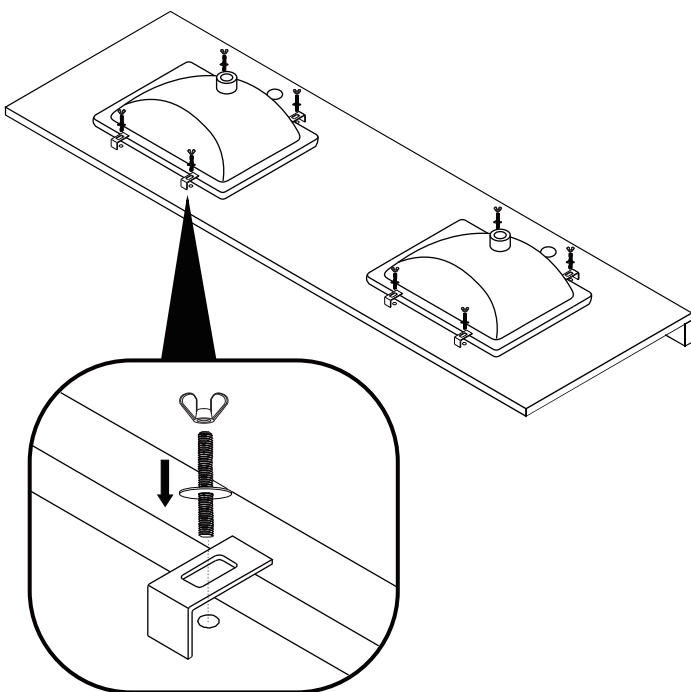
**IMPORTANT:** Consult an expert for the proper screws/bolts to use when attaching to various constructions, Screws provided do not attach to all wall construction types. Anchors are not required if brackets are installed in stud.



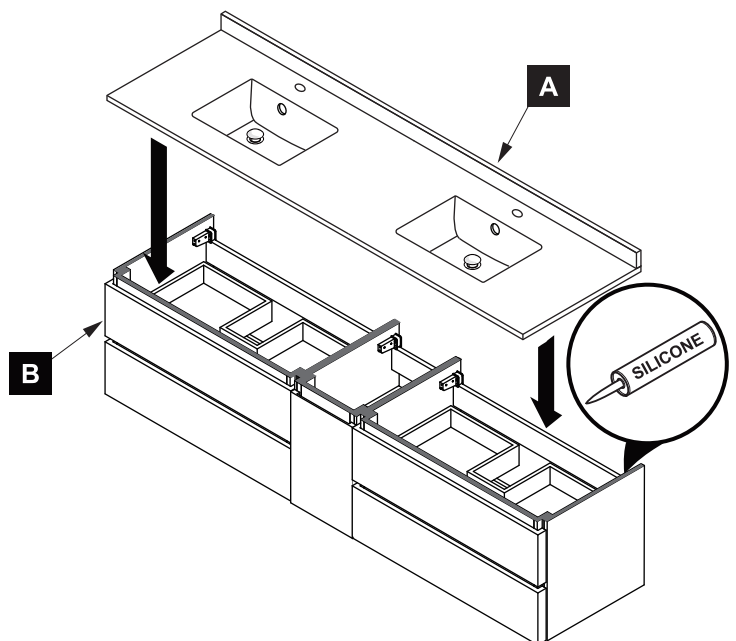
- 2** Attach cabinet to the wall with the screws. Insert the anchor(1) into the holes and secure the wall bracket(2) with the screws(3).

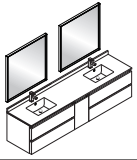


- 3** Install sink.



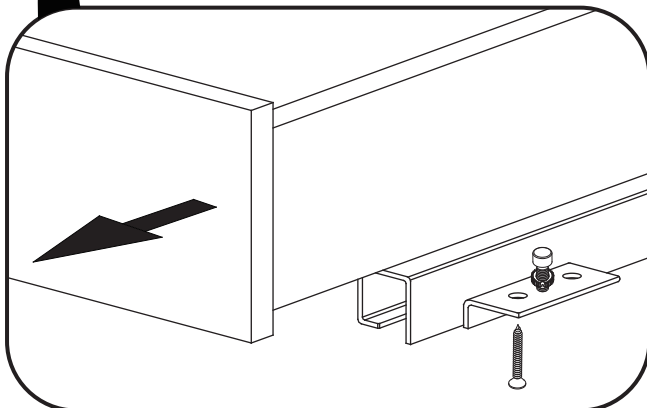
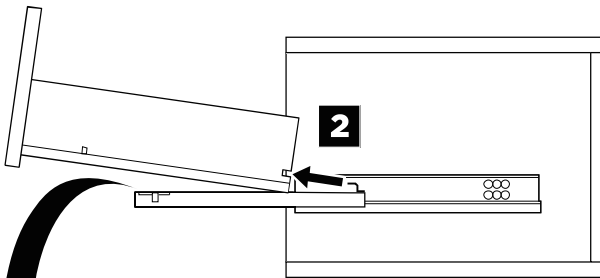
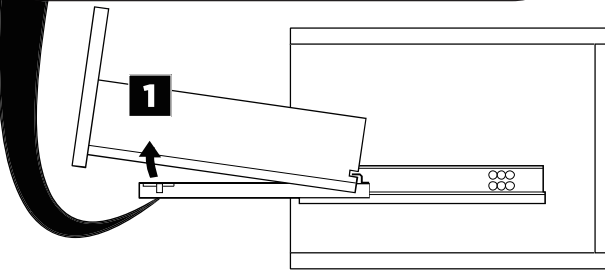
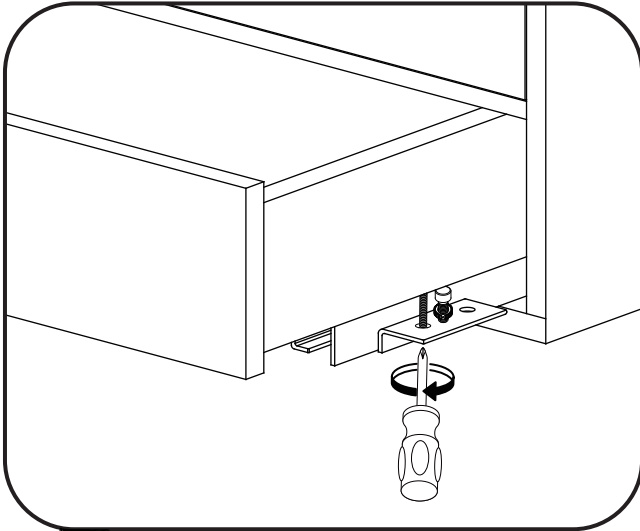
- 4** Apply a bead of silicone on the top of the cabinet (A) and place sink (B) on the cabinet.



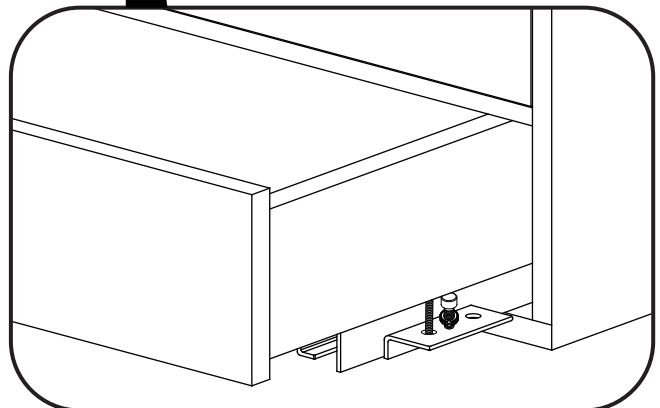
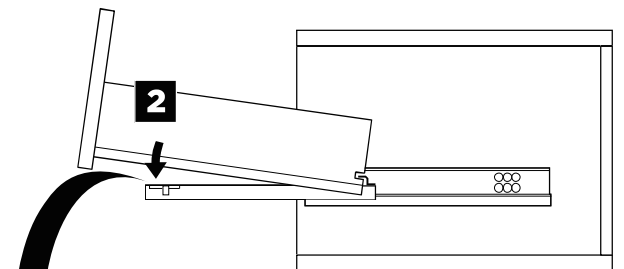
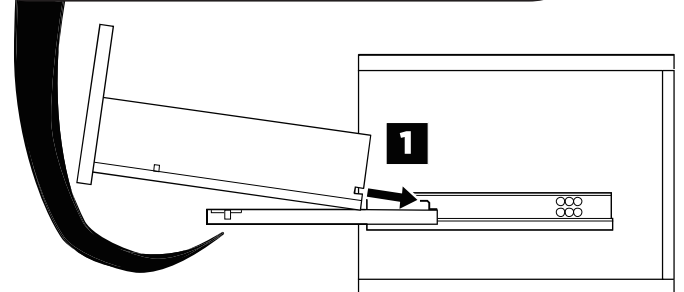
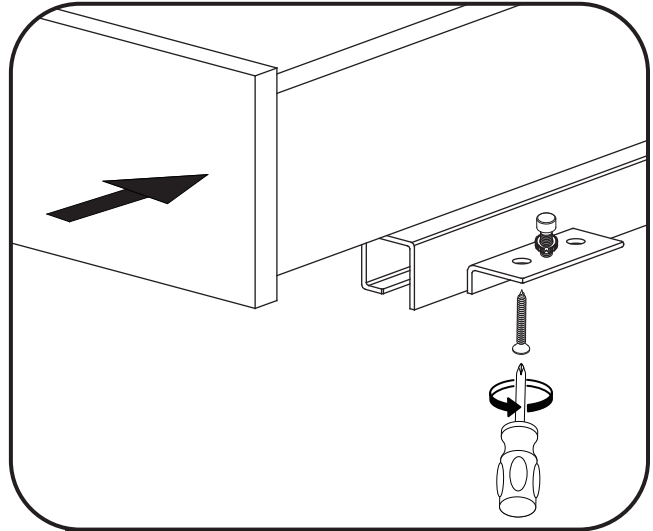


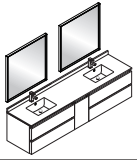
## DRAWER REMOVAL & INSTALLATION

### REMOVAL



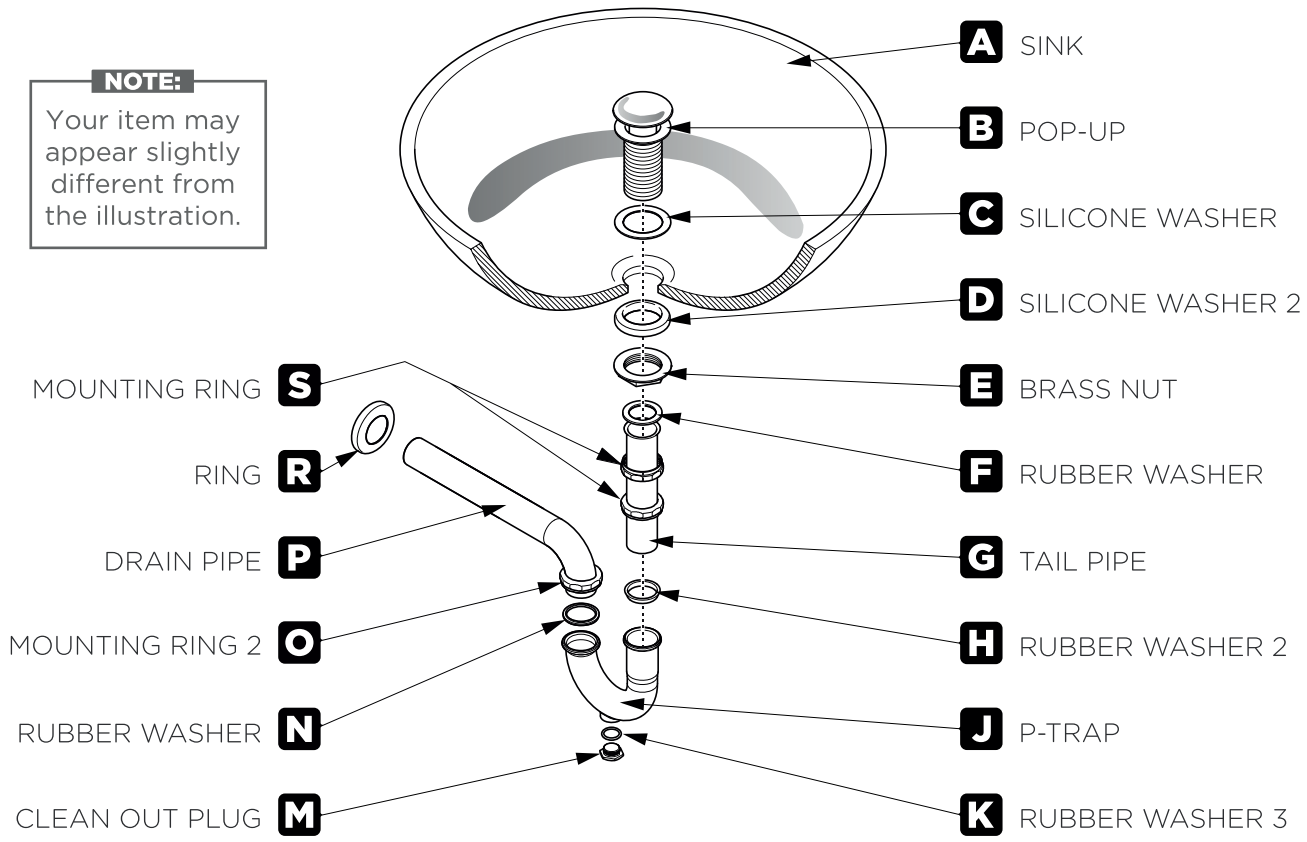
### INSTALLATION





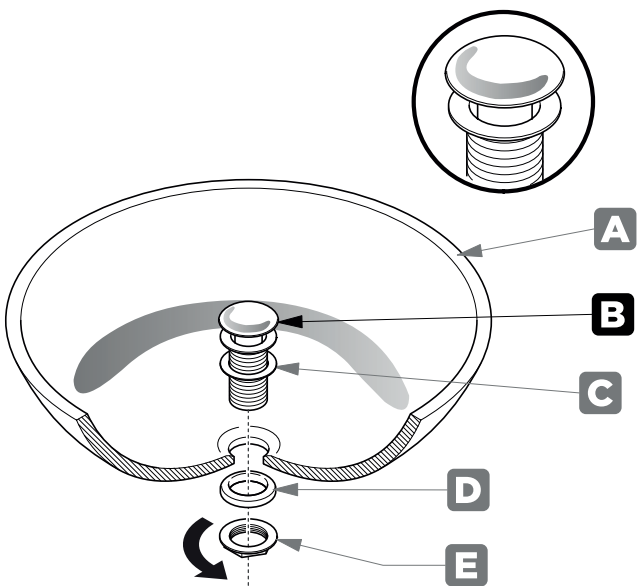
**P-TRAP AND POP-UP INSTALLATION INSTRUCTIONS**

**NOTE:**  
 Your item may appear slightly different from the illustration.



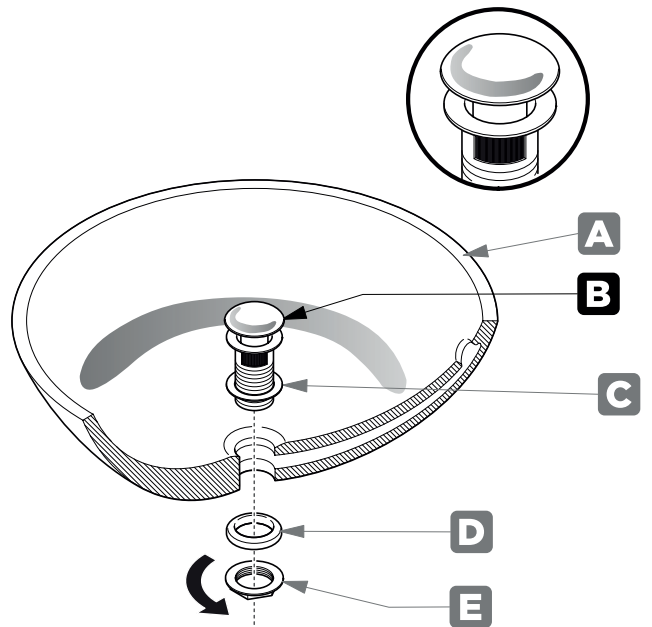
**POP-UP INSTALLATION INSTRUCTIONS**

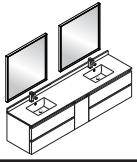
**FOR SINKS WITHOUT OVERFLOW**



OR

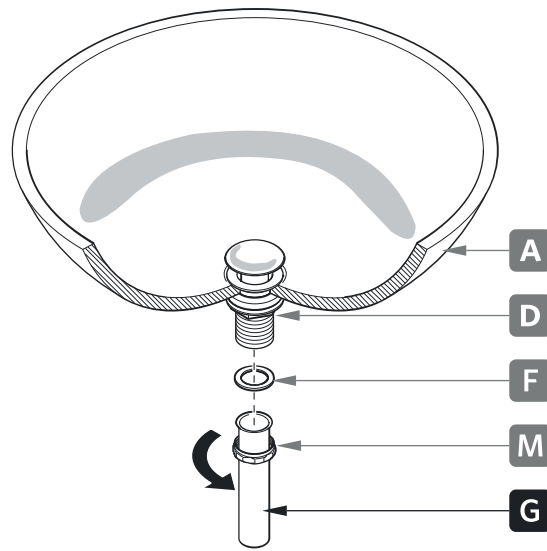
**FOR SINKS WITH OVERFLOW**





## P-TRAP INSTALLATION

**1** Install tail pipe (G)



**2** Install p-trap (J)

