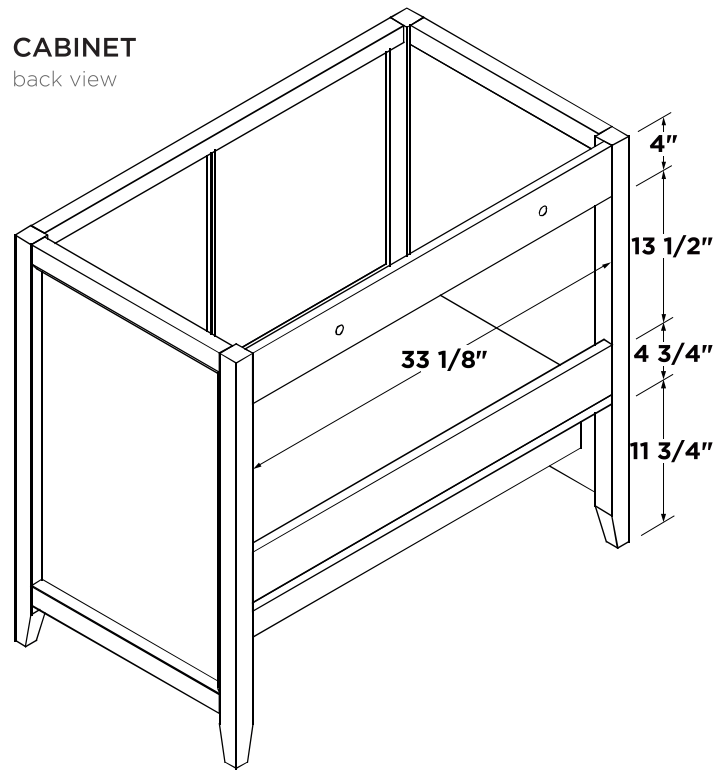
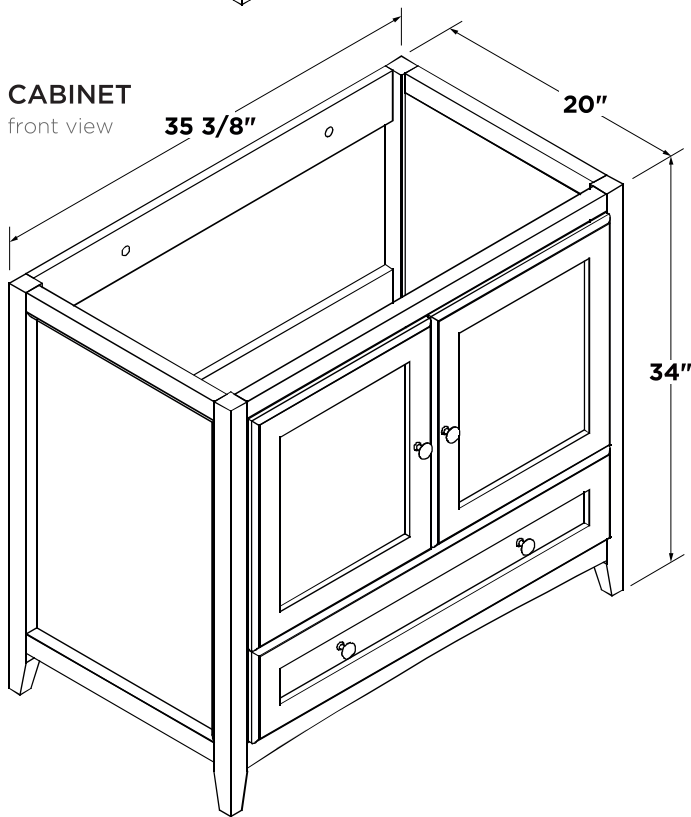
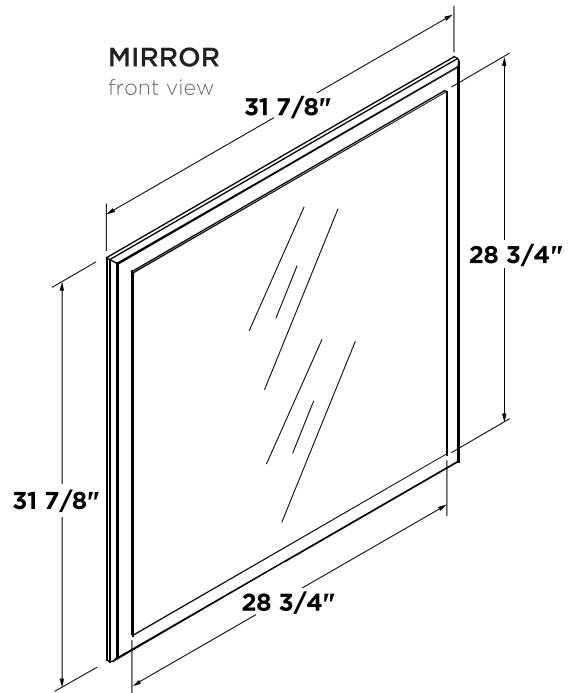
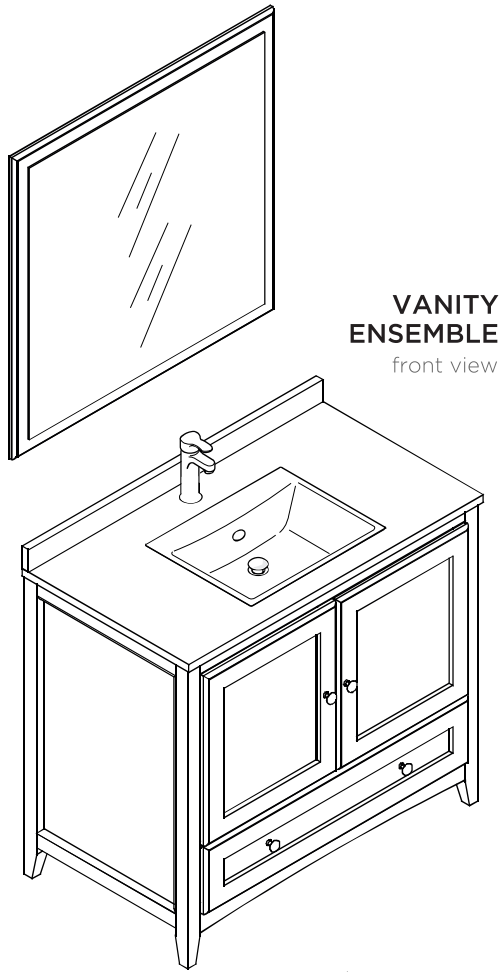
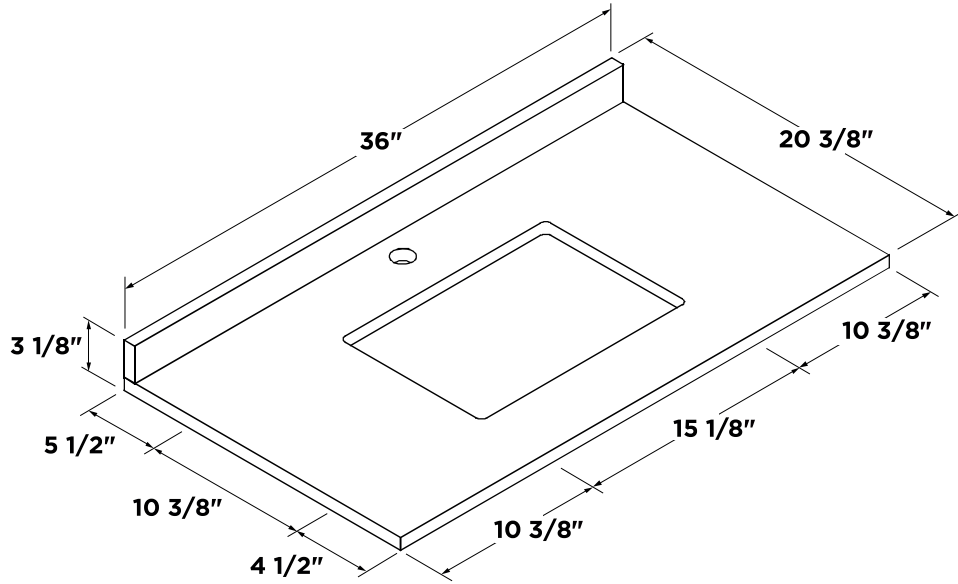


**FVN2036**  
**OXFORD**  
**INSTALLATION GUIDE**



## COUNTER TOP & BACK SPLASH DIMENSIONS



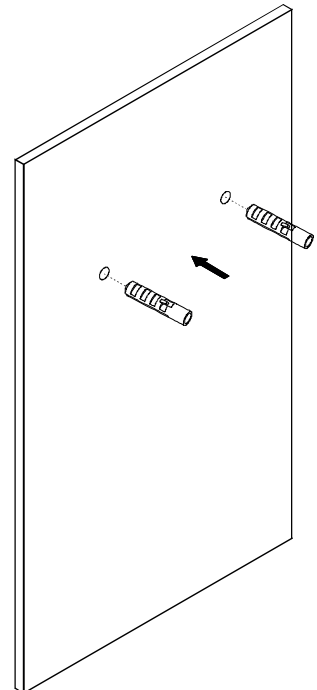
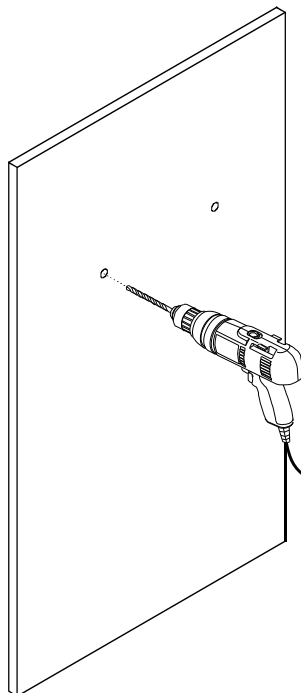
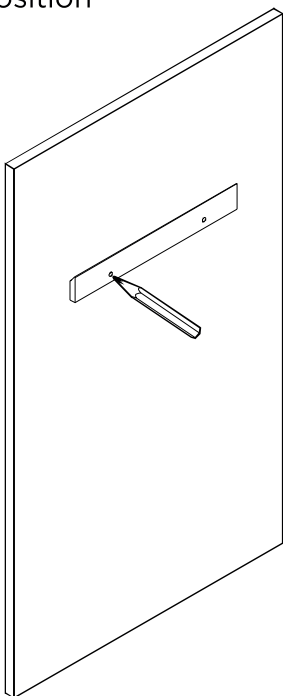
Note: All dimensions and specifications are approximate and subject to change without notice.

### TOOLS FOR ASSEMBLY



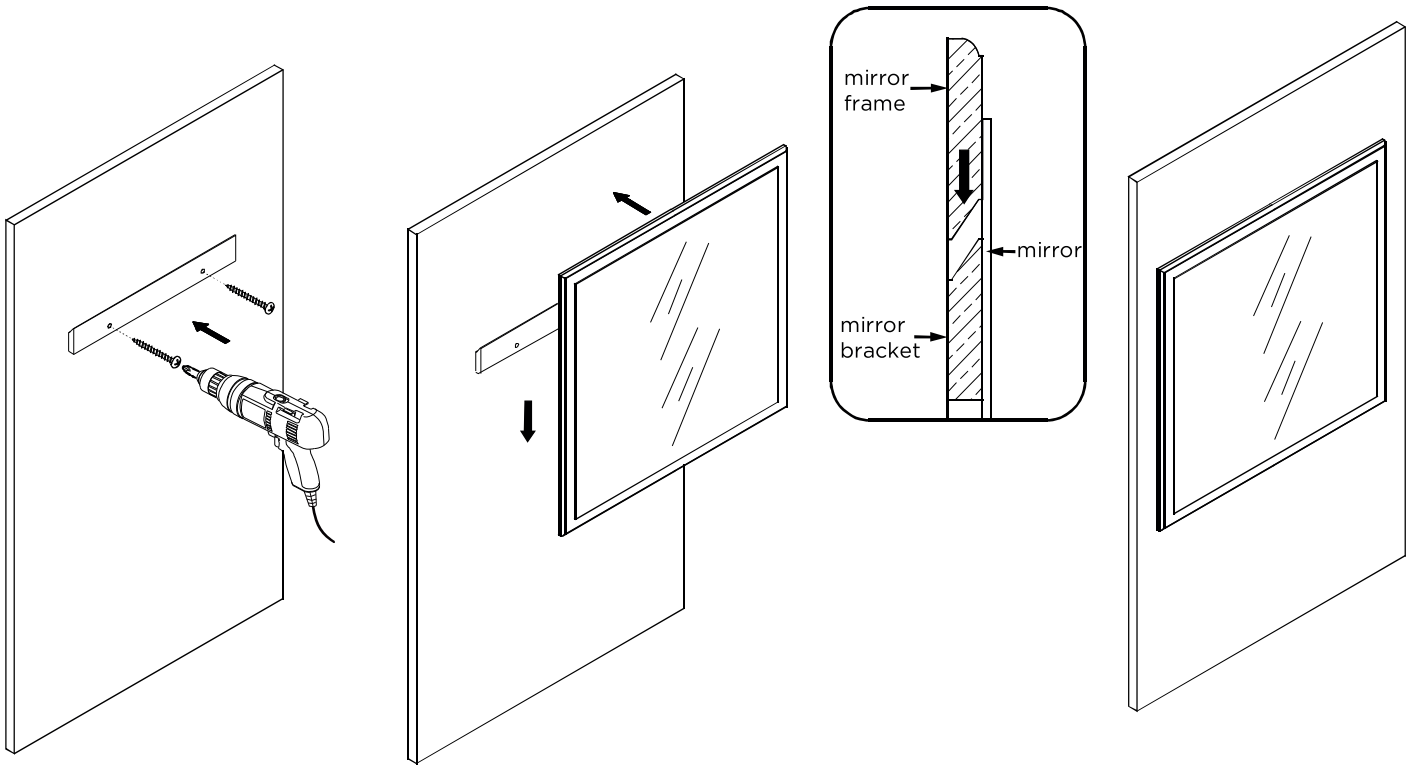
### MIRROR INSTALLATION

- 1 Level the mirror bracket and then mark the installation position
- 2 Drill the installation holes
- 3 Insert the plastic plug



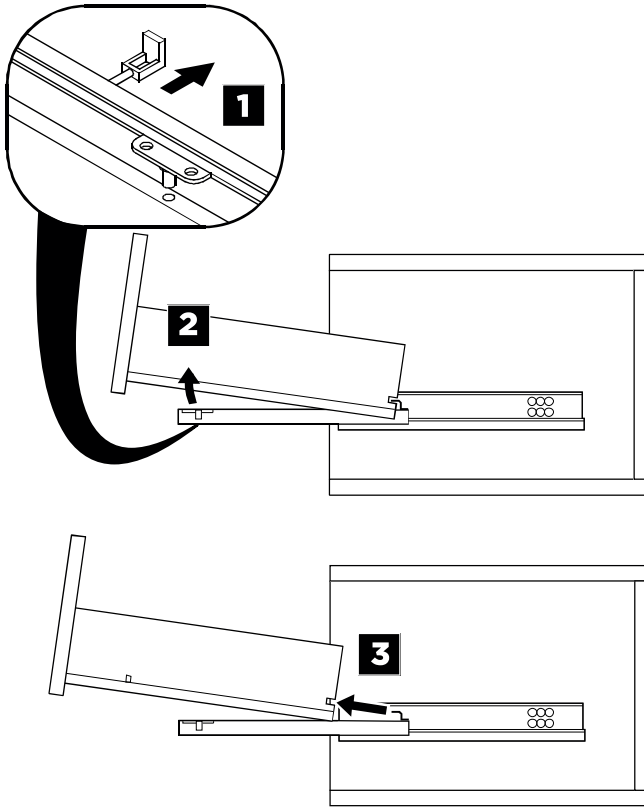
**4** Fix the mirror bracket

**5** Hang up the mirror

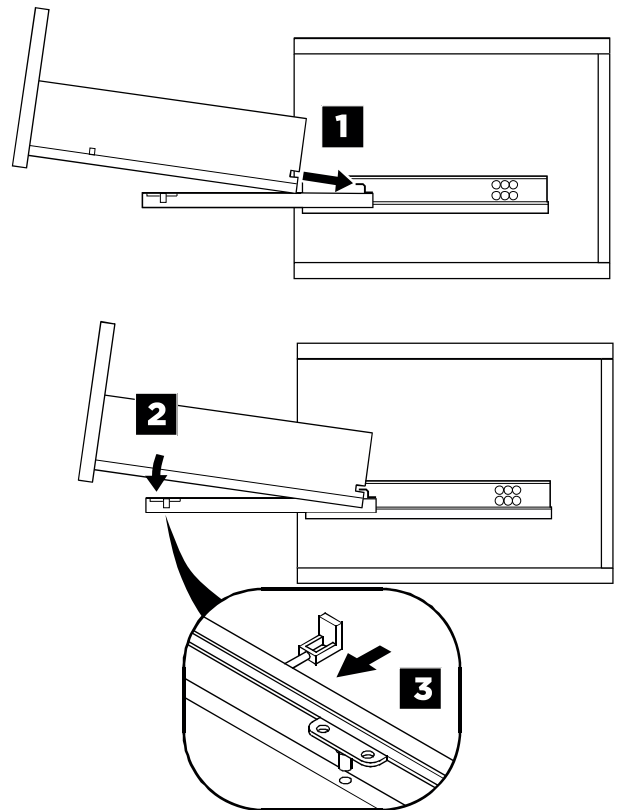


### DRAWER REMOVAL & INSTALLATION

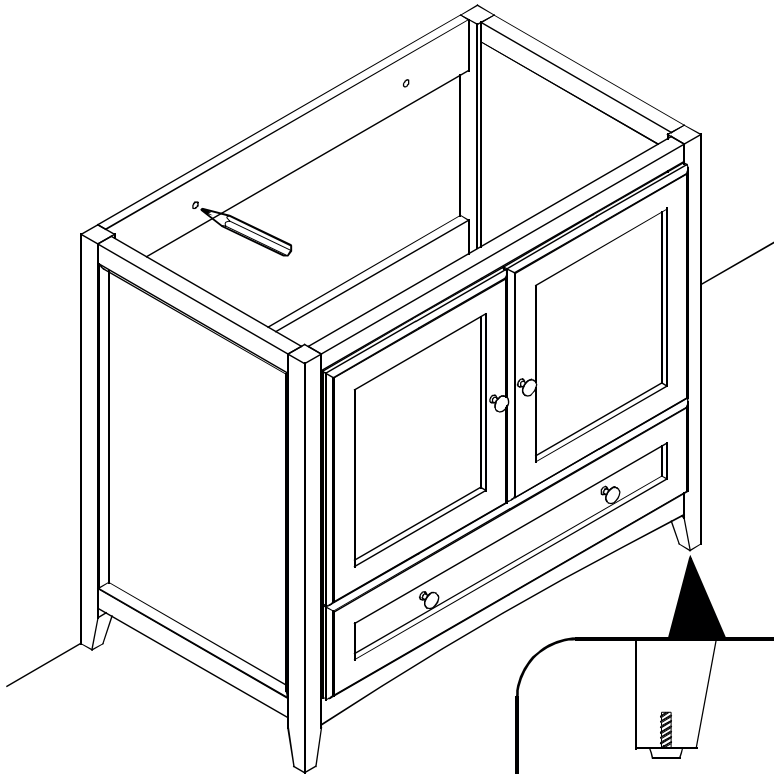
#### REMOVAL



#### INSTALLATION

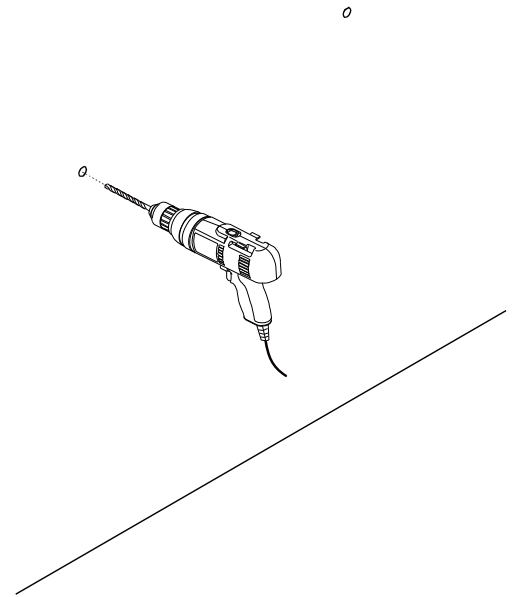


**1** Level the cabinet and mark position for the installation.



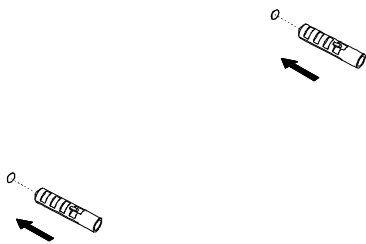
To ensure stability, cabinet's height can be regulated by turning the glide clockwise or counterclockwise.  
*(Optional Step)*

**2** Drill the holes previously marked.



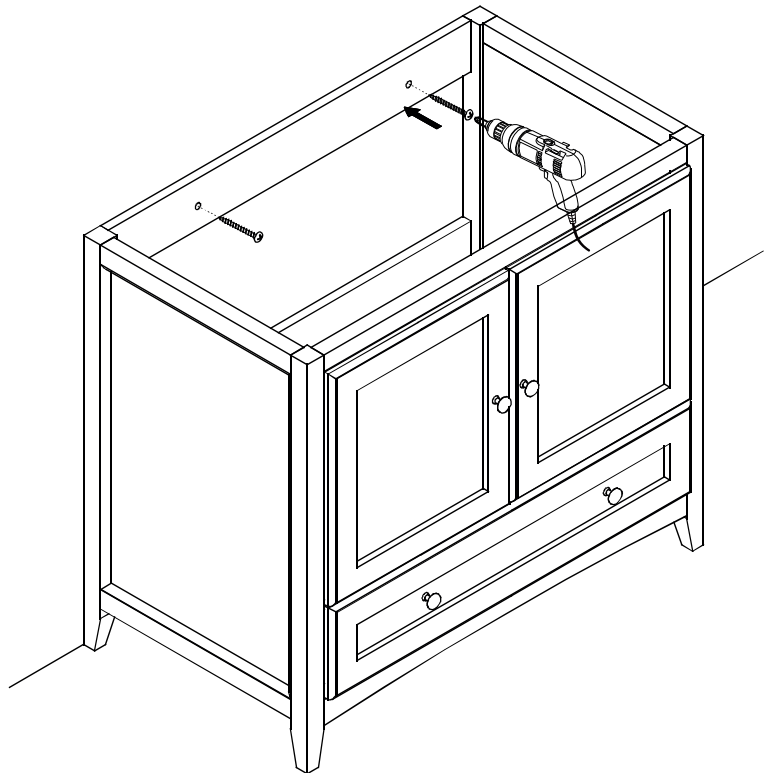
**3** \*Insert the anchors into the holes

**\*NOTE:**  
Only use anchors if stud is not available.



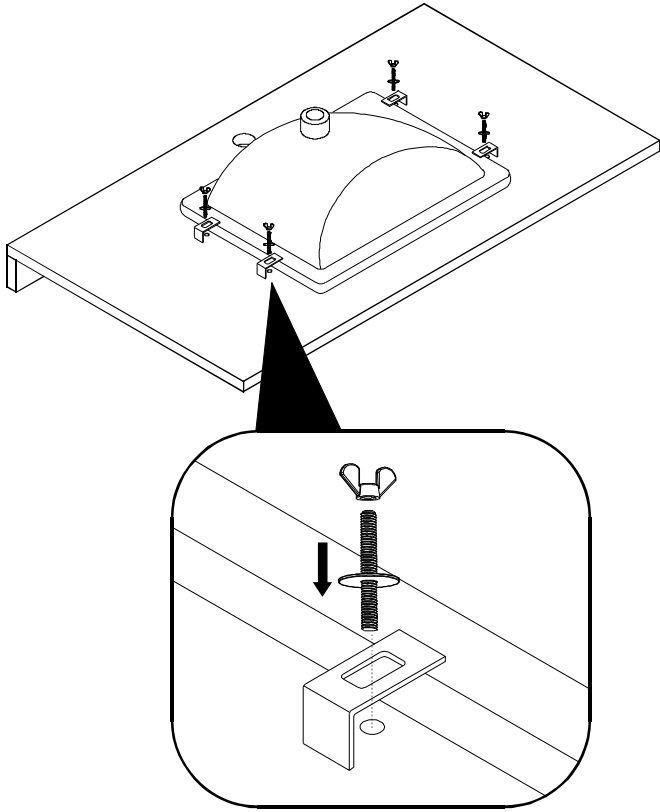
☞ Consult an expert for the proper screws/bolts to use when attaching to various wall constructions. Screws provided **do not attach** to all wall construction types.

**4** \*Connect the cabinet to the wall using screws



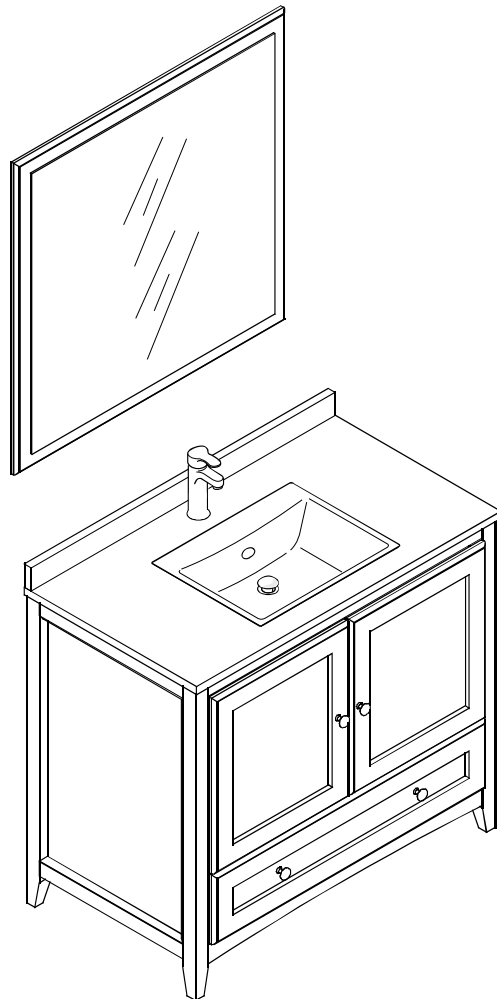
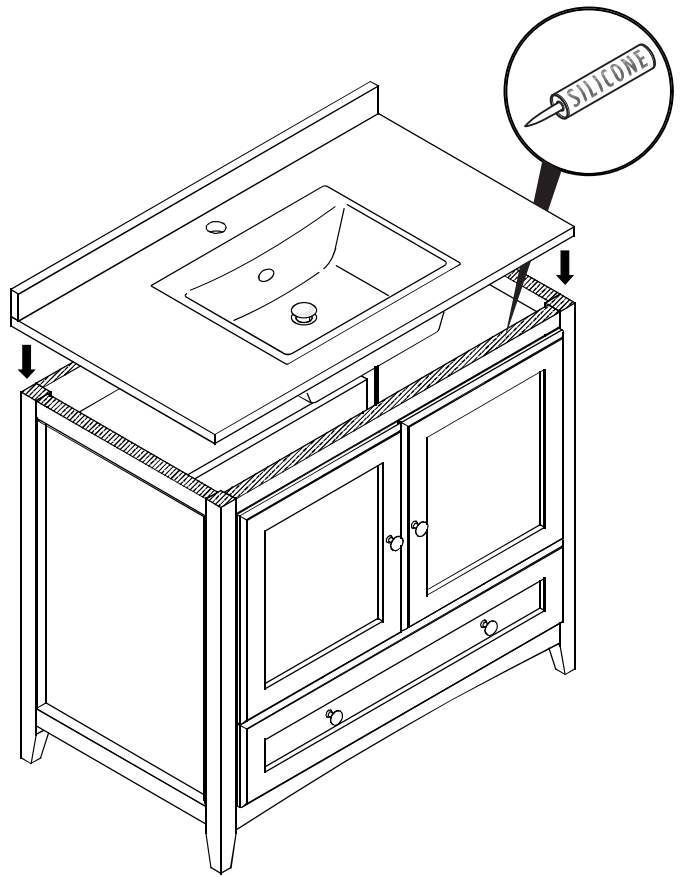
5

Flip the countertop upside down and attach the sink to it using a provided brackets & screws.



6

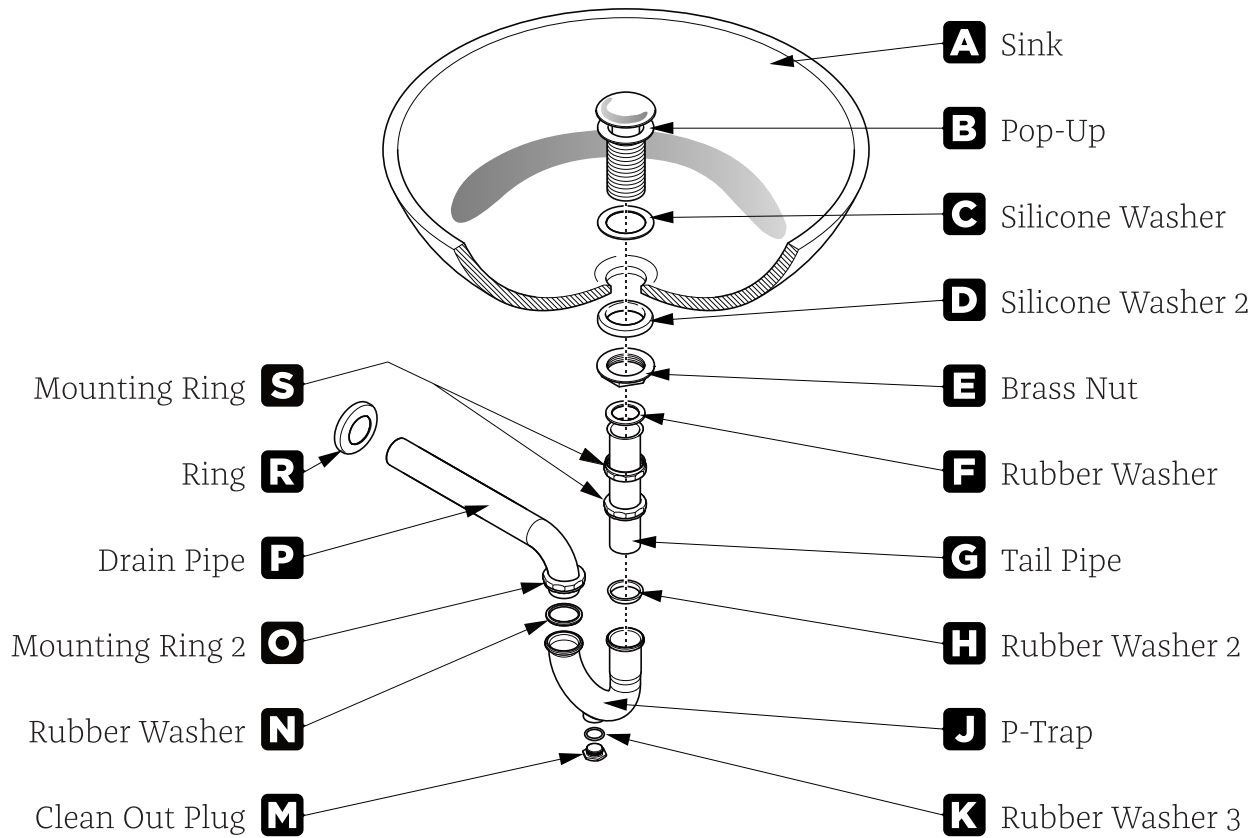
Apply silicone to the top of the cabinet and place the countertop with sink attached on it.



# POP-UP & P-TRAP

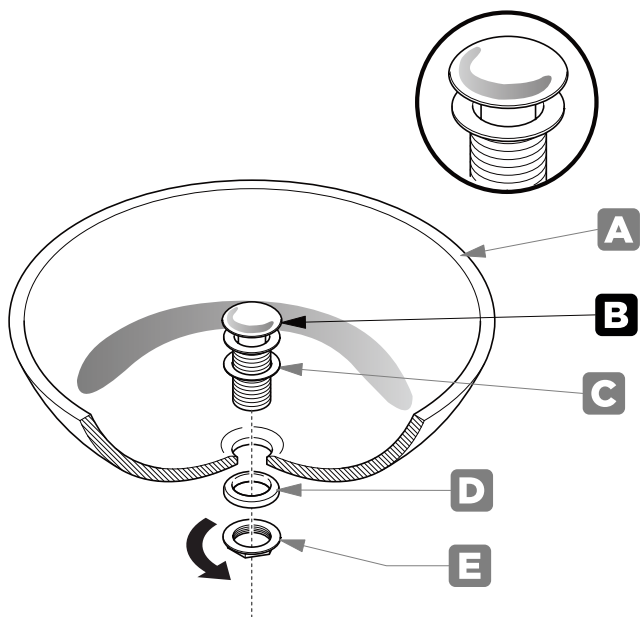
## INSTALLATION INSTRUCTIONS

Your item may appear slightly different from the illustration.



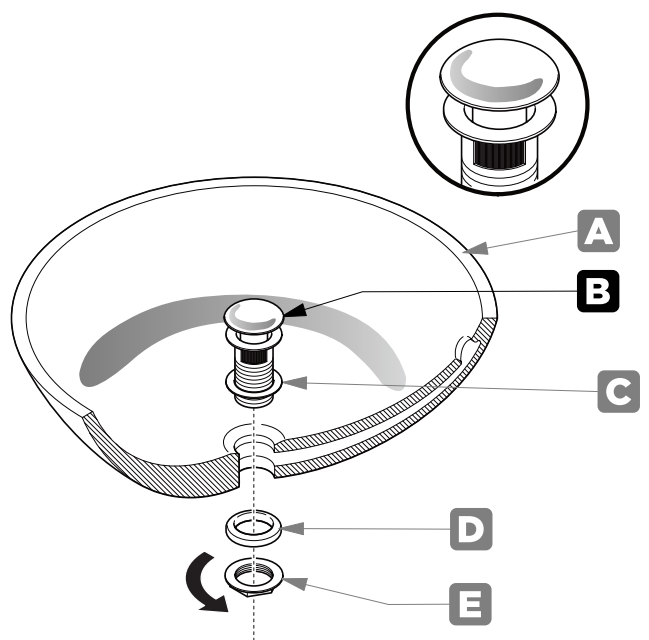
## POP-UP INSTALLATION

**FOR SINKS WITHOUT OVERFLOW**



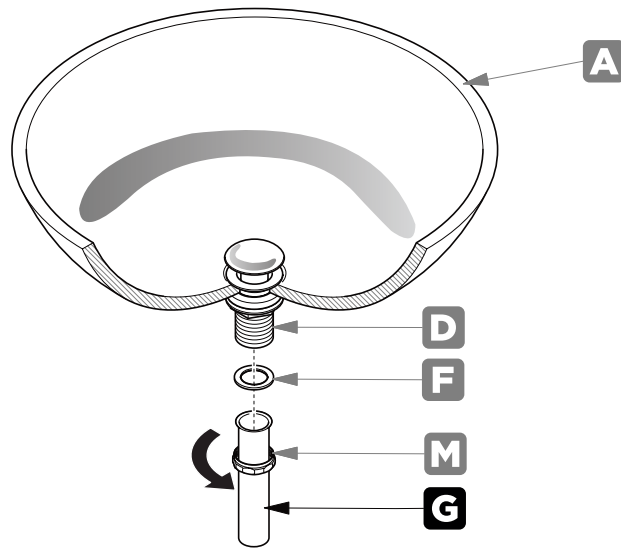
OR

**FOR SINKS WITH OVERFLOW**



# P-TRAP INSTALLATION

**1** Install tail pipe (G).



**2** Install P-trap (J).

