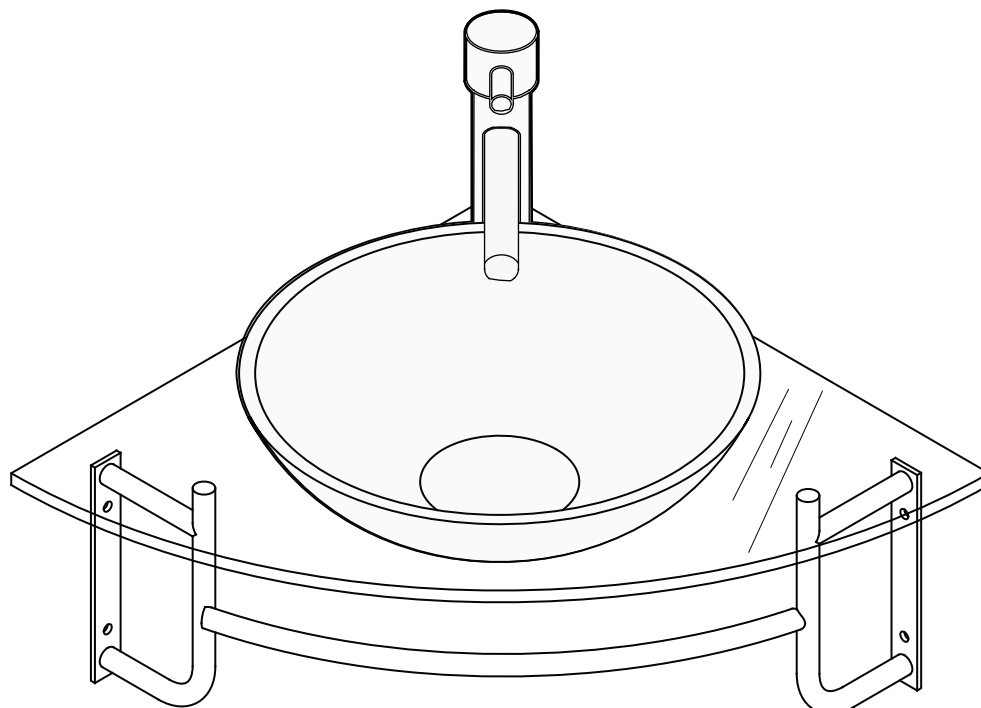
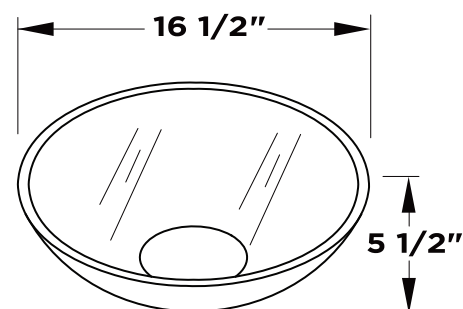
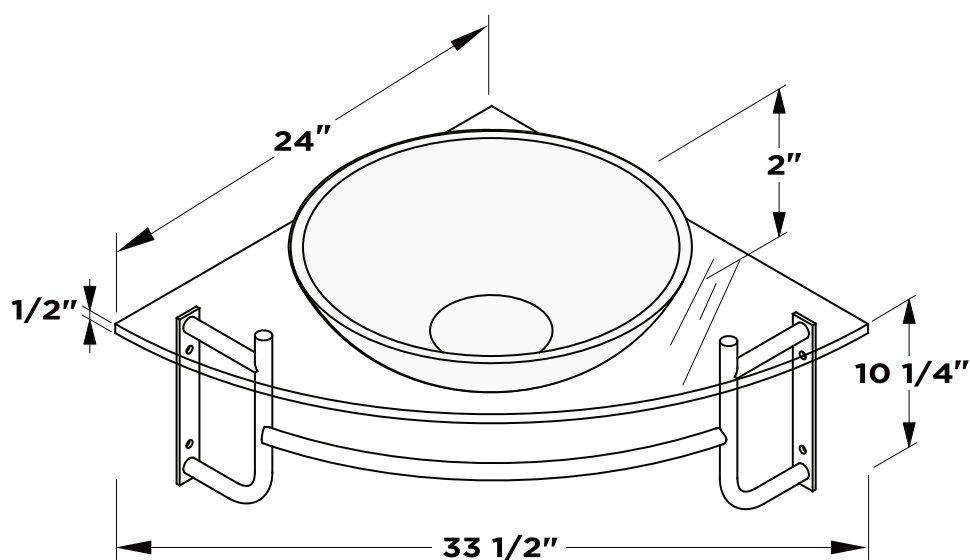


FVN1040
ORDINATO
INSTALLATION GUIDE



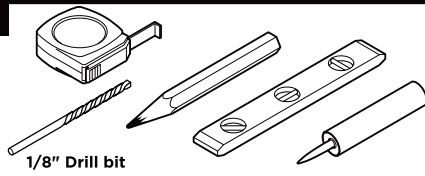
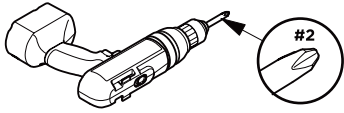
Vanity Front

Sink



Note: All dimensions and specifications are approximate and subject to change without notice.

TOOLS FOR ASSEMBLY



1/8" Drill bit

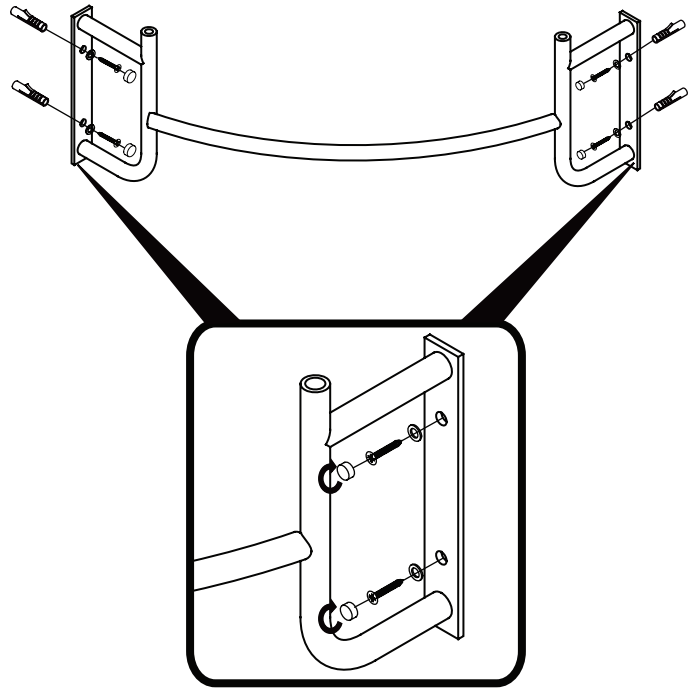
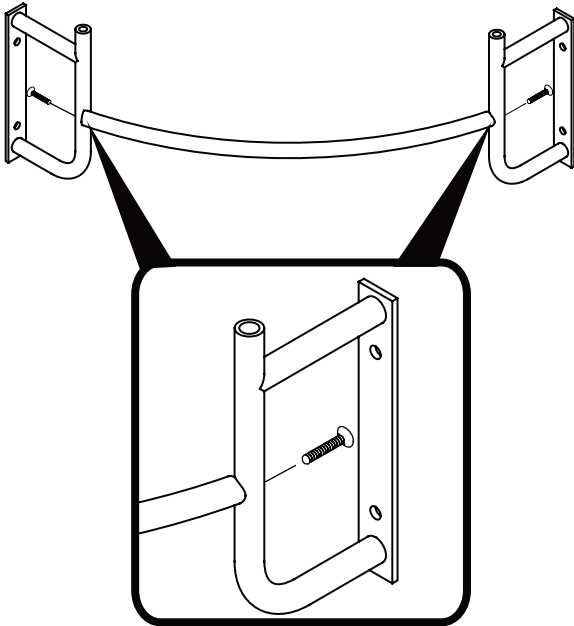
2

Install side bracket

IMPORTANT: Consult an expert for the proper screws/bolts to use when attaching to various wall constructions. Screws provided do not attach to all wall construction types.

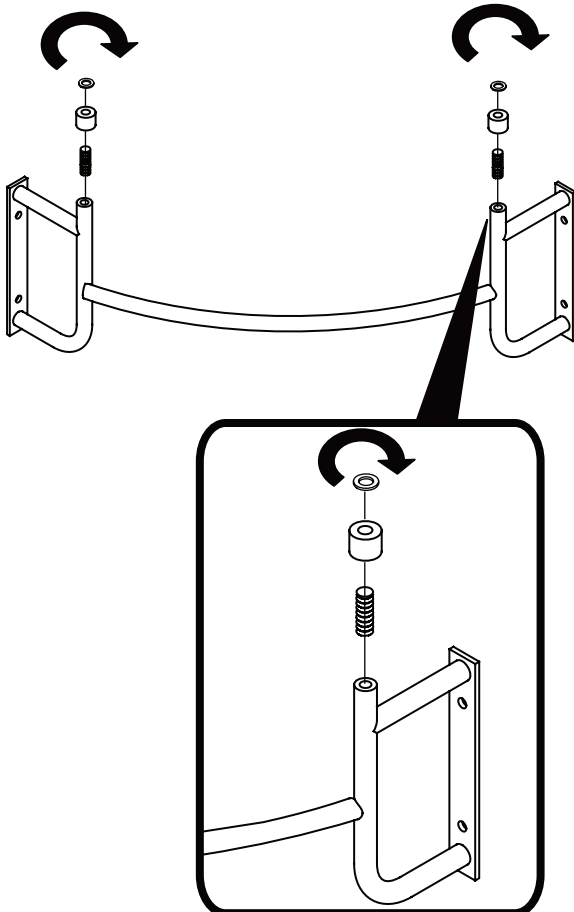
1

Install middle bracket



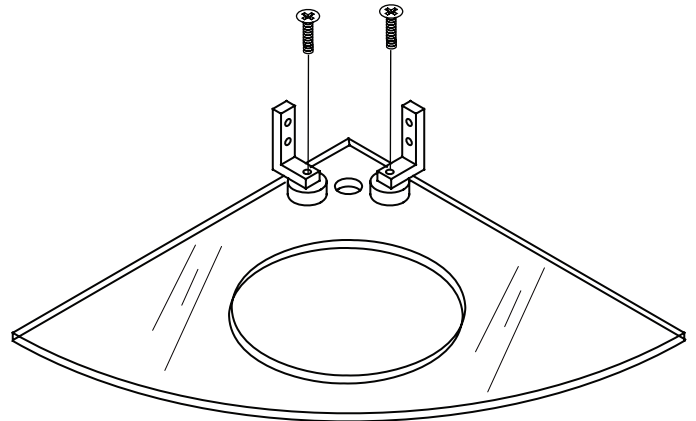
3

Install top caps



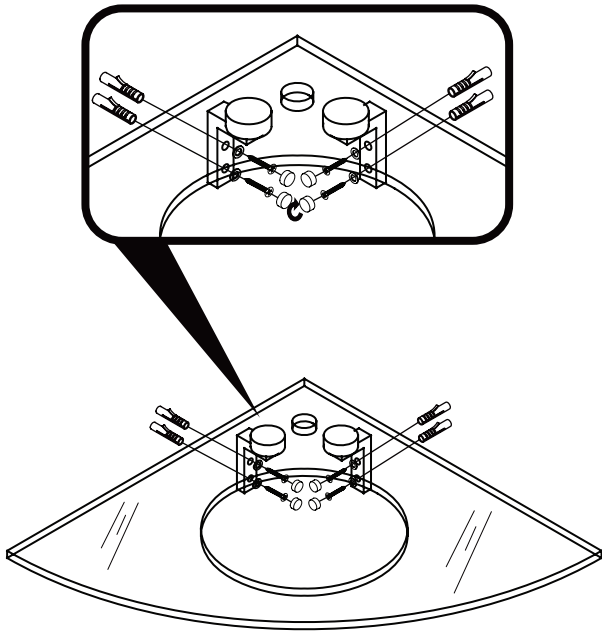
4

Install "L" bracket with bolts



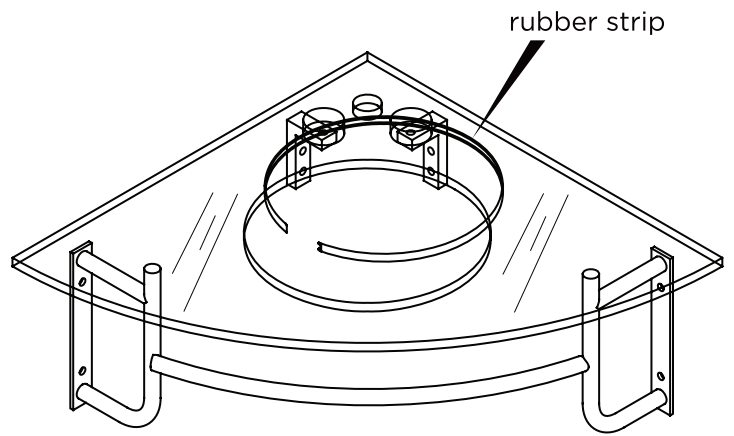
5

Install "L" bracket



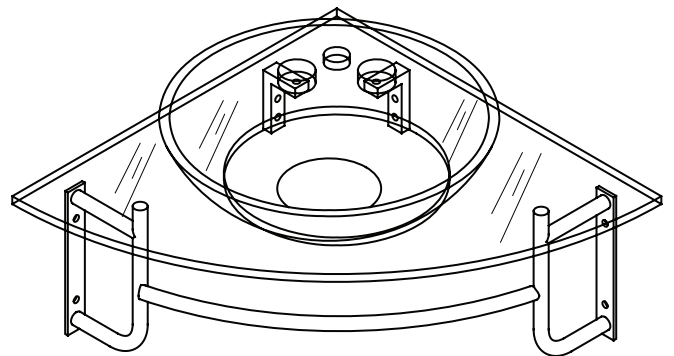
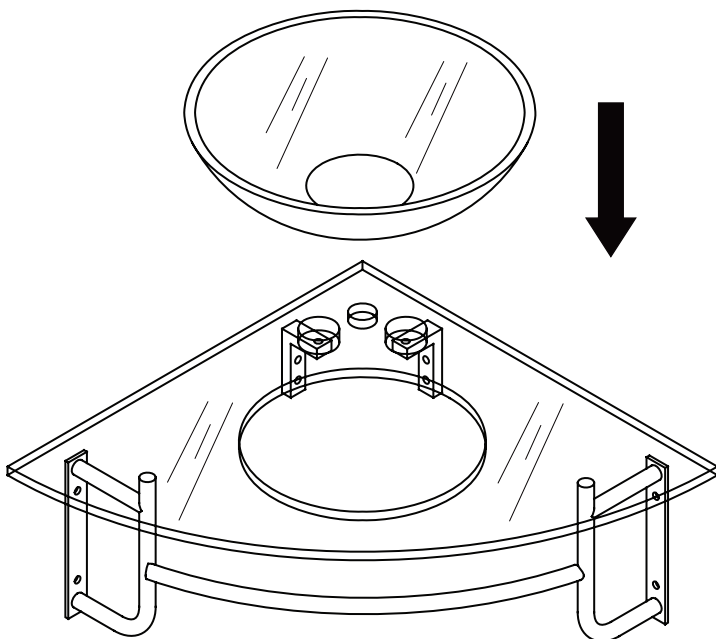
6

Install rubber strip



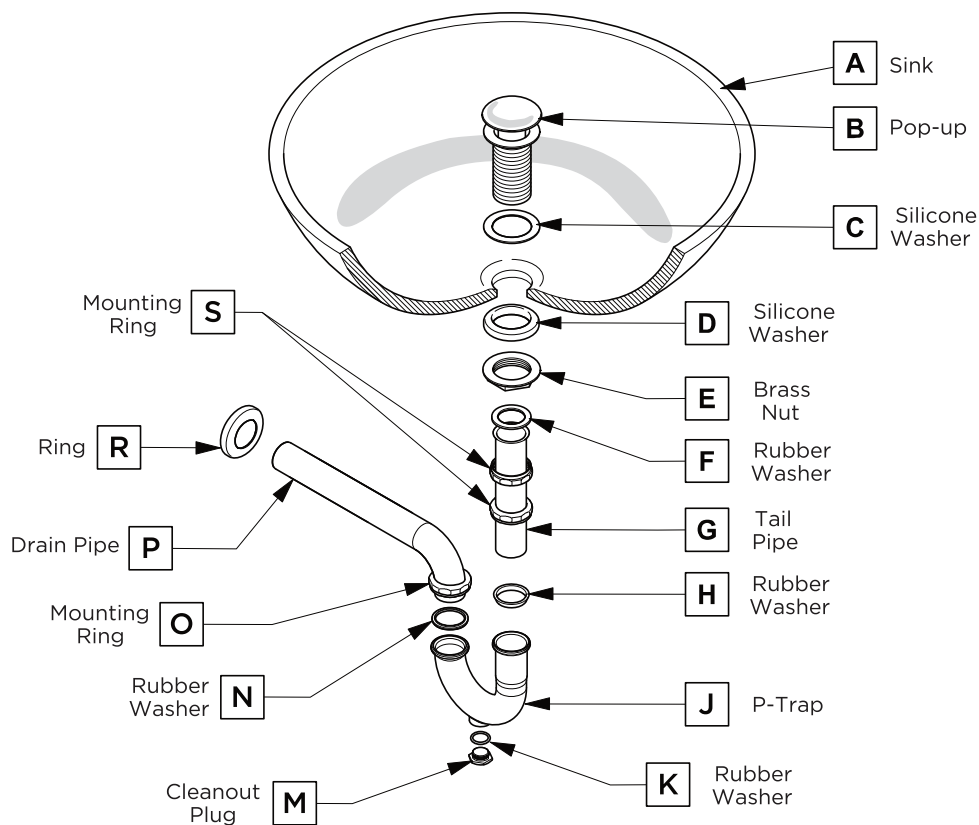
7

Install sink



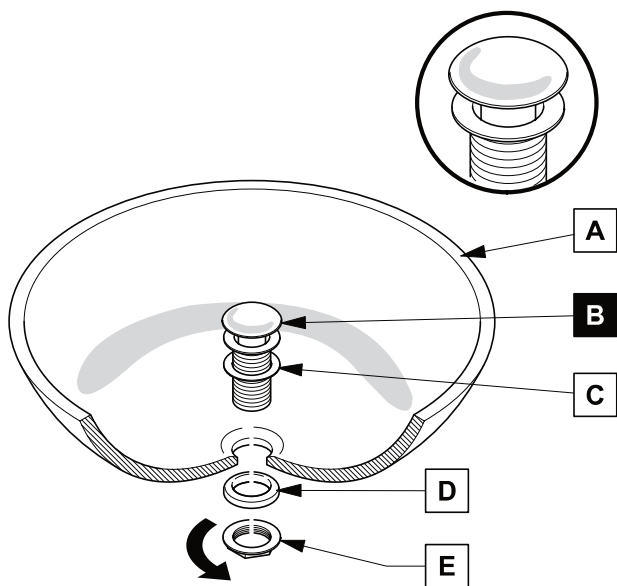
P-TRAP AND POP-UP INSTALLATION INSTRUCTIONS

Your item may appear slightly different from the illustration



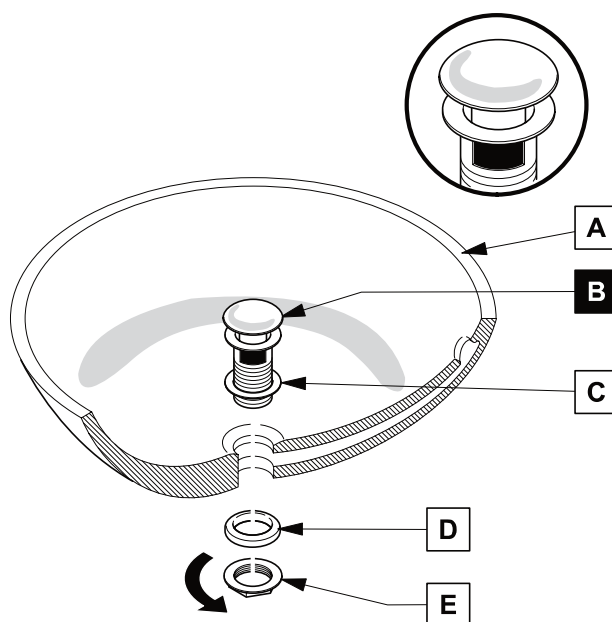
POP-UP INSTALLATION

FOR SINKS WITHOUT OVERFLOW



OR

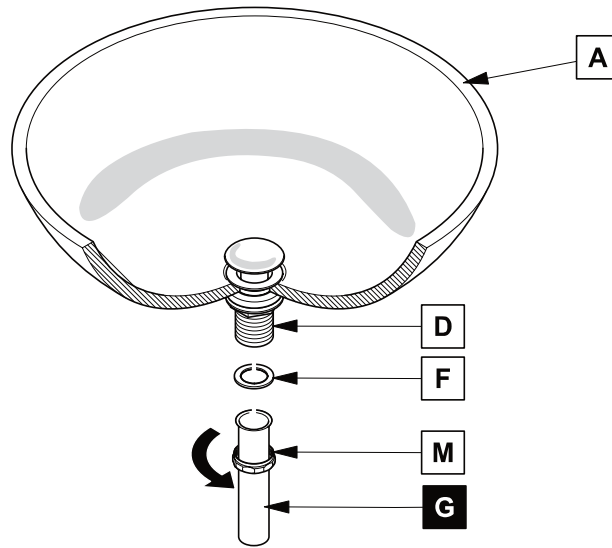
FOR SINKS WITH OVERFLOW



P-TRAP INSTALLATION

1

Install tail pipe (G)



2

Install p-trap (J)

