



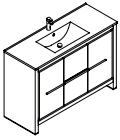
# FVN8148

# ALLIER

## INSTALLATION GUIDE

### CONTENTS:

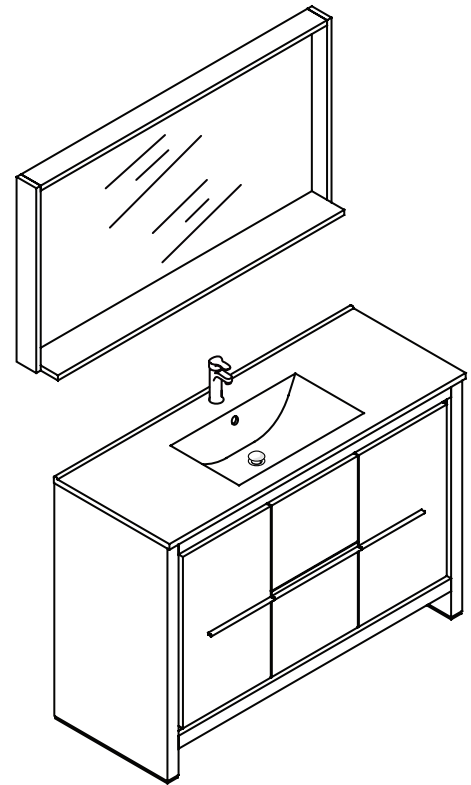
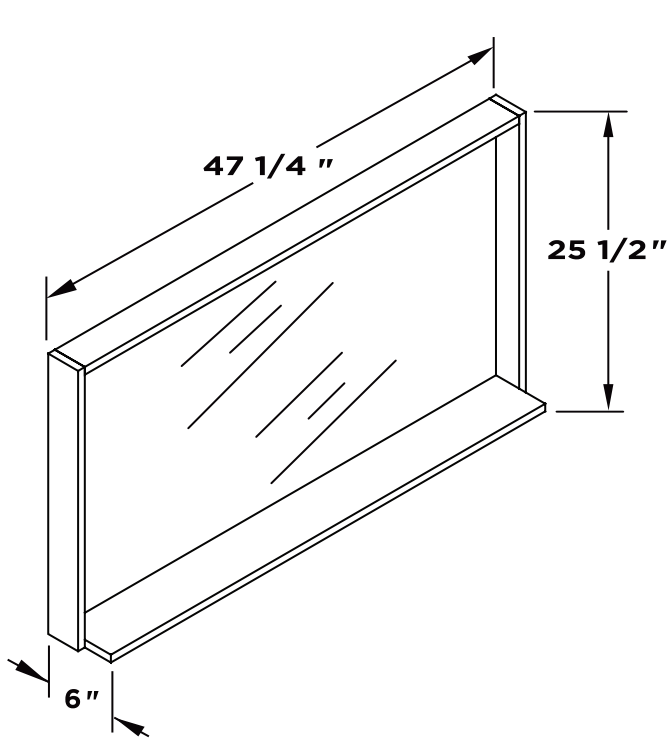
Cabinet .....	(FCB8148) .....	PAGE 3
Sink .....	(FVS8148) .....	PAGE 3
Mirror.....	(FMR8148) .....	PAGE 2



# FVN8148 ALLIER INSTALLATION GUIDE

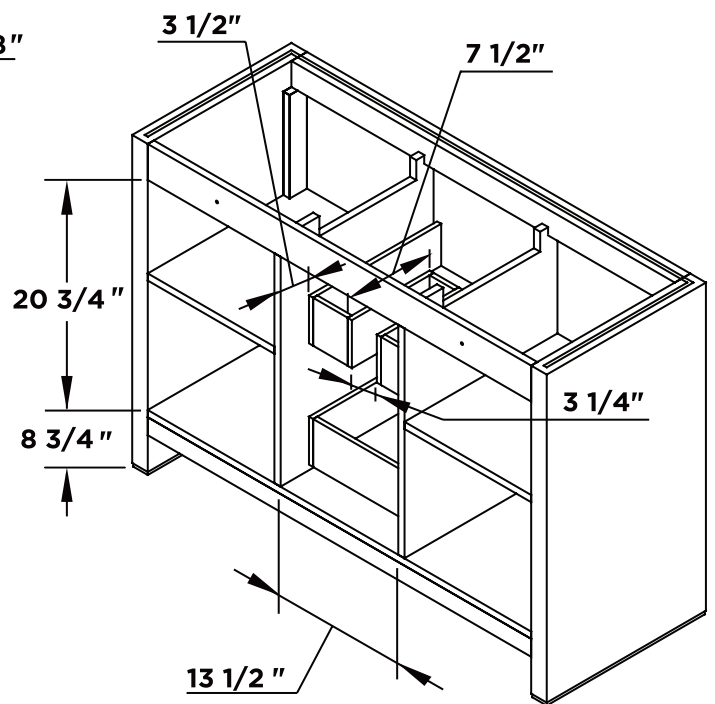
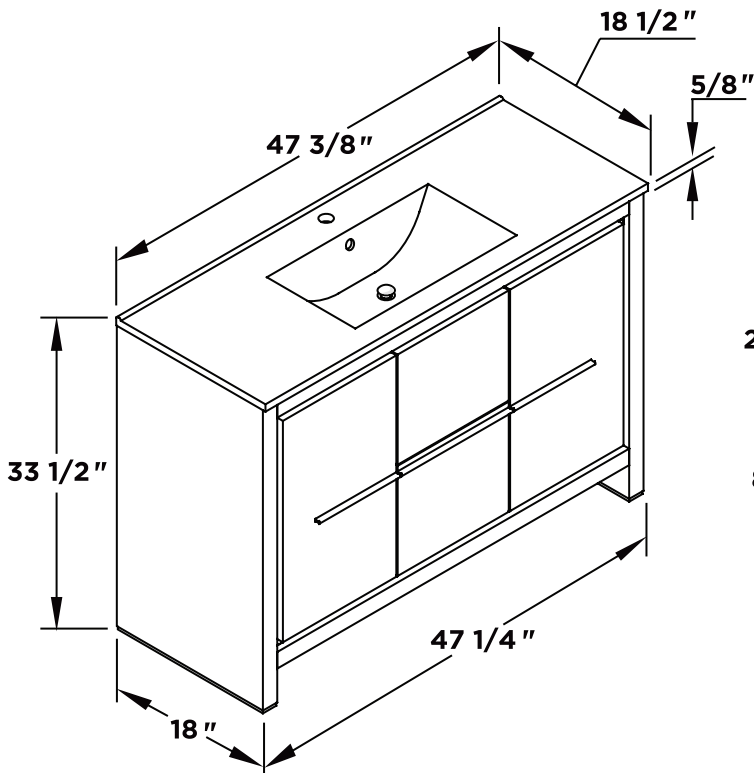


Mirror

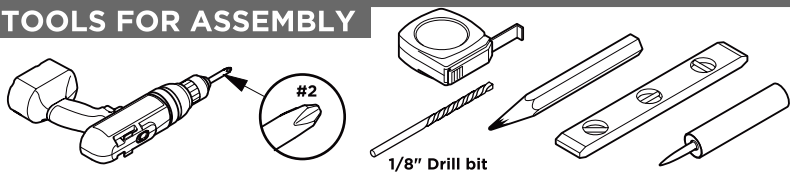


Vanity Front

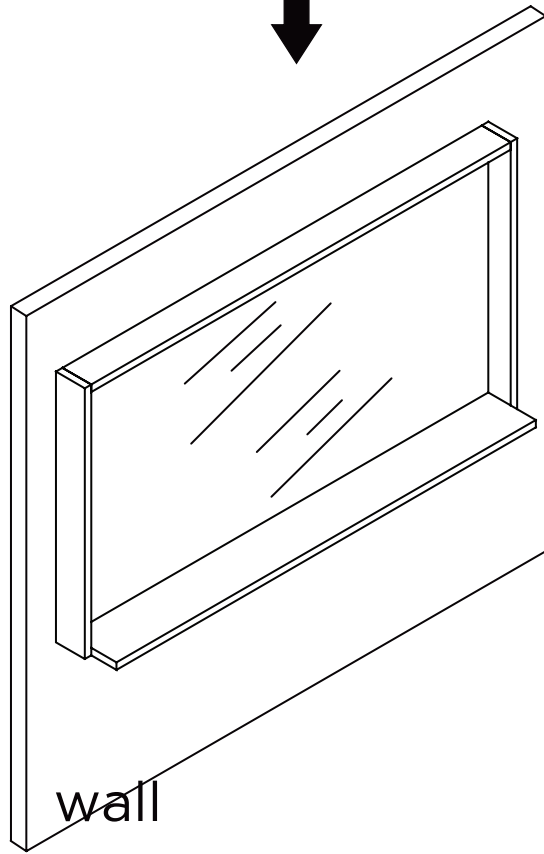
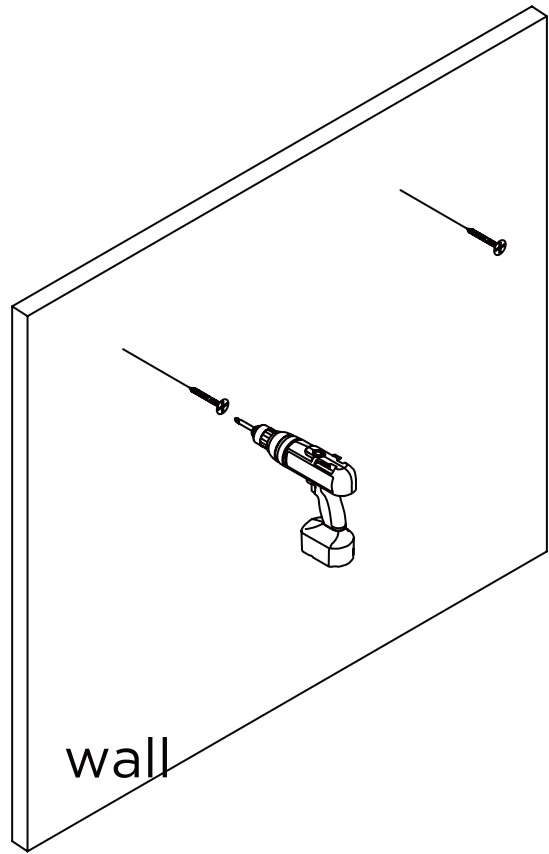
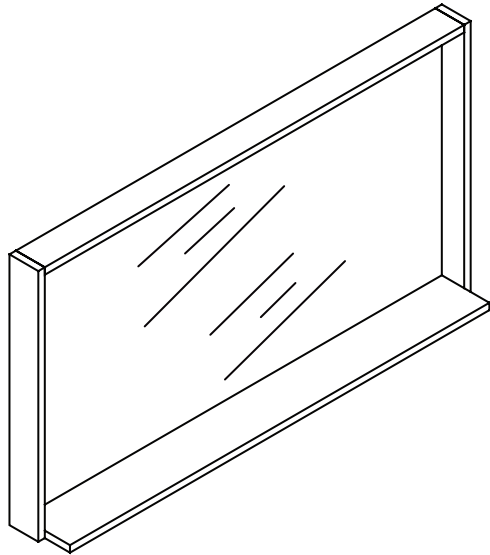
Vanity Back



**TOOLS FOR ASSEMBLY**

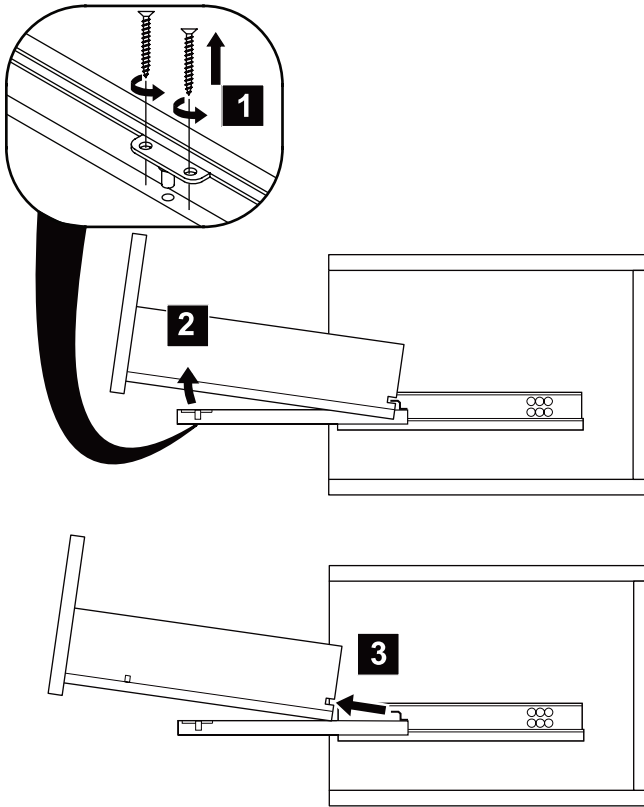


**MIRROR INSTALLATION**

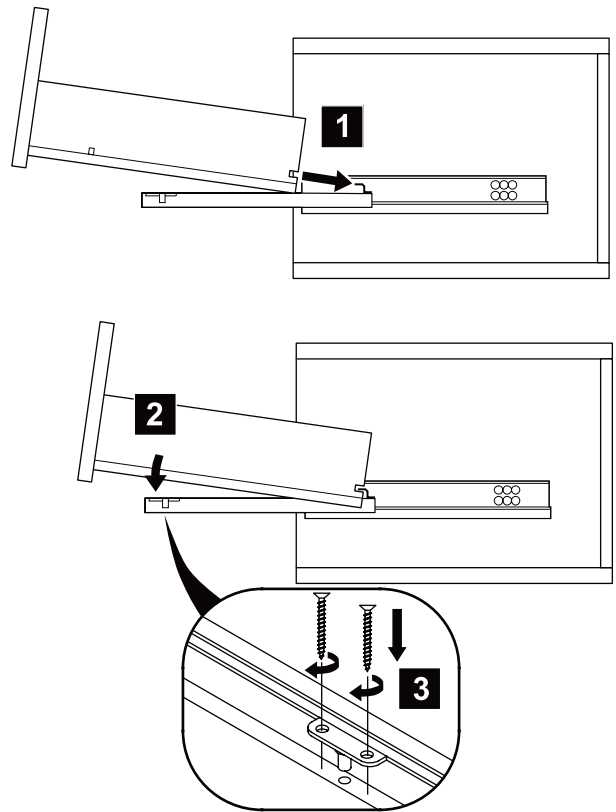


# DRAWER REMOVAL & INSTALLATION

## REMOVAL

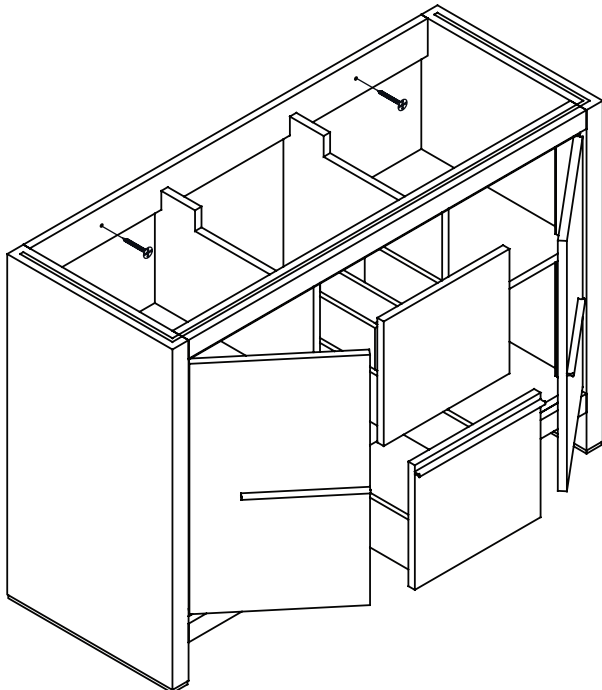


## INSTALLATION

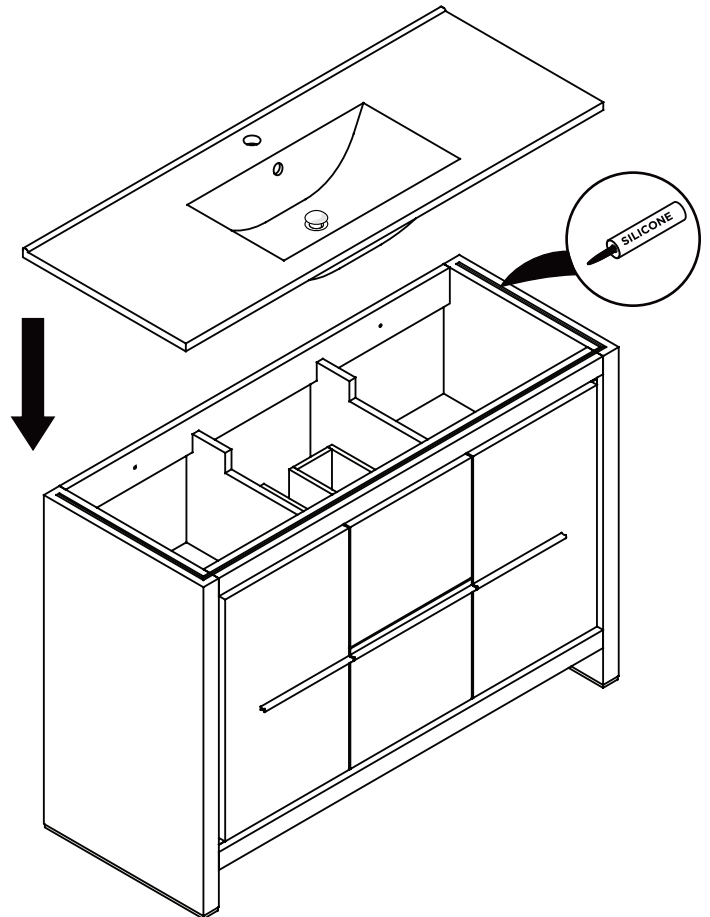


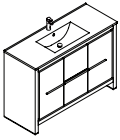
**1** Remove drawer and open the door

**IMPORTANT:** Consult an expert for the proper screws/bolts to use when attaching to various wall constructions. Screws provided do not attach to all wall construction types.

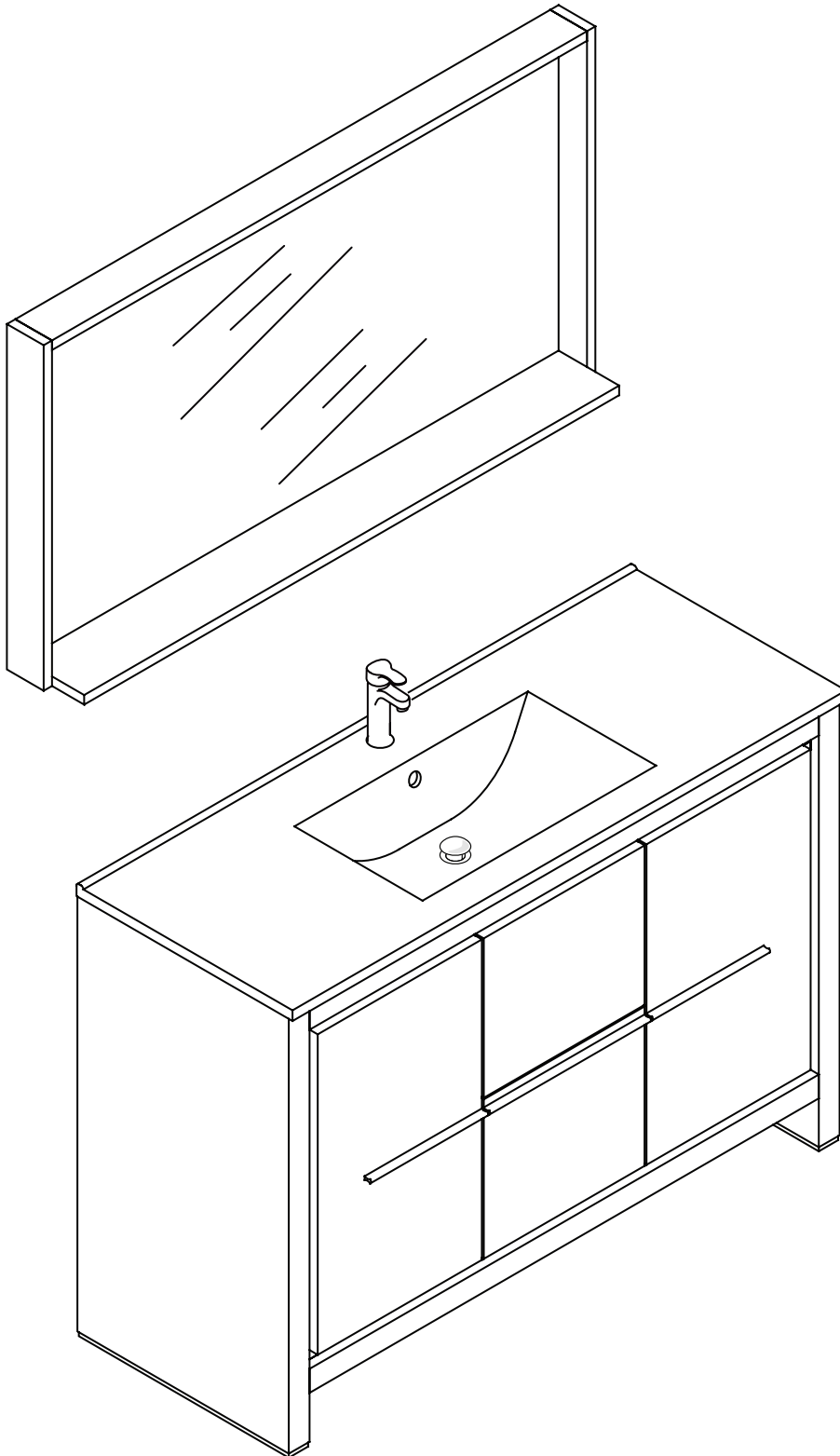


**2** Install top panel





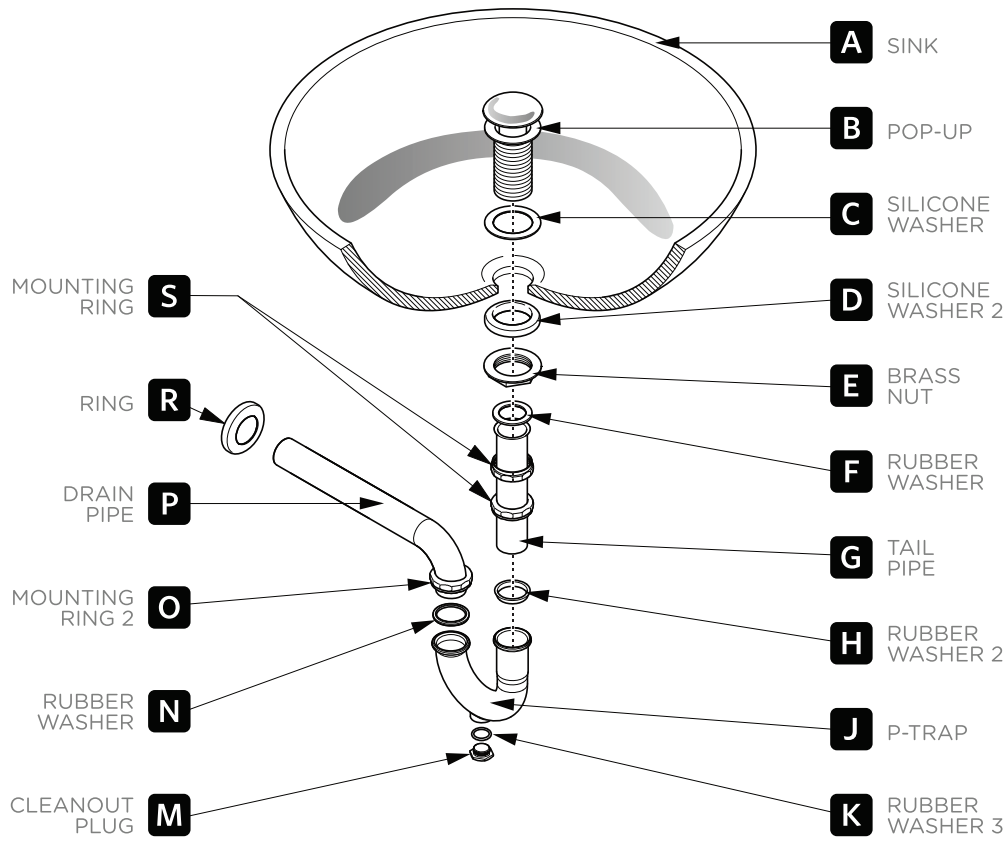
# FVN8148 ALLIER INSTALLATION GUIDE



# P-TRAP & POP-UP

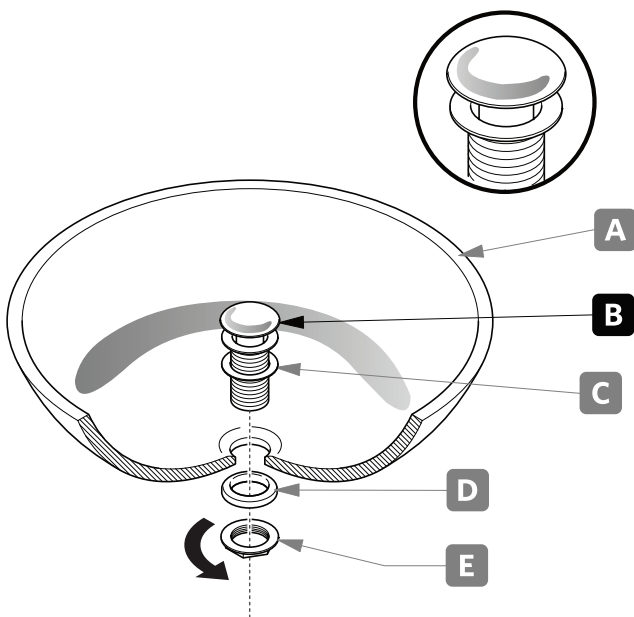
## INSTALLATION INSTRUCTIONS

Your item may appear slightly different from the illustration.



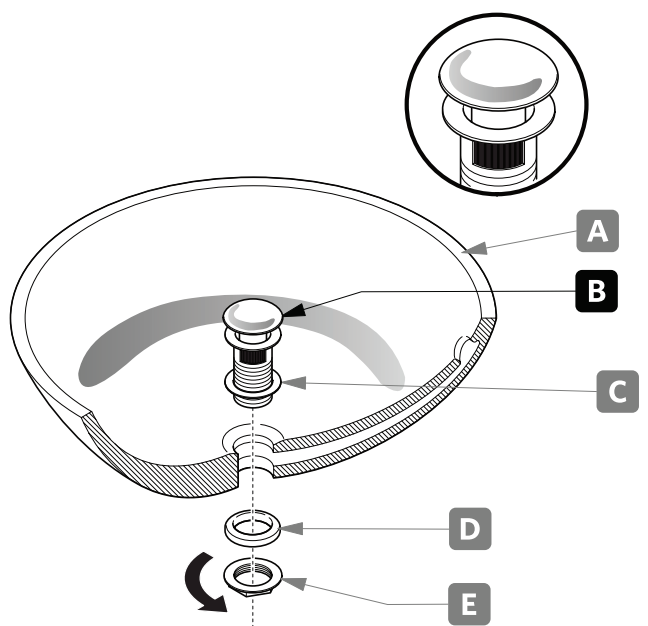
## POP-UP INSTALLATION

**FOR SINKS WITHOUT OVERFLOW**



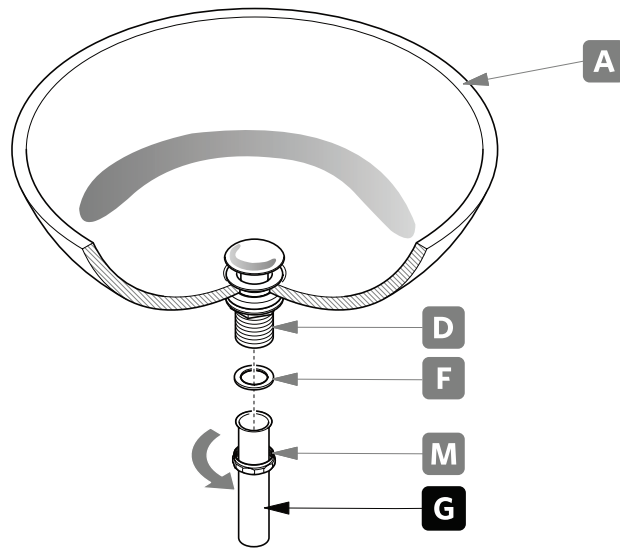
OR

**FOR SINKS WITH OVERFLOW**



# P-TRAP INSTALLATION

**1.** Install tail pipe (**G**).



**2.** Install P-trap (**J**).

