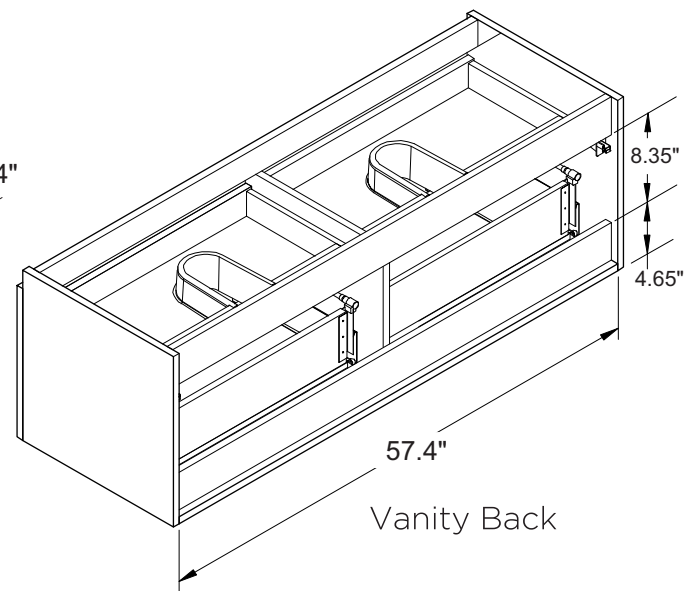
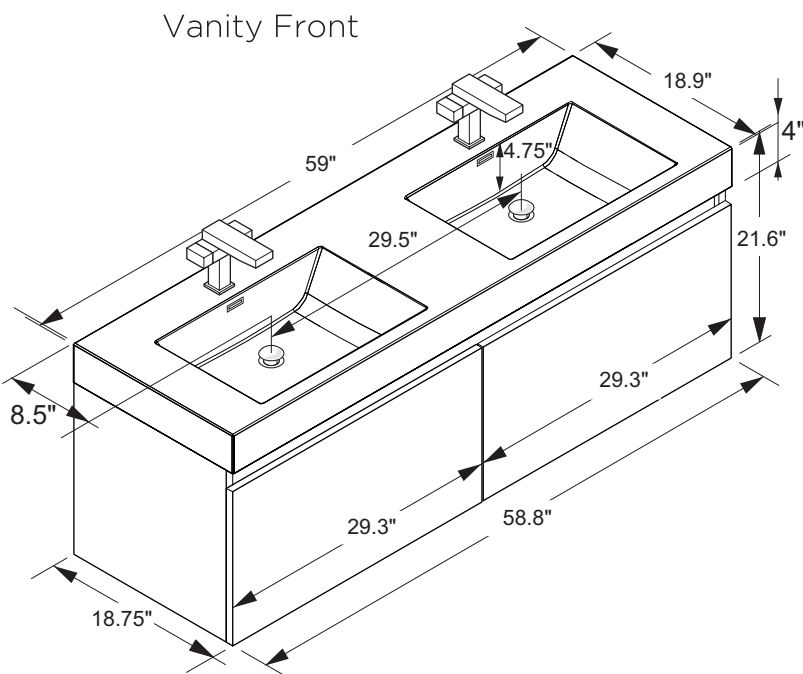
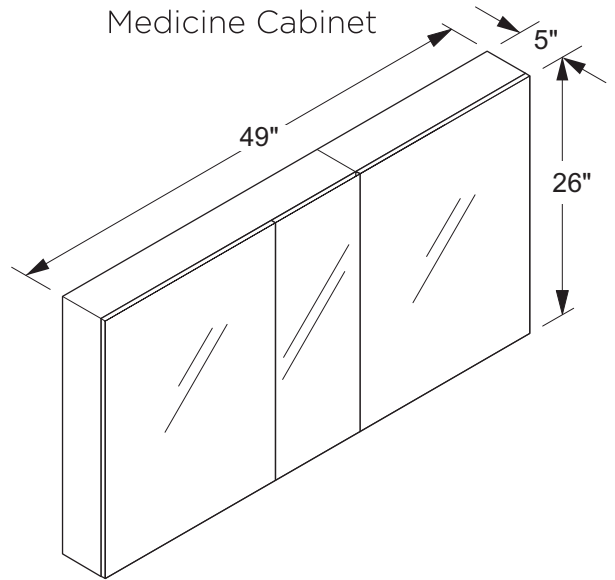
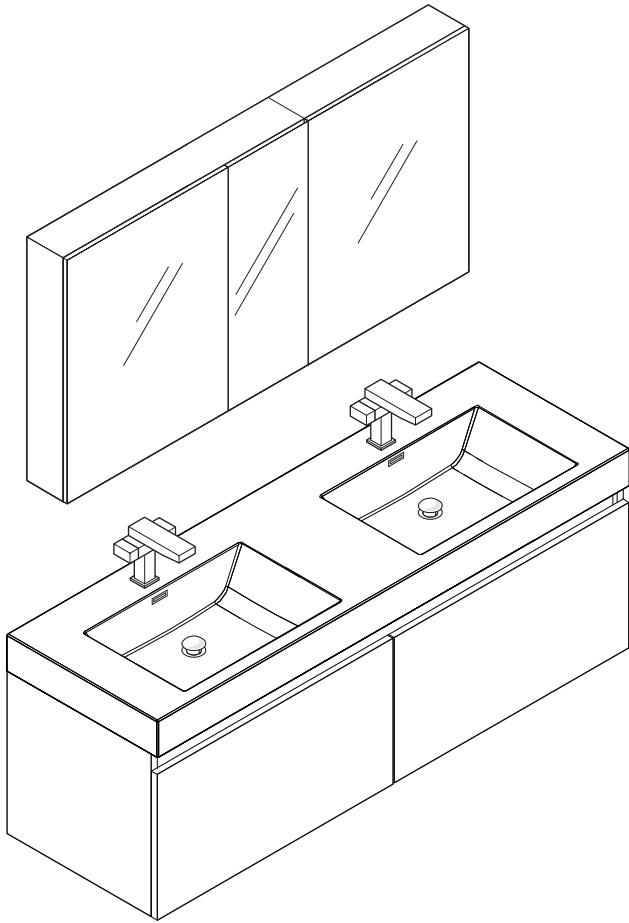
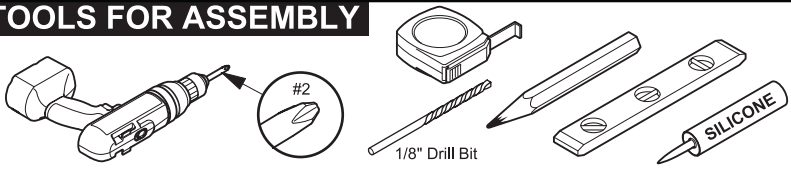


FVN8042
MEZZO
INSTALLATION GUIDE

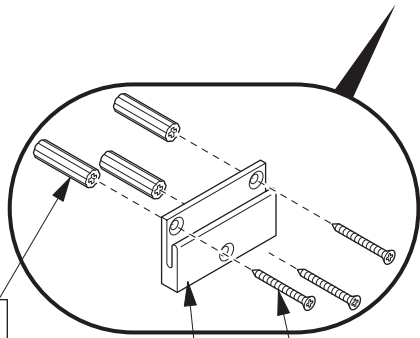
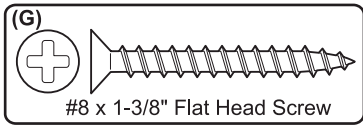
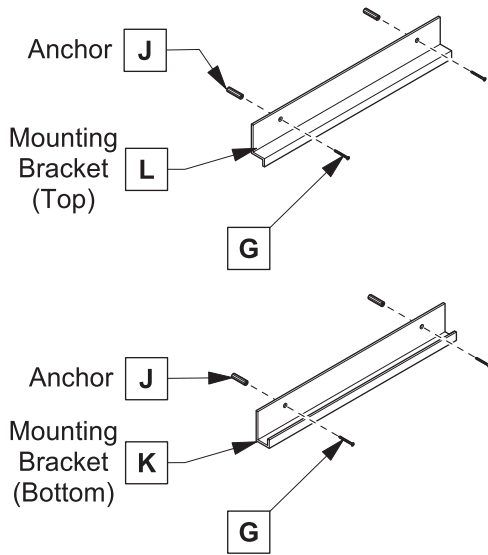


 ALL DIMENSIONS & SPECIFICATIONS ARE APPROXIMATE AND SUBJECT TO CHANGE WITHOUT NOTICE.

TOOLS FOR ASSEMBLY

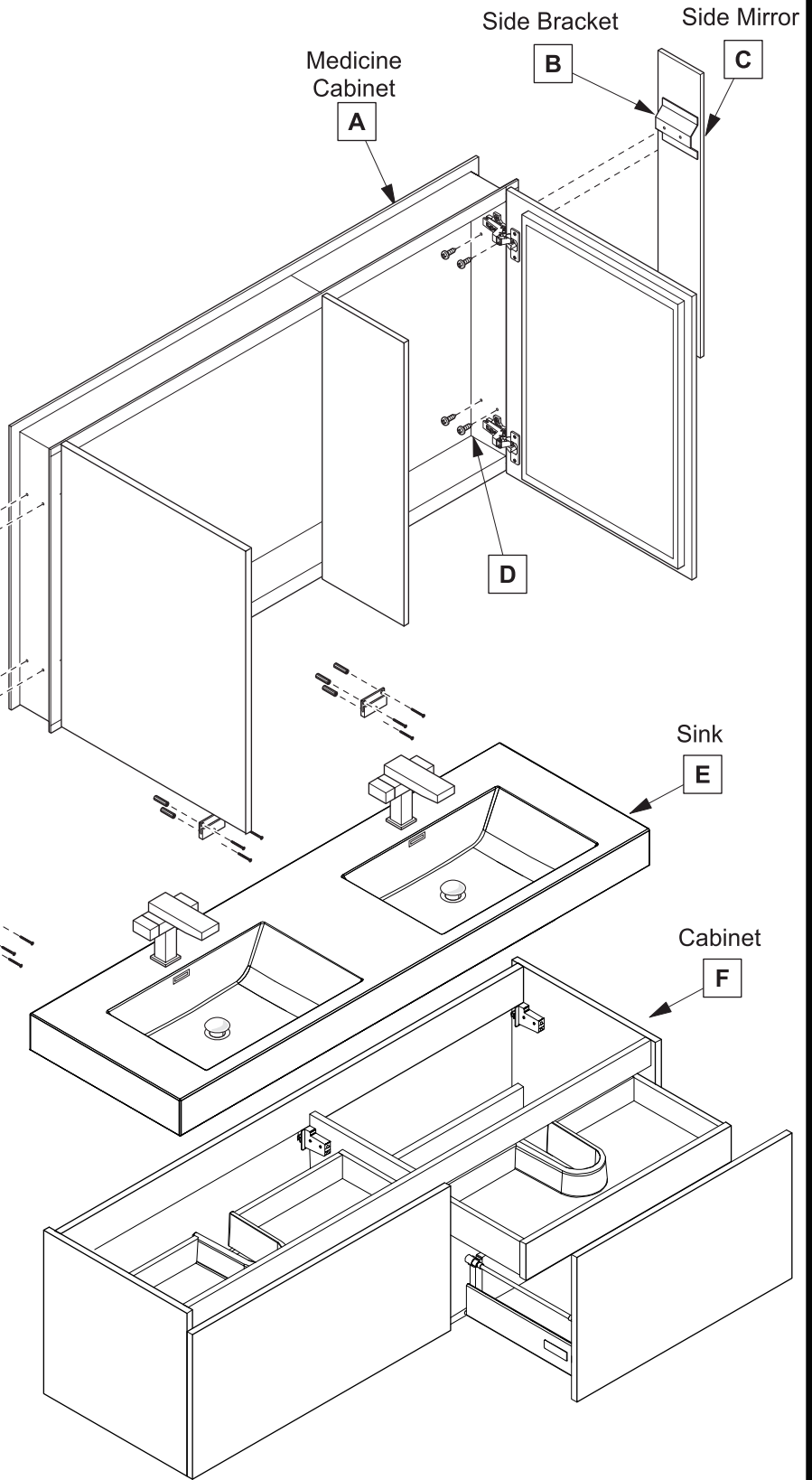


PARTS



Anchor **J**
NOTE: Only use anchors (**J**) if stud is not available.

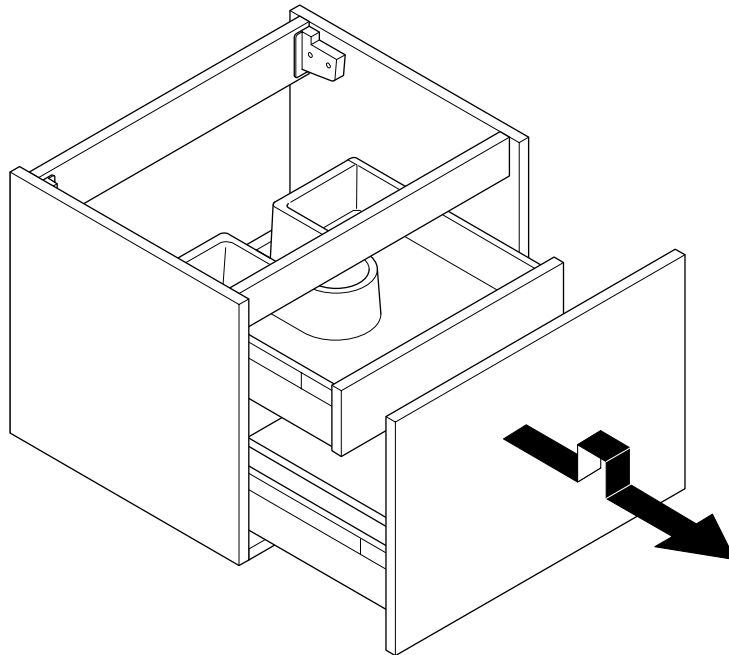
Wall Bracket **H**



1**DRAWER REMOVAL & INSTALLATION**

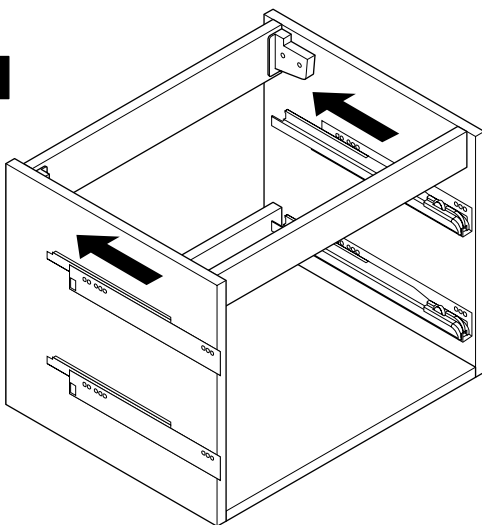
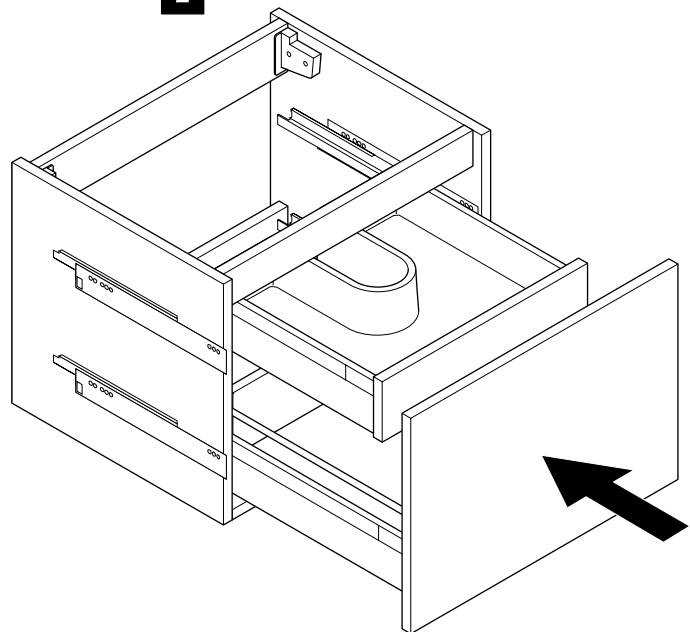
To remove drawer:

1. Pull the drawer open until the guides are fully extended.
2. Tilt drawer up and simultaneously pull the drawer out.

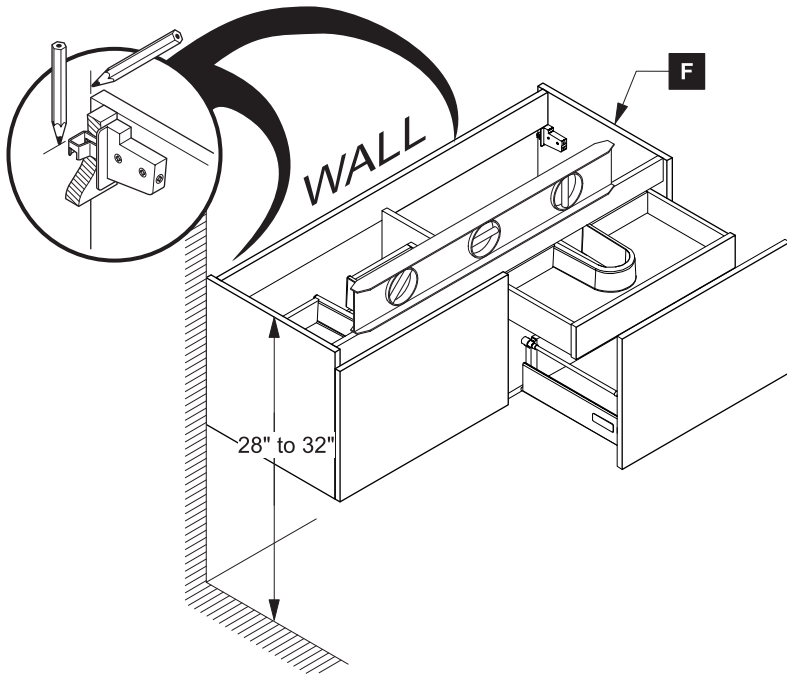
**2**

To instal drawer:

1. Line up drawer bottom with the glides on the right and left side.
2. Place the drawer on the glides and gently push into closed position.

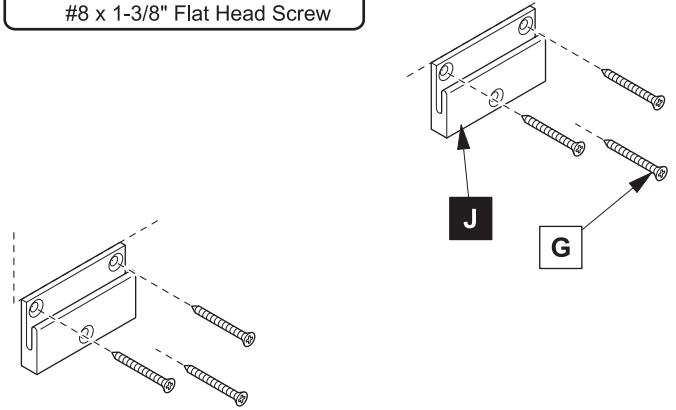
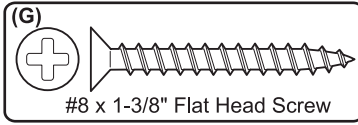
1**2**

1 Locate cabinet (F) & mark location on the wall

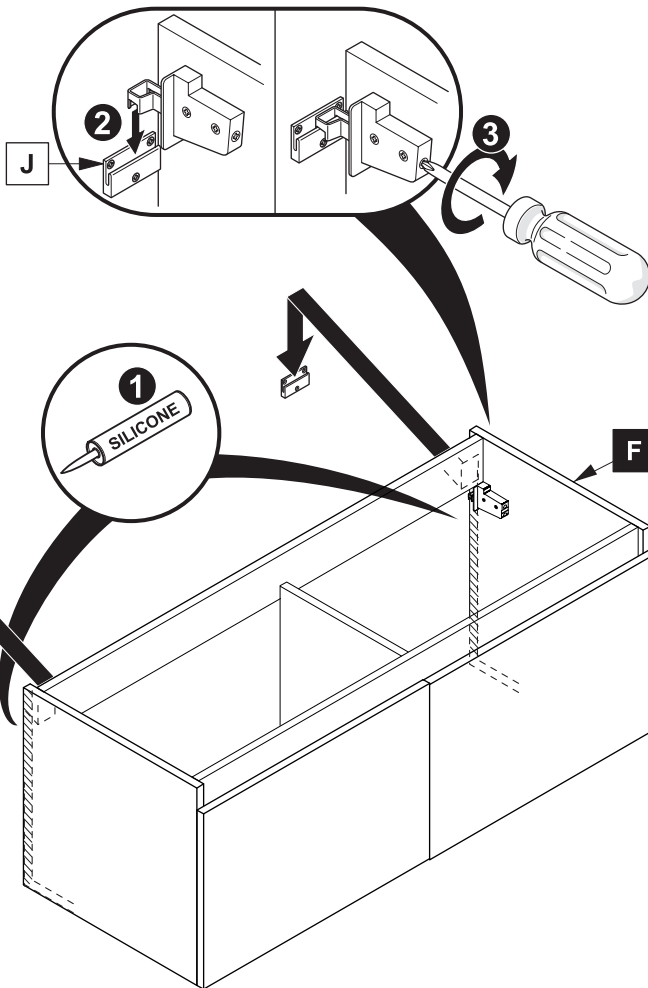


2 Install wall brackets (J)

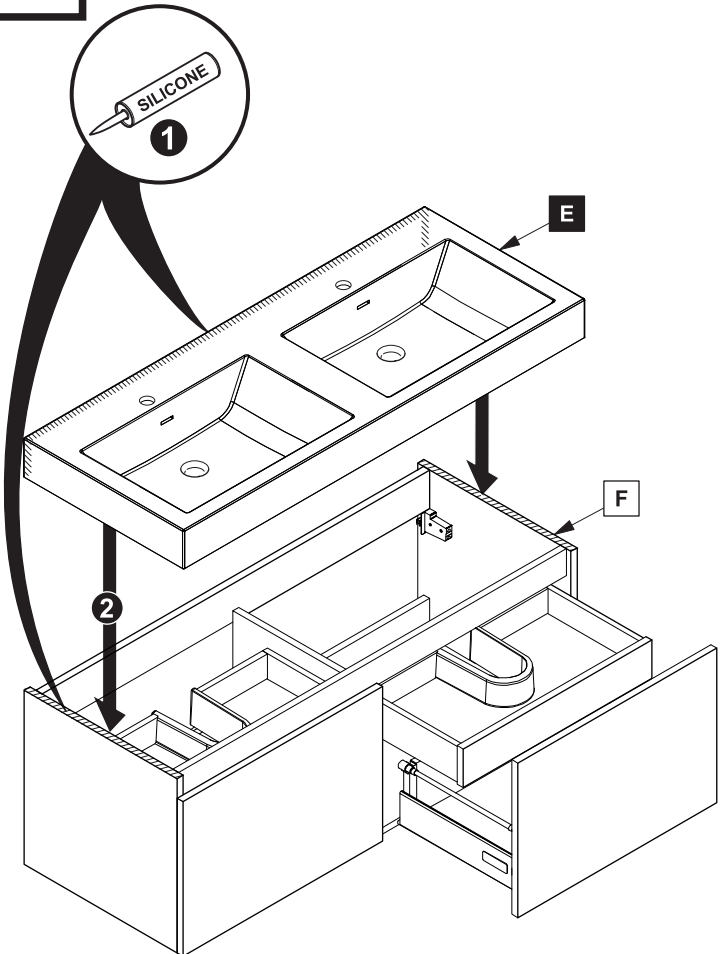
IMPORTANT: Consult an expert for the proper screws / bolts to use when attaching to various wall constructions. Screws provided *do not* attach to all wall construction types.



3



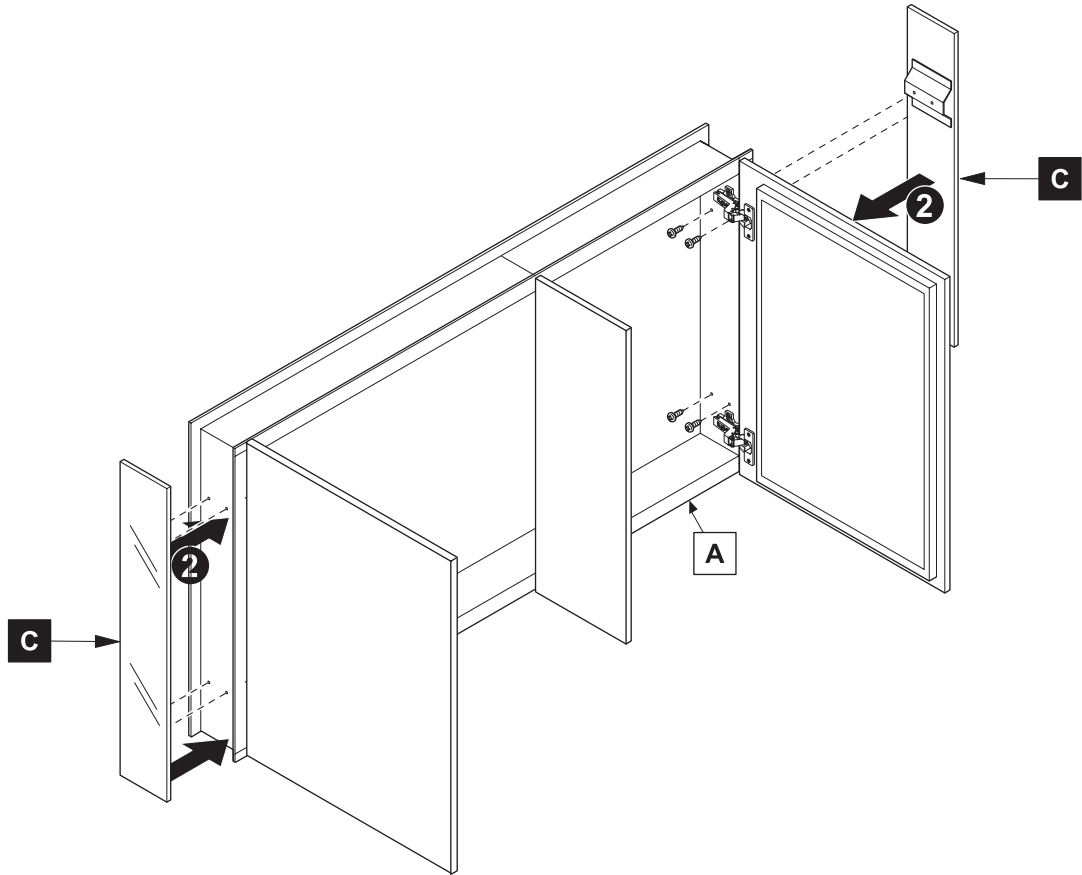
4 Apply silicone and install sink (E)



MEDICINE CABINET INSTALLATION

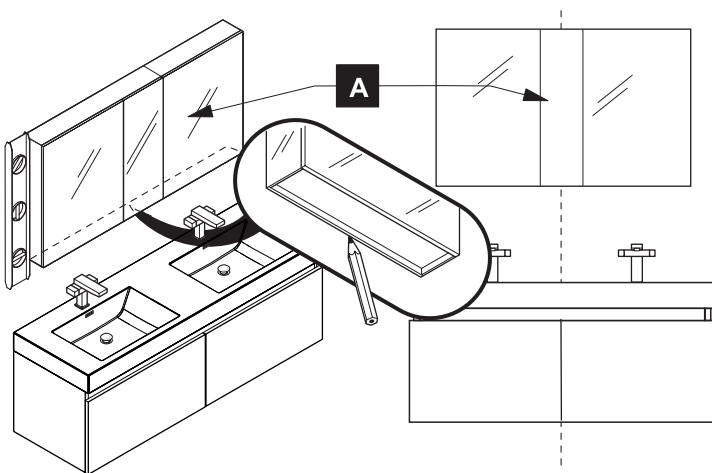
1

Install side mirrors (C)



2

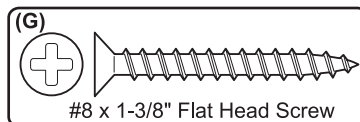
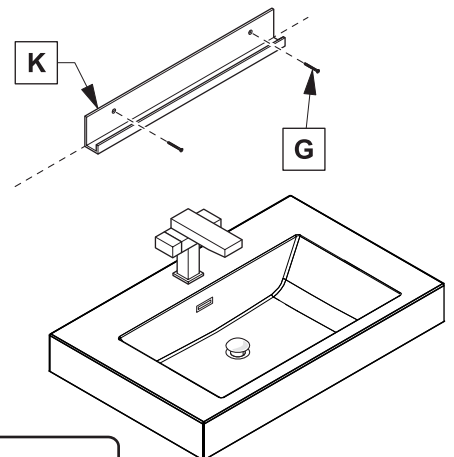
Mark cabinet (A) location



3

Install bottom bracket (K)

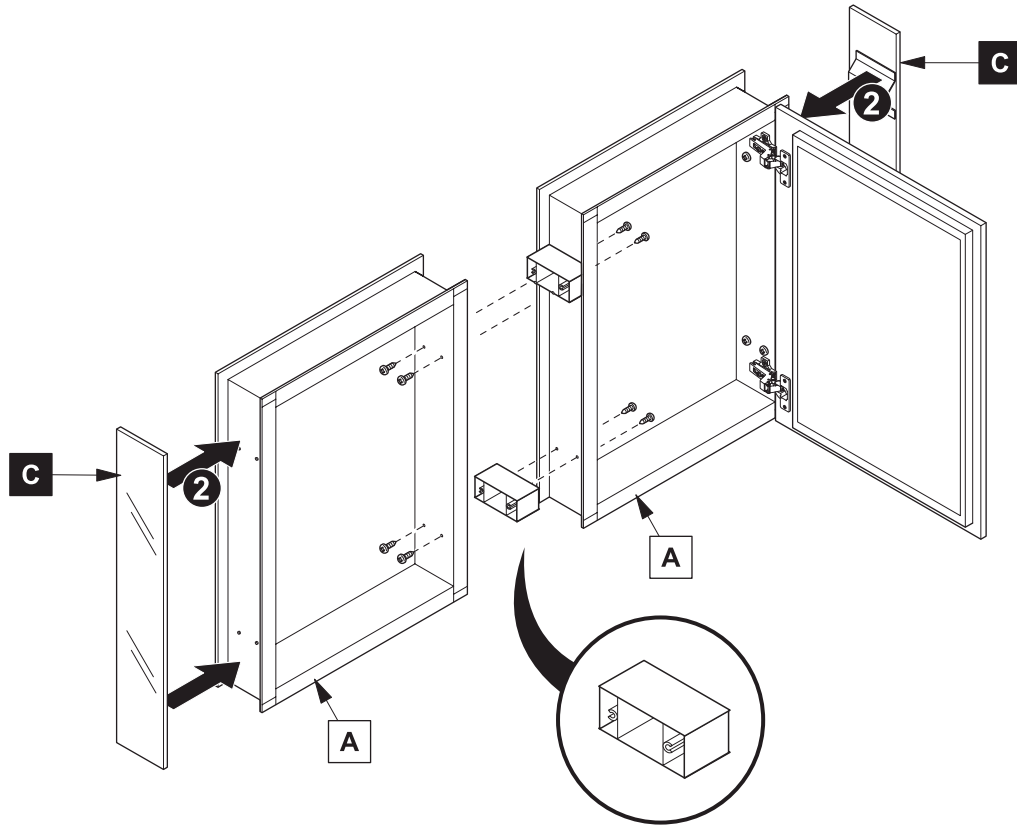
IMPORTANT: Consult an expert for the proper screws/bolts to use when attaching to various wall constructions. Screws provided do not attach to all wall construction types.



MEDICINE CABINET INSTALLATION

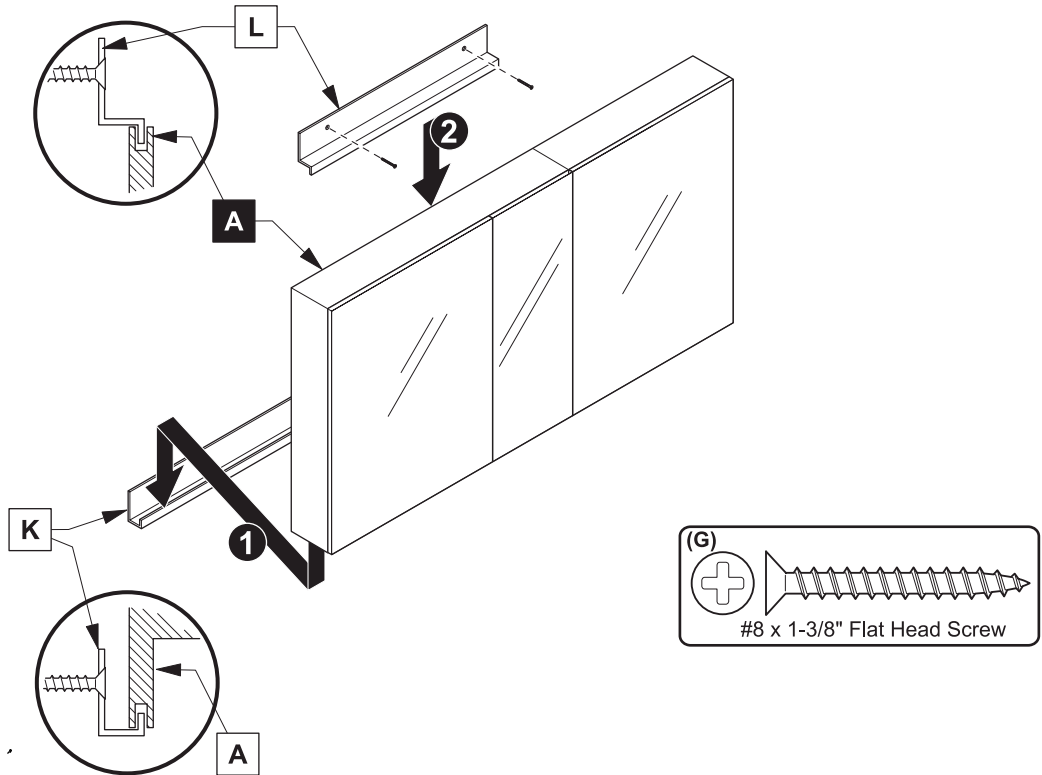
4

Joining of medicine cabinets.



5

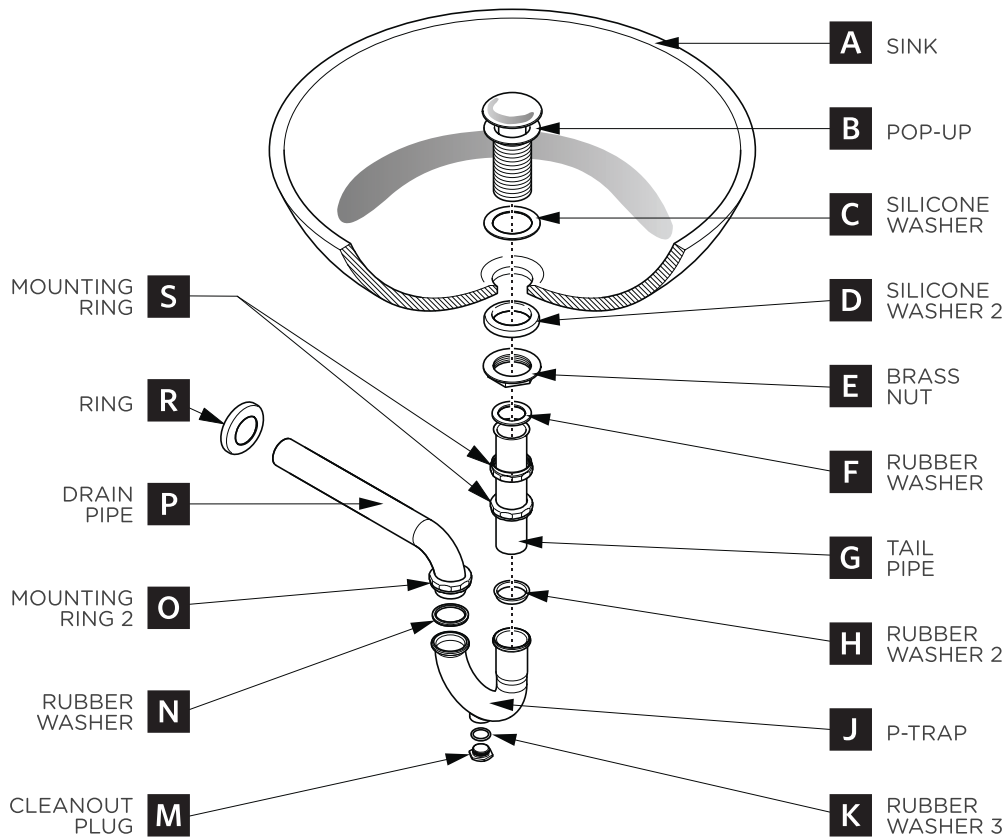
Install cabinet (A) and top bracket (L)



P-TRAP & POP-UP

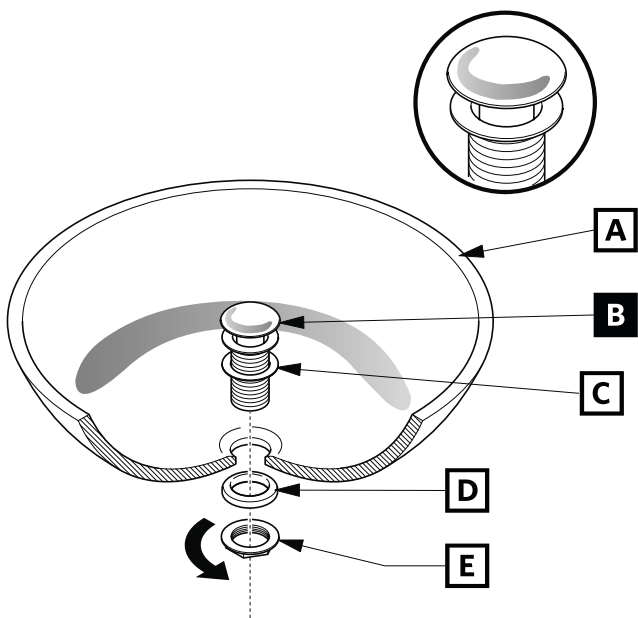
INSTALLATION INSTRUCTIONS

Your item may appear slightly different from the illustration.



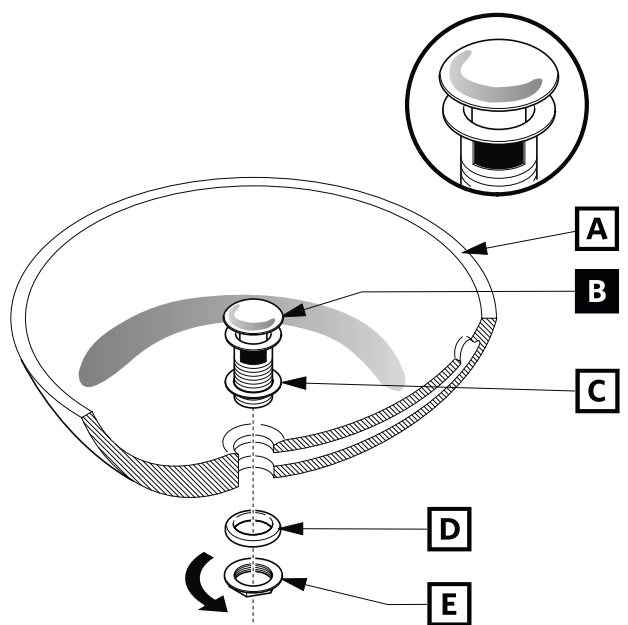
POP-UP INSTALLATION

FOR SINKS WITHOUT OVERFLOW



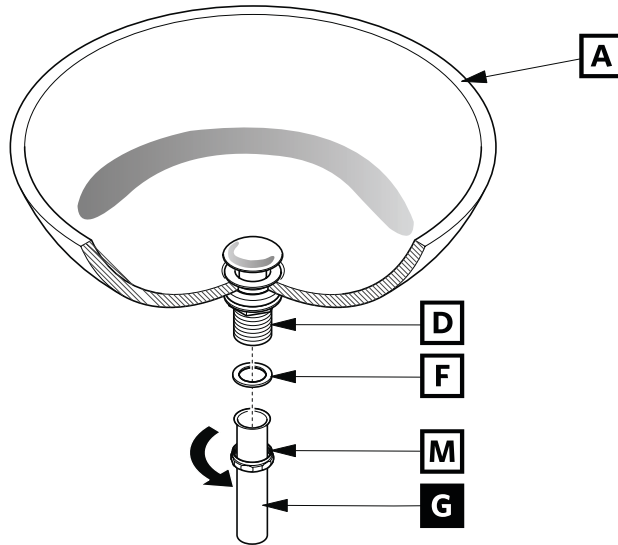
OR

FOR SINKS WITH OVERFLOW



P-TRAP INSTALLATION

1. Install tail pipe (G)



2. Install P-trap (J)

