



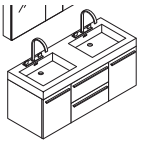
**FVN8013**

# OPULENTO

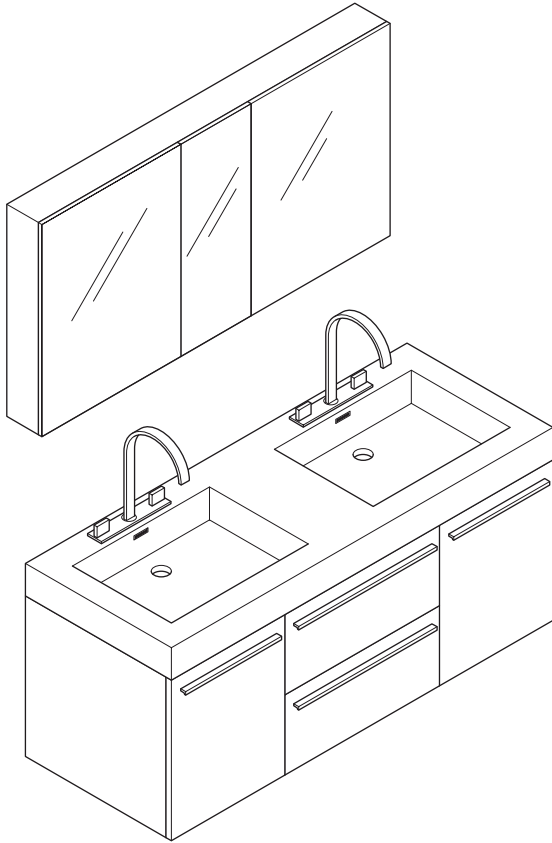
## INSTALLATION GUIDE

### CONTENTS:

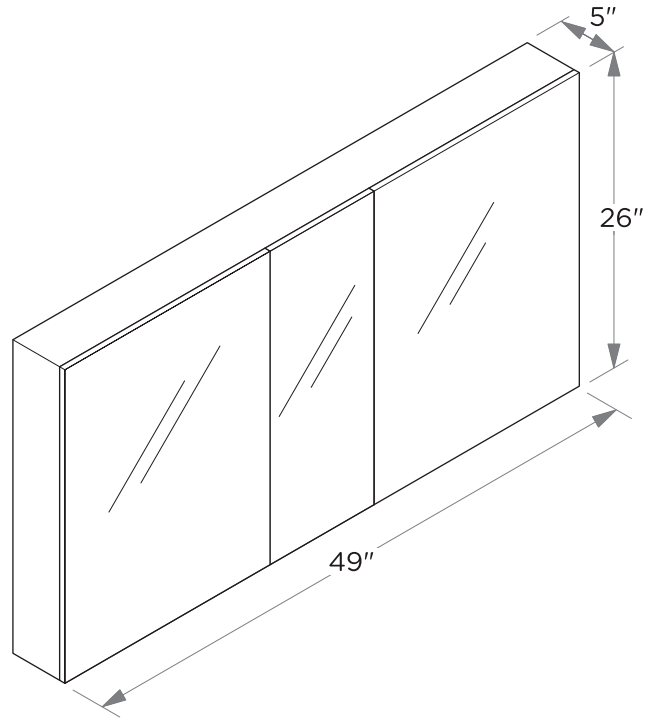
Cabinet.....(FCB8013).....	PAGE <b>3</b>
Sink.....(FVS8013).....	PAGE <b>4</b>
Med. Cabinet.....(FMC8013).....	PAGE <b>5</b>



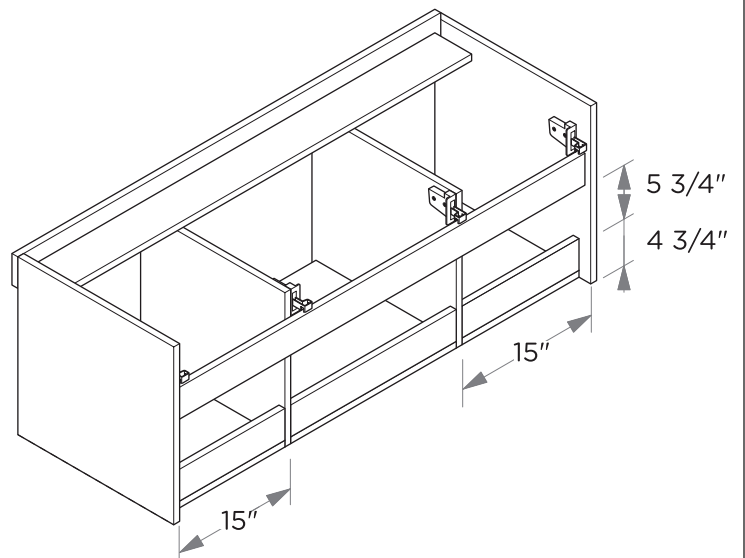
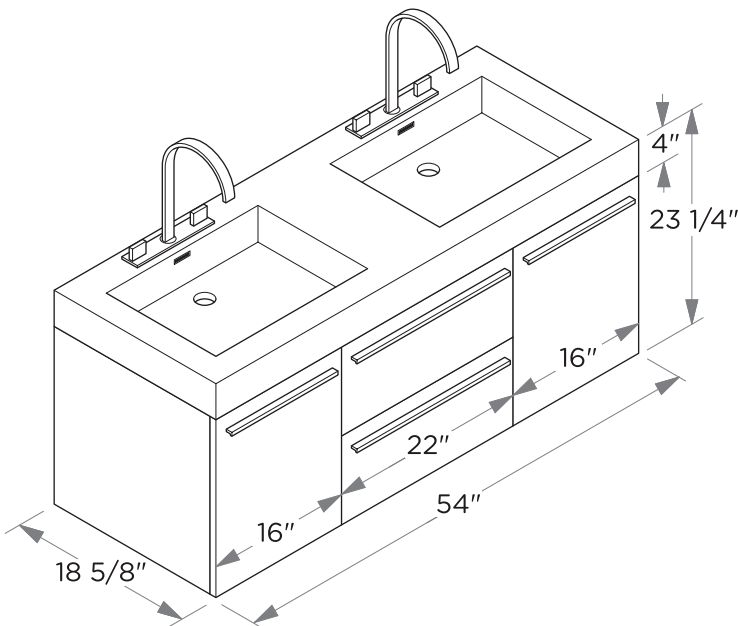
# FVN8013 OPULENTO INSTALLATION GUIDE



**VANITY ENSEMBLE**  
front view



**MEDICINE CABINET**  
front view

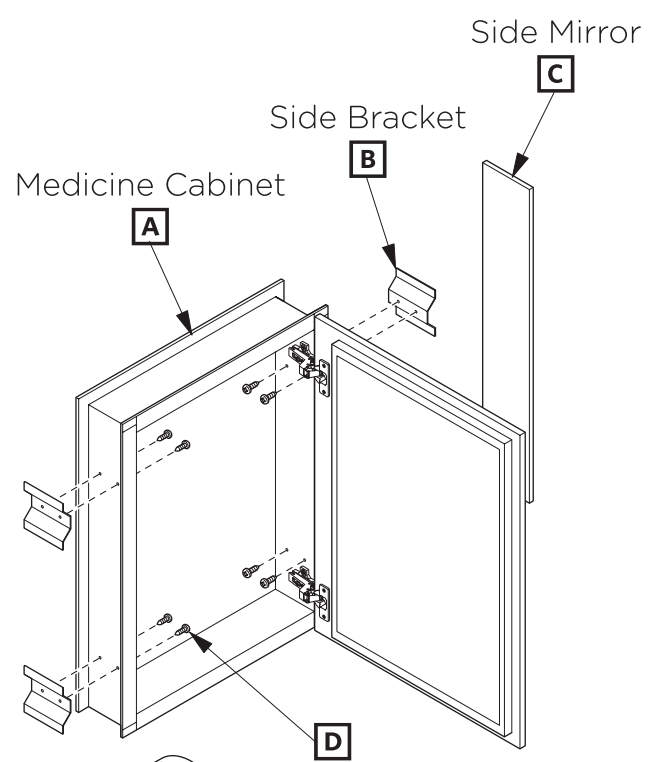
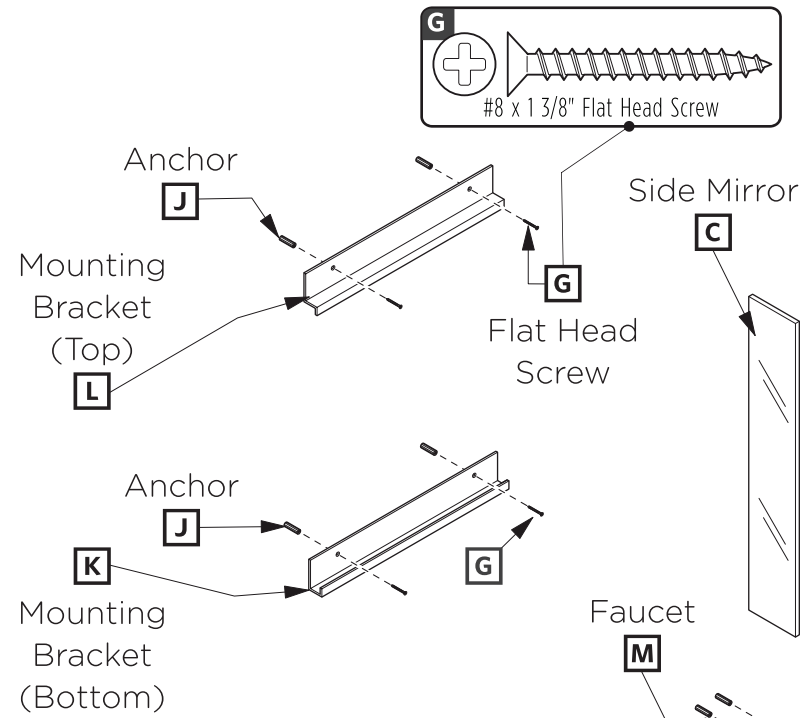


**NOTE:** ALL DIMENSIONS & SPECIFICATIONS ARE APPROXIMATE AND SUBJECT TO CHANGE WITHOUT NOTICE.

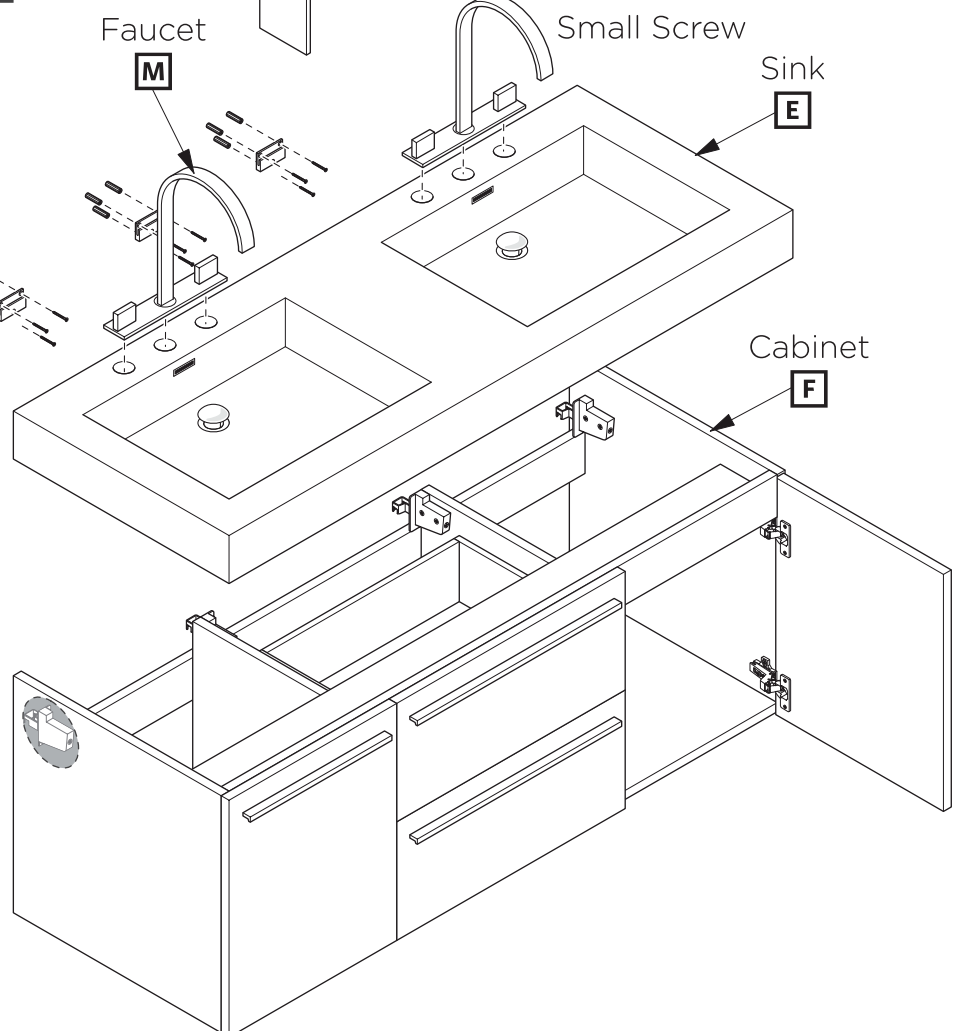
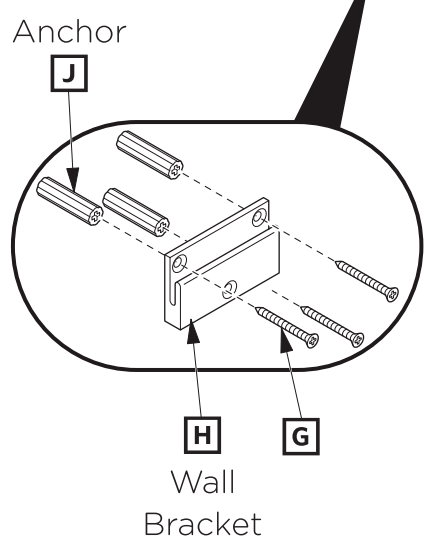
**TOOLS FOR ASSEMBLY**



**PARTS**



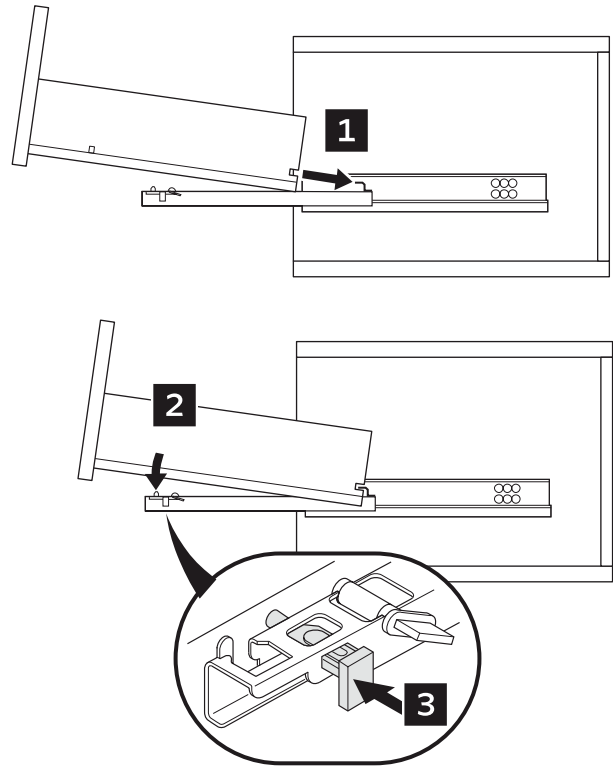
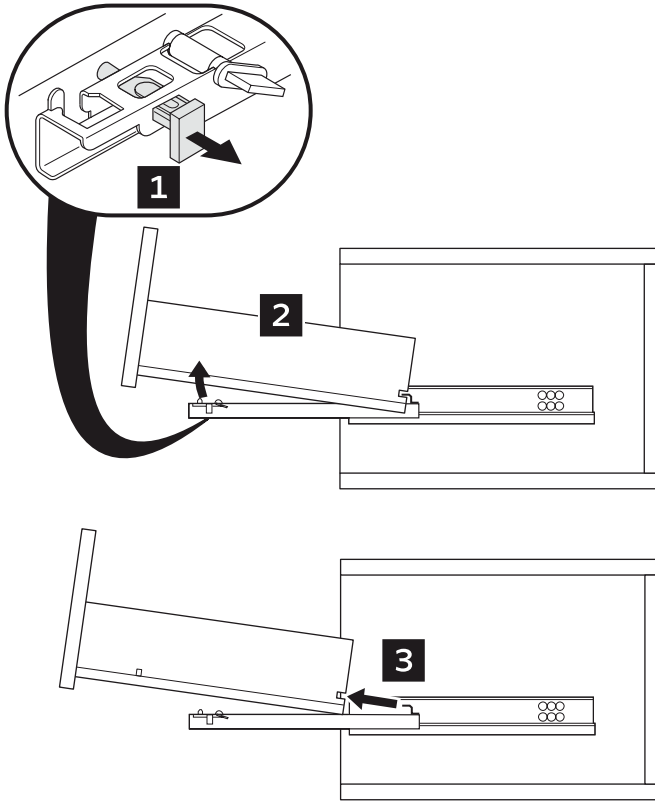
**Note:** Only use anchors (**J**) if stud (2"x4" frame) is not available.



# DRAWER REMOVAL & INSTALLATION

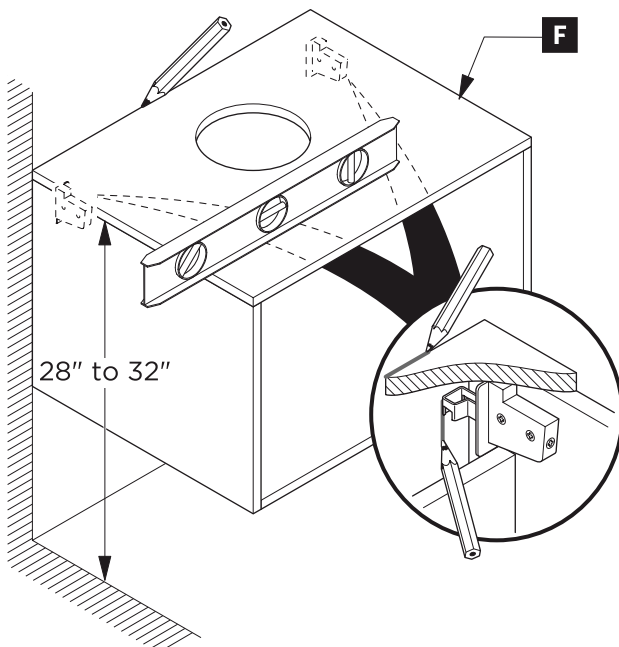
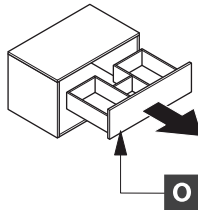
## REMOVAL

## INSTALLATION

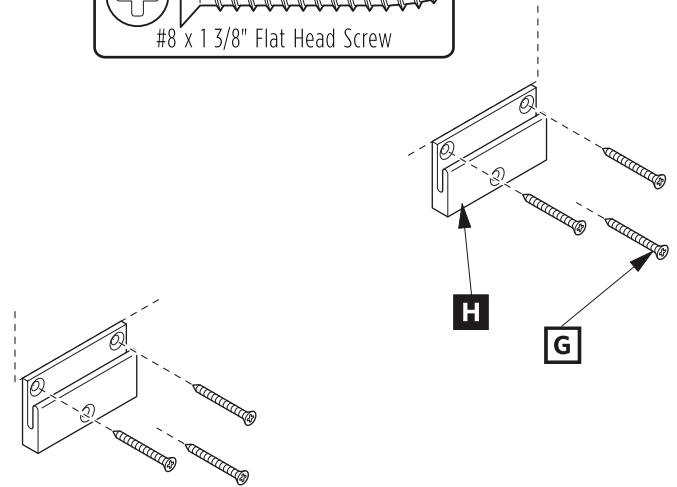
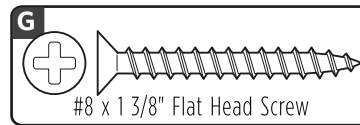


**1** Remove a drawer (O).

**2** Locate a cabinet (F) & mark location.

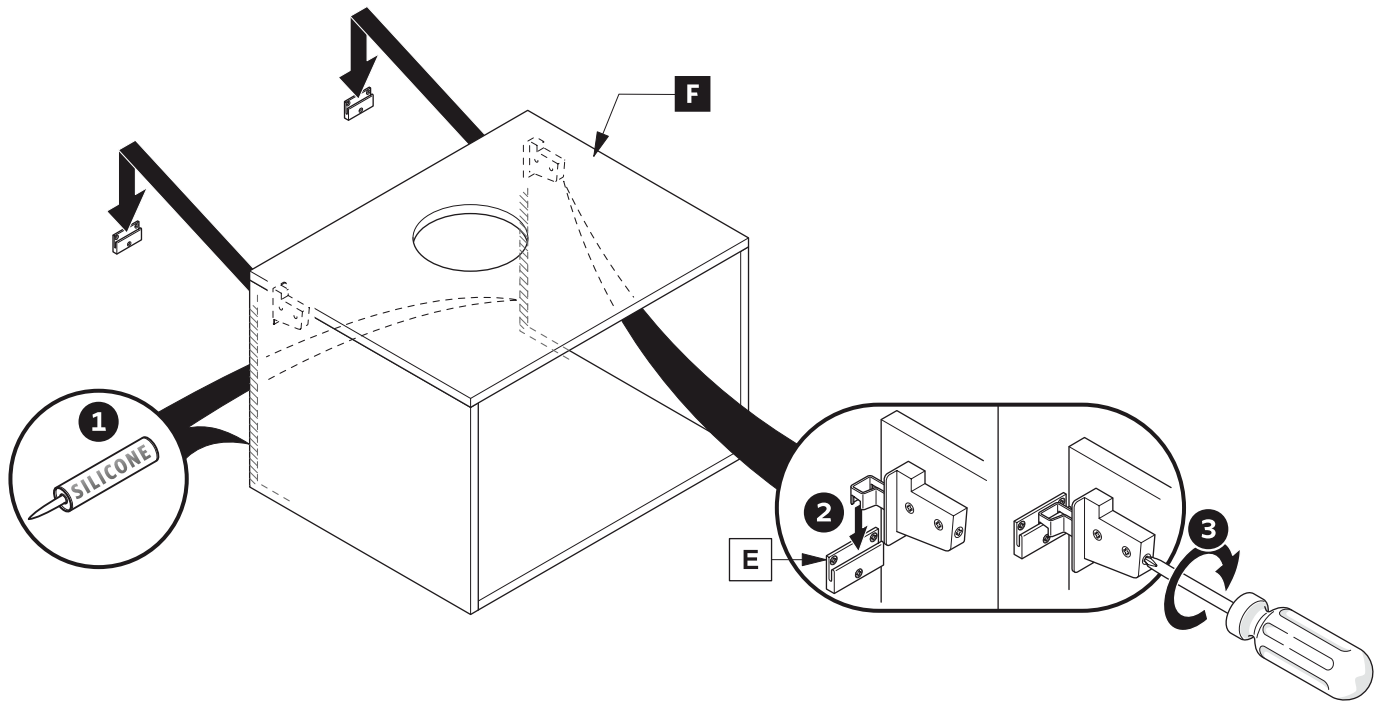


**3** Install wall brackets (H).

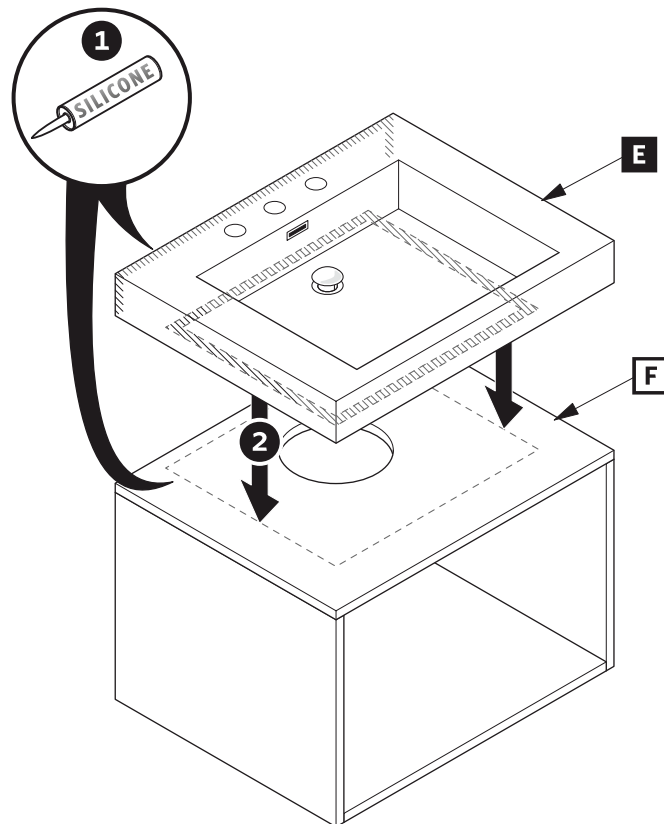


**NOTE:** Consult an expert for the proper screws/bolts to use when attaching to various constructions. Screws provided **do not** attach to all wall construction types.

**4** Apply silicone and install a cabinet (F).



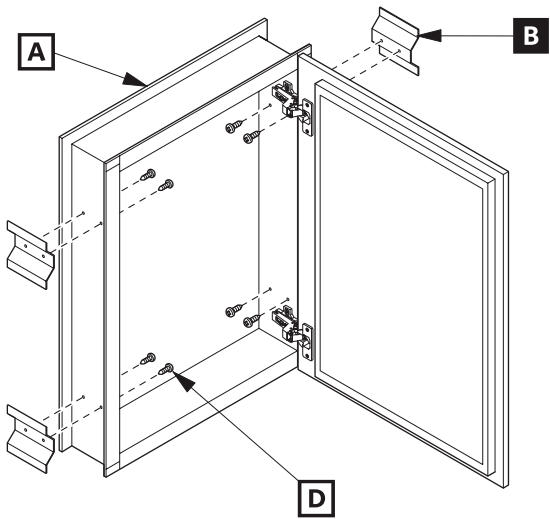
**5** Apply silicone and place a sink (E) on the cabinet (F).



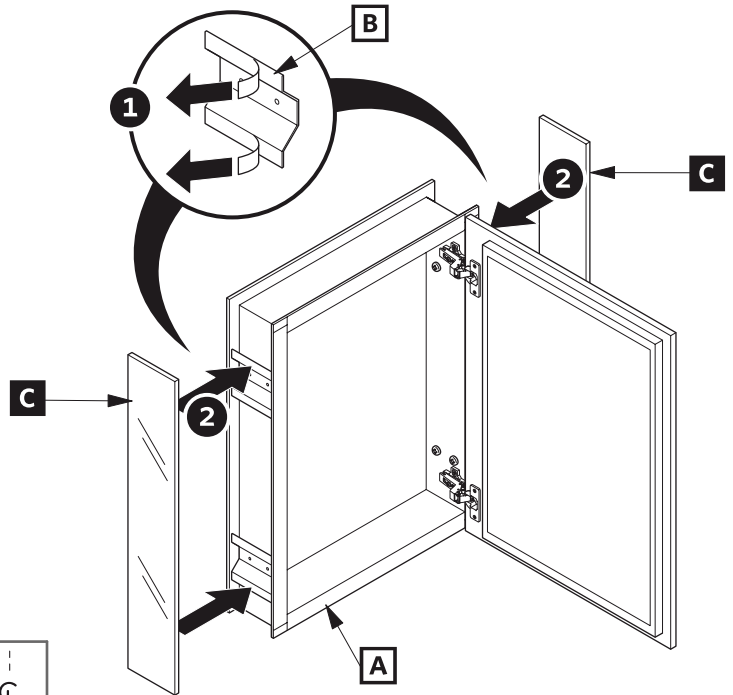
# MEDICINE CABINET INSTALLATION

## 1 Install side brackets (B).

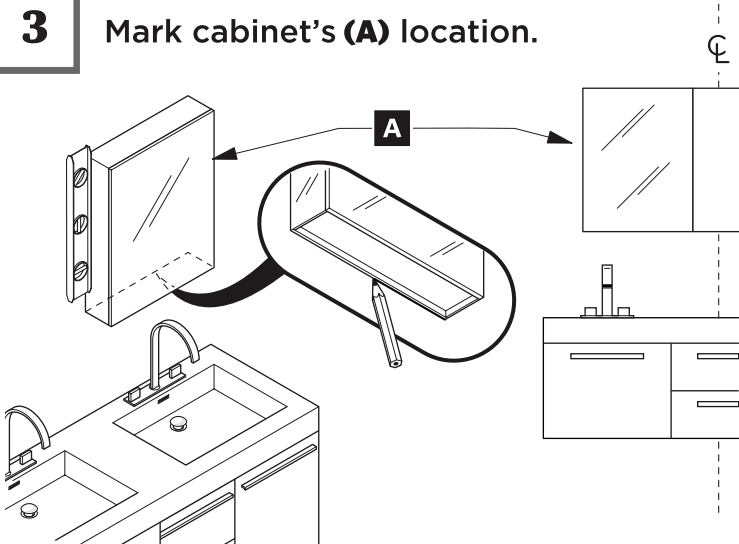
**NOTE:** Skip *STEP 1* and *STEP 2.1* if brackets (B) already attached to side mirrors (C).



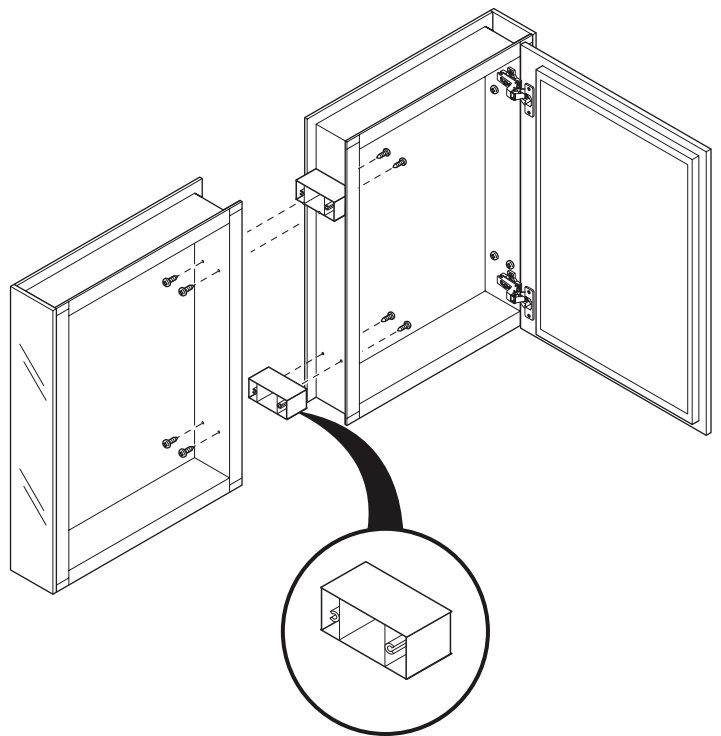
## 2 Install side mirrors (C).



## 3 Mark cabinet's (A) location.

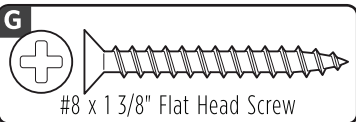
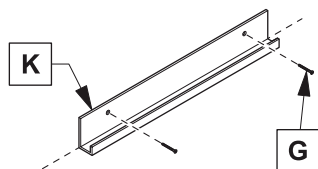


## 5 Join the cabinet's together



## 4 Attach a bottom bracket (K) to the wall.

**NOTE:** Consult an expert for the proper screws/bolts to use when attaching to various constructions. Screws provided do not attach to all wall construction types.



**FVN8013**

OPULENTO

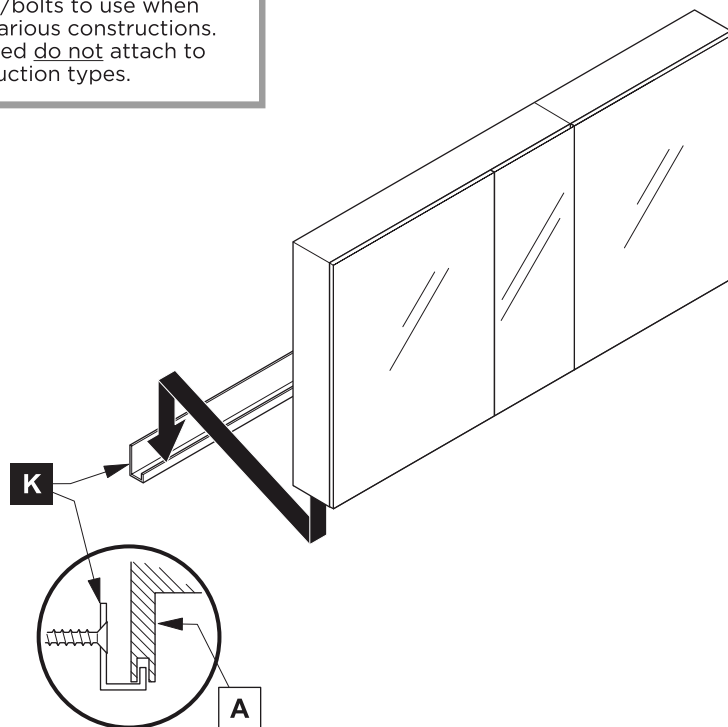
**INSTALLATION GUIDE**

PAGE 5

# MEDICINE CABINET INSTALLATION

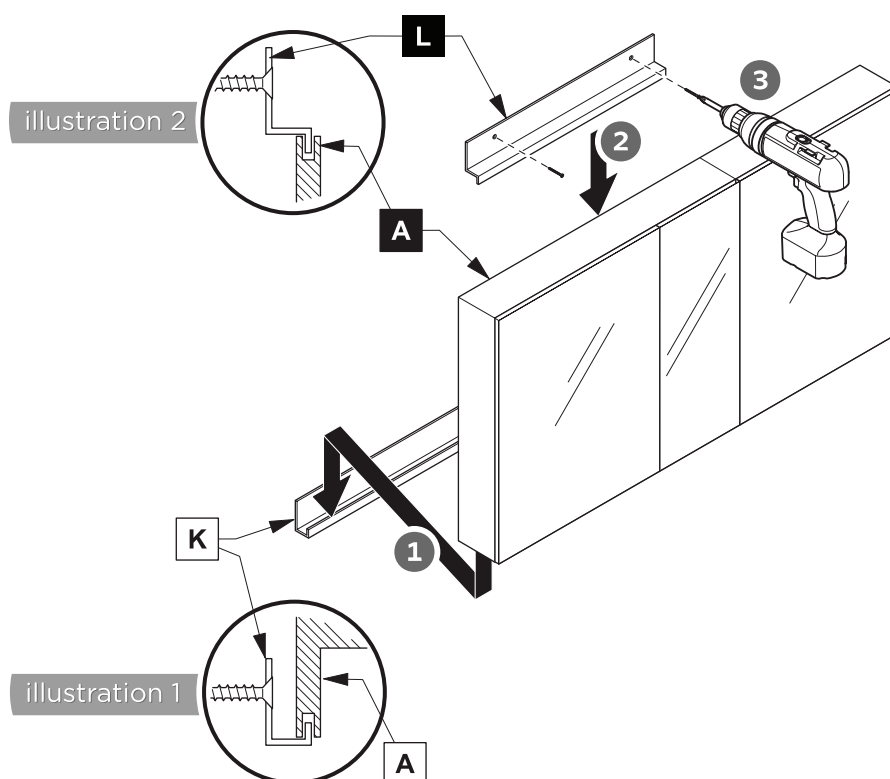
**6** Once joint, place connected cabinets (A) on the bottom bracket (K).

**NOTE:** Consult an expert for the proper screws/bolts to use when attaching to various constructions. Screws provided do not attach to all wall construction types.



**NOTE:** This step requires assistance to hold cabinet in place until top bracket is securely attached.

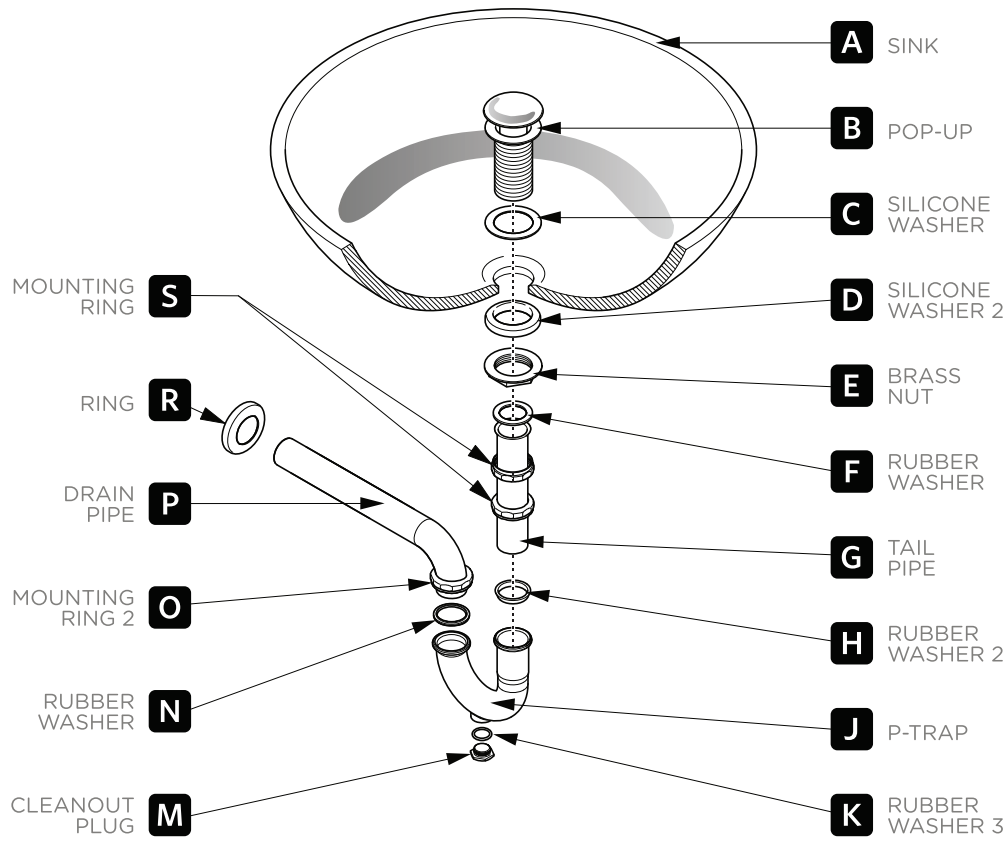
**7** Place cabinets (A) on the bottom bracket (K) (See illustration #1) then attach a top bracket (L) with screws to the wall (See illustration #2).



**NOTE:** This step requires assistance to hold cabinet in place until top bracket is securely attached.

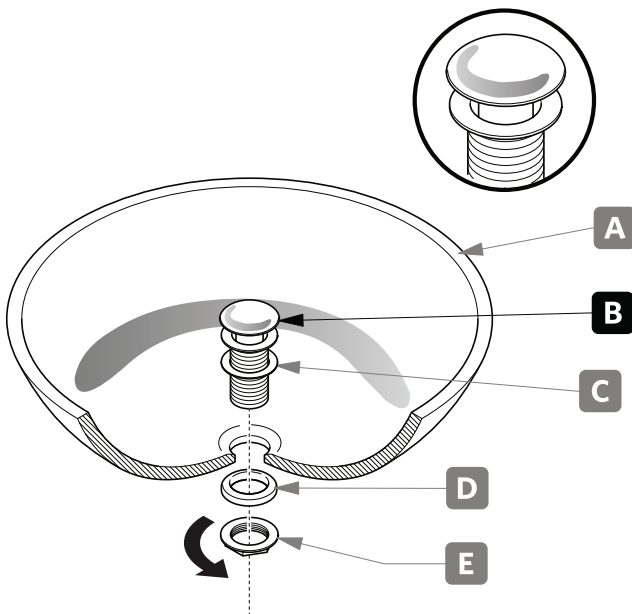
# P-TRAP & POP-UP INSTALLATION INSTRUCTIONS

Your item may appear slightly different from the illustration.



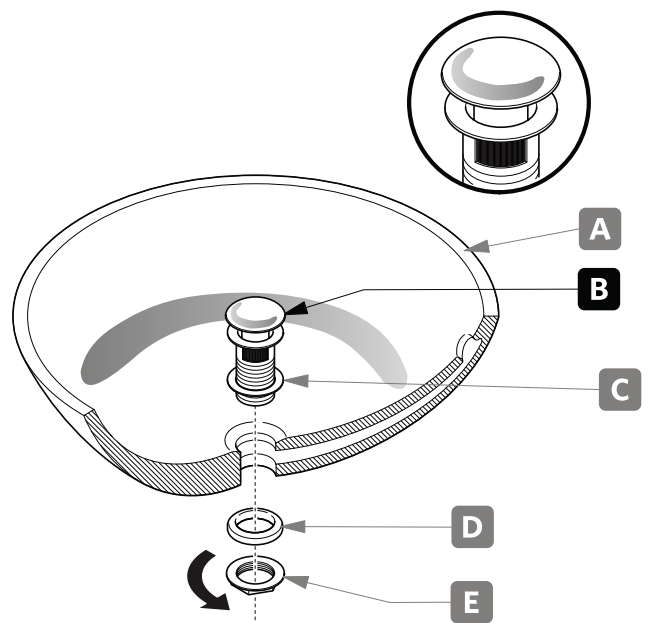
## POP-UP INSTALLATION

**FOR SINKS  
WITHOUT OVERFLOW**



OR

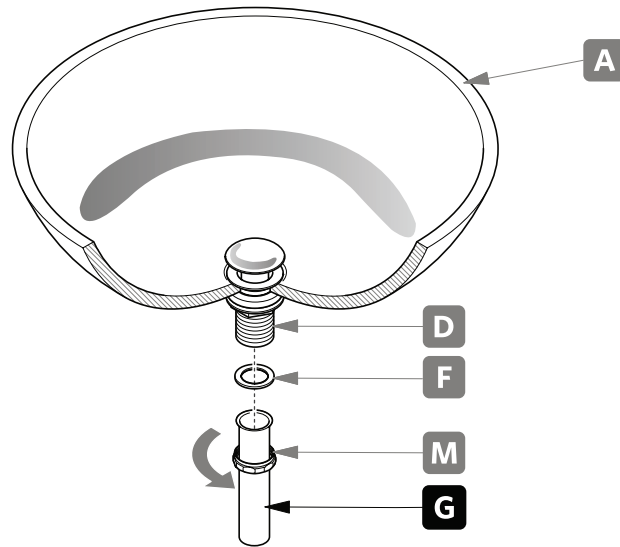
**FOR SINKS  
WITH OVERFLOW**





# P-TRAP INSTALLATION

**1** Install tail pipe (G).



**2** Install P-trap (J).

