



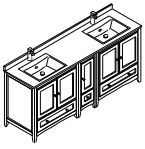
# FVN20-301230

# OXFORD

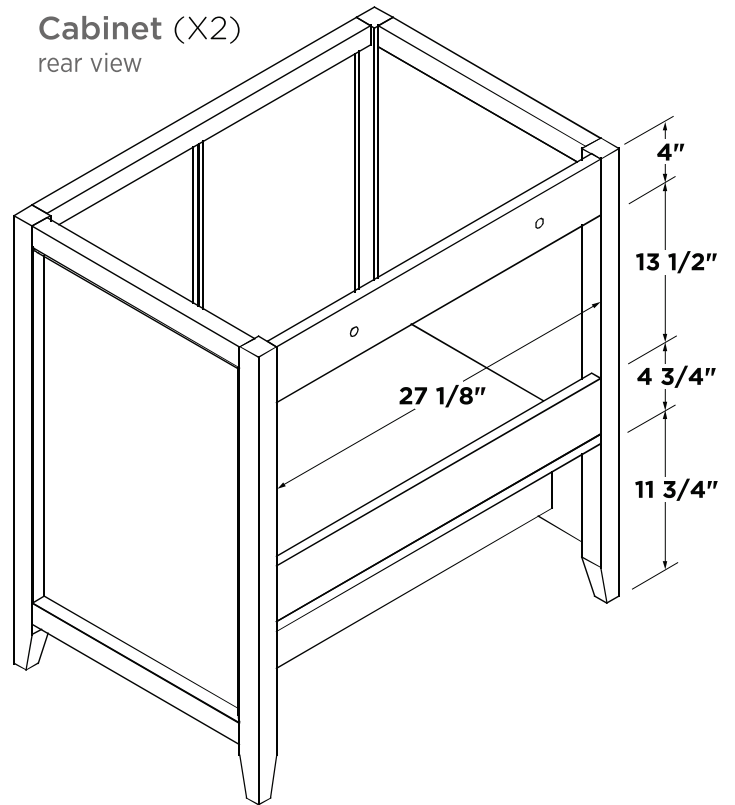
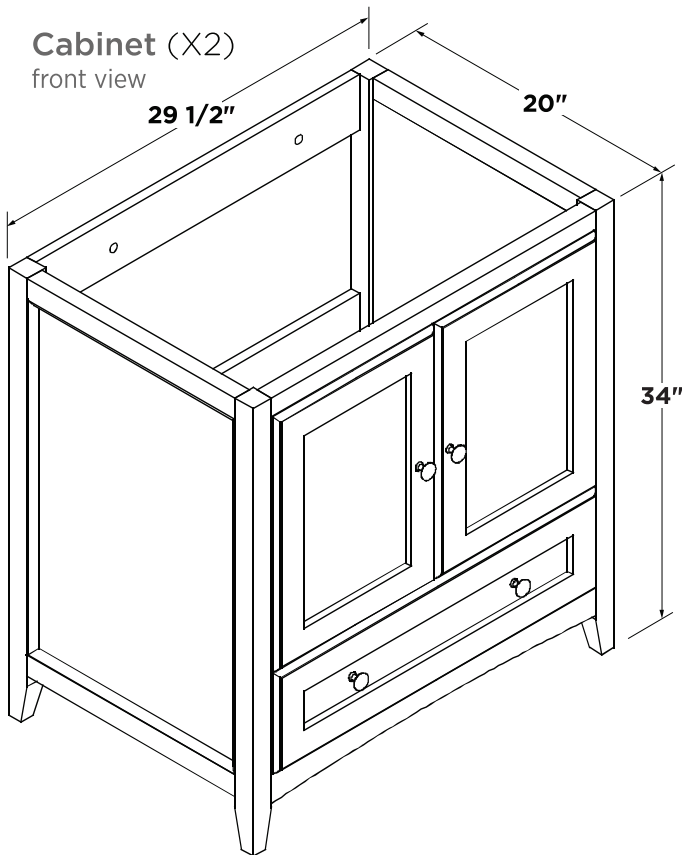
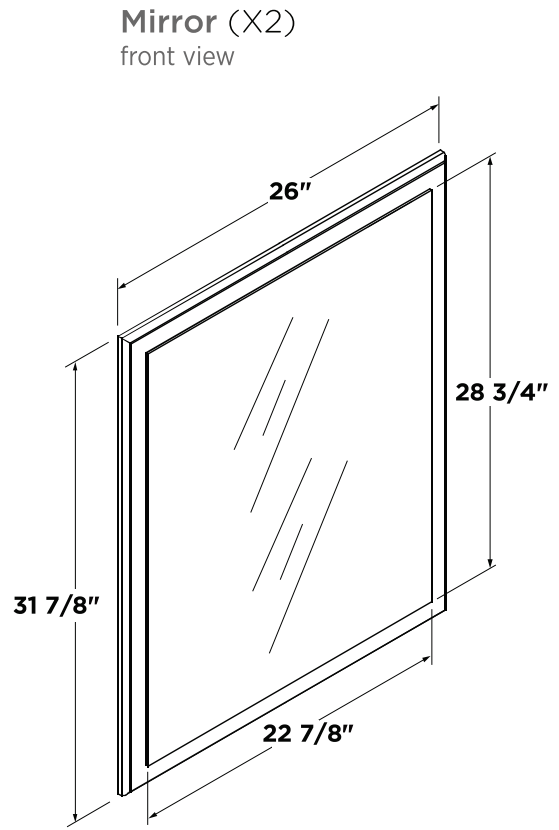
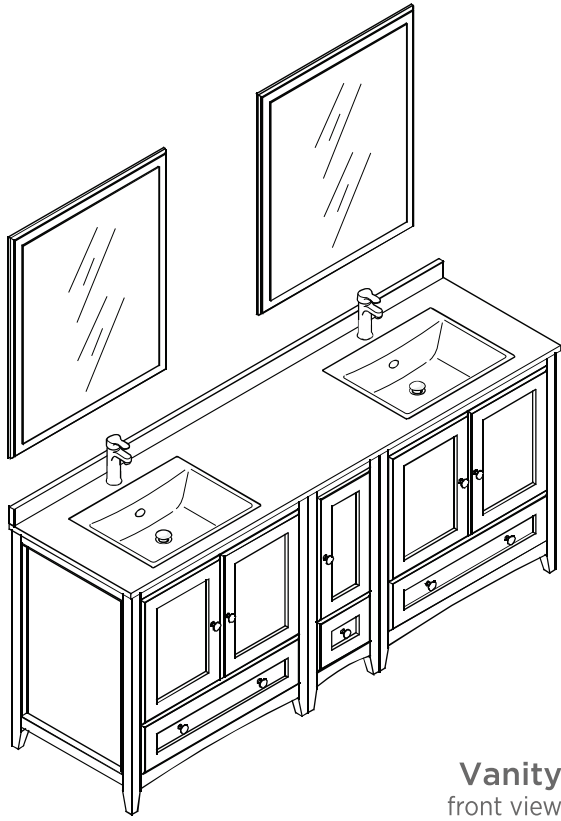
## INSTALLATION GUIDE

### CONTENTS:

|                 |                     |        |
|-----------------|---------------------|--------|
| Cabinet.....    | (FCB20-301230)..... | PAGE 4 |
| Sink.....       | (FVS2017).....      | PAGE 6 |
| Mirror.....     | (FMR2030).....      | PAGE 3 |
| Countertop..... | (FCT2072).....      | PAGE 6 |

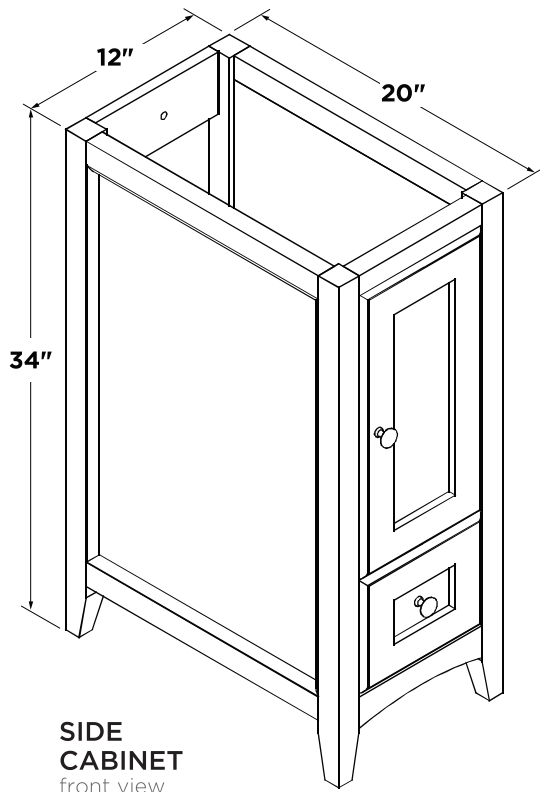


**FVN20-301230**  
**OXFORD**  
**INSTALLATION GUIDE**

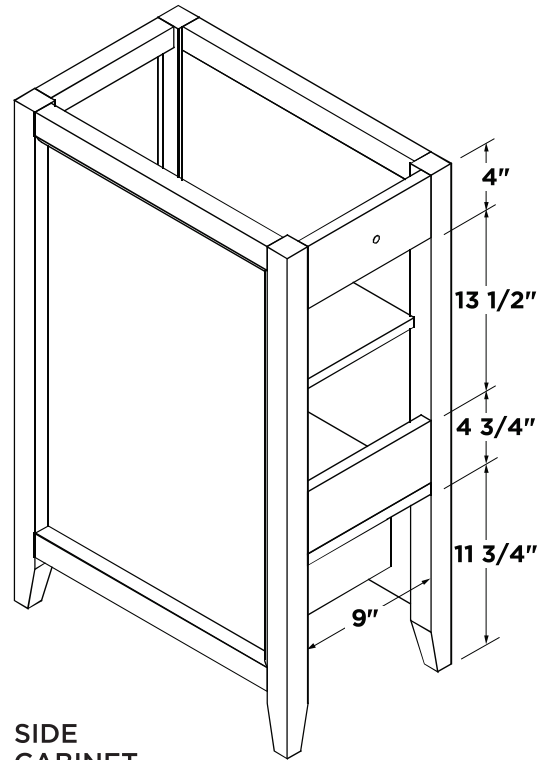


**NOTE:** ALL DIMENSIONS & SPECIFICATIONS ARE APPROXIMATE AND SUBJECT TO CHANGE WITHOUT NOTICE.

## SIDE CABINET DIMENSIONS

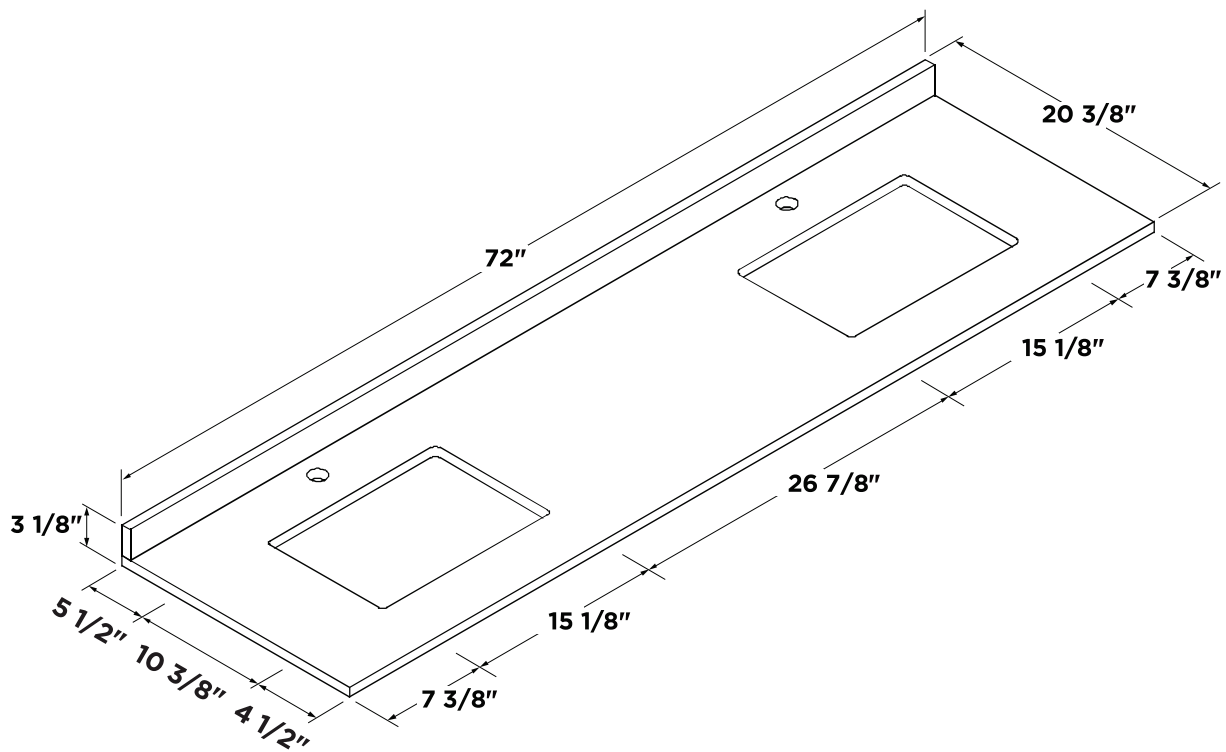


**SIDE CABINET**  
front view



**SIDE CABINET**  
back view

## COUNTERTOP DIMENSIONS



**NOTE:** ALL DIMENSIONS & SPECIFICATIONS ARE APPROXIMATE AND SUBJECT TO CHANGE WITHOUT NOTICE.

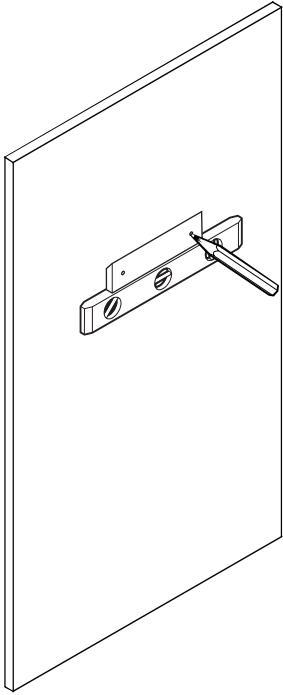
## TOOLS FOR ASSEMBLY



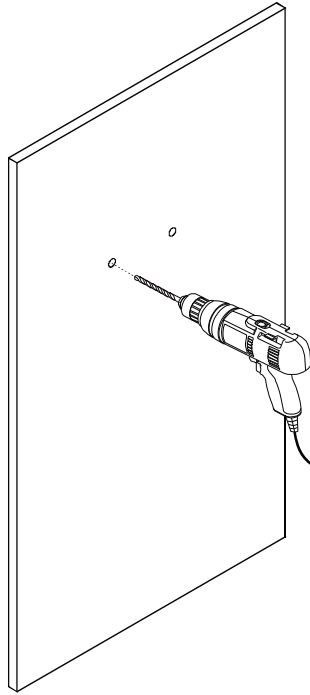
## MIRROR INSTALLATION

**\*NOTE:**  
Only use anchors  
if stud is not available.

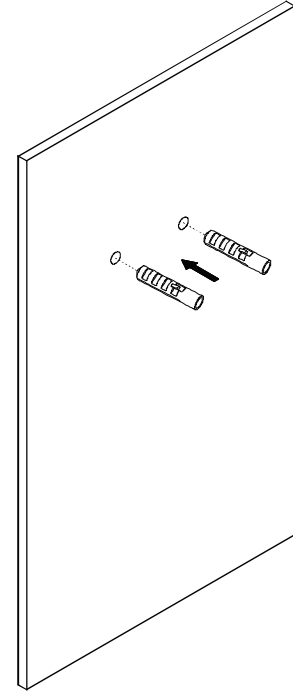
**1** Level the mirror bracket and then mark the installation position



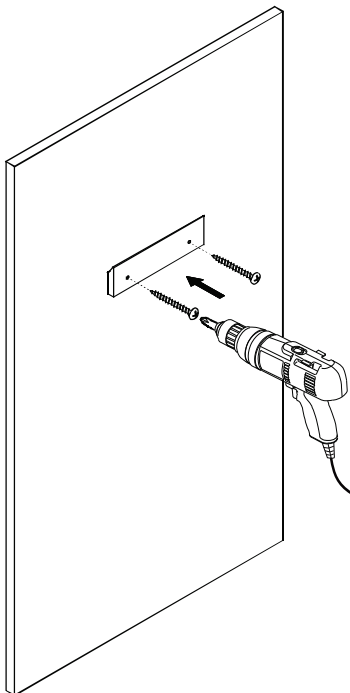
**2** Drill the holes



**3** Insert the anchors inside the holes

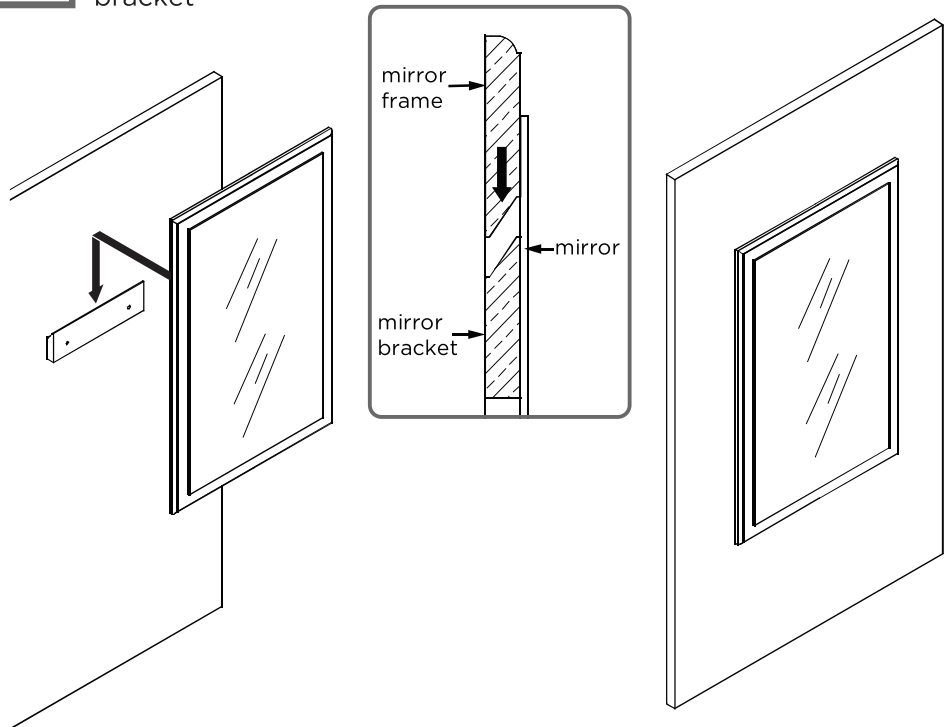


**4** Attach the bracket to the wall with the screws



**NOTE:** Consult an expert for the proper screws/bolts to use when attaching to various constructions. Screws provided do not attach to all wall construction types.

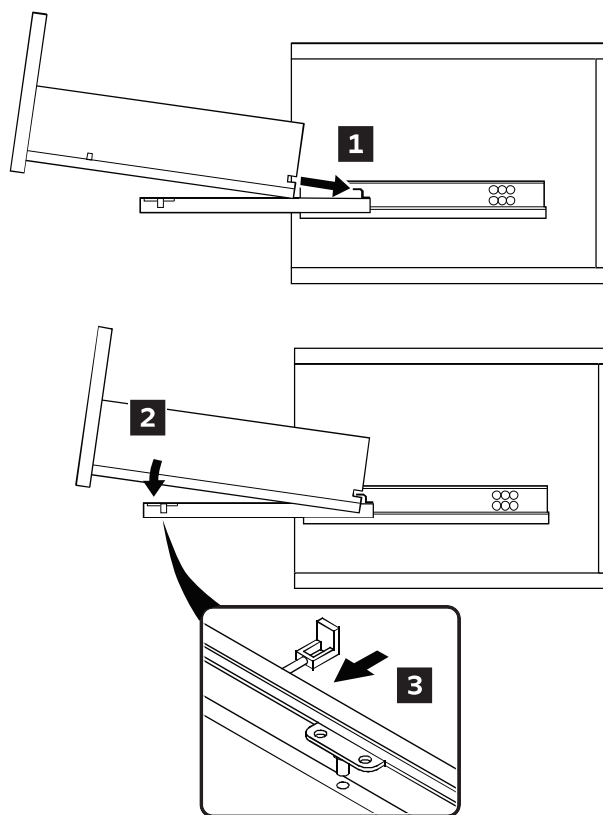
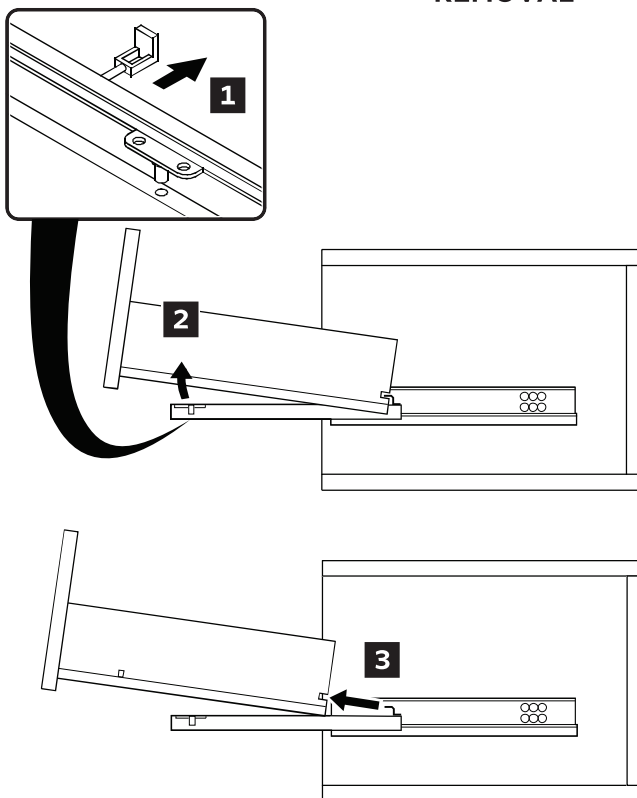
**5** Hang the mirror on the bracket



# DRAWER REMOVAL & INSTALLATION

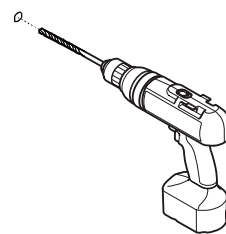
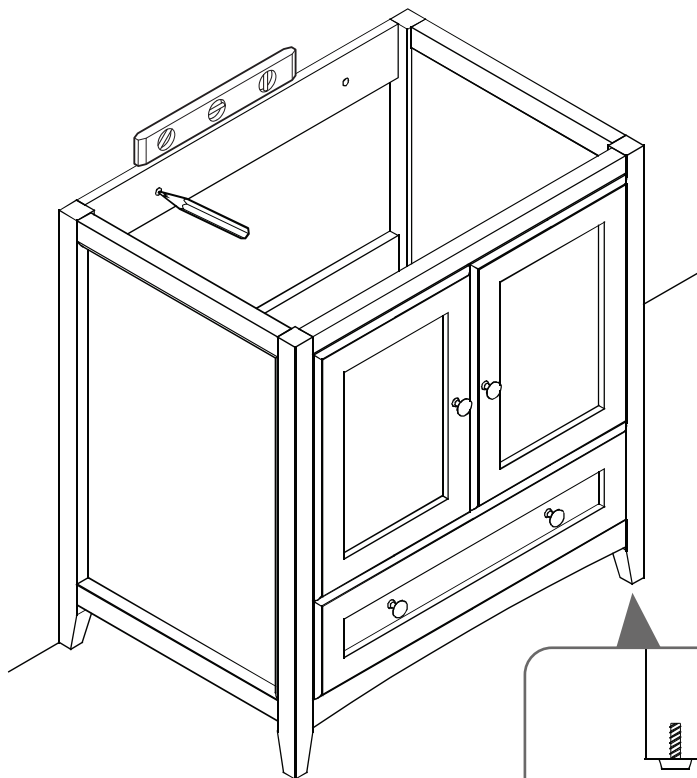
## REMOVAL

## INSTALLATION



**1** Level the cabinet and mark position for the installation.

**2** Drill the holes previously marked.



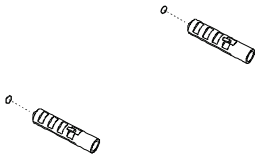
To ensure stability, cabinet's height can be regulated by turning the glide clockwise or counterclockwise.  
*(Optional Step)*

☞ Consult an expert for the proper screws/bolts to use when attaching to various wall constructions. Screws provided **do not attach** to all wall construction types.

**3**

\*Insert the anchors into the holes

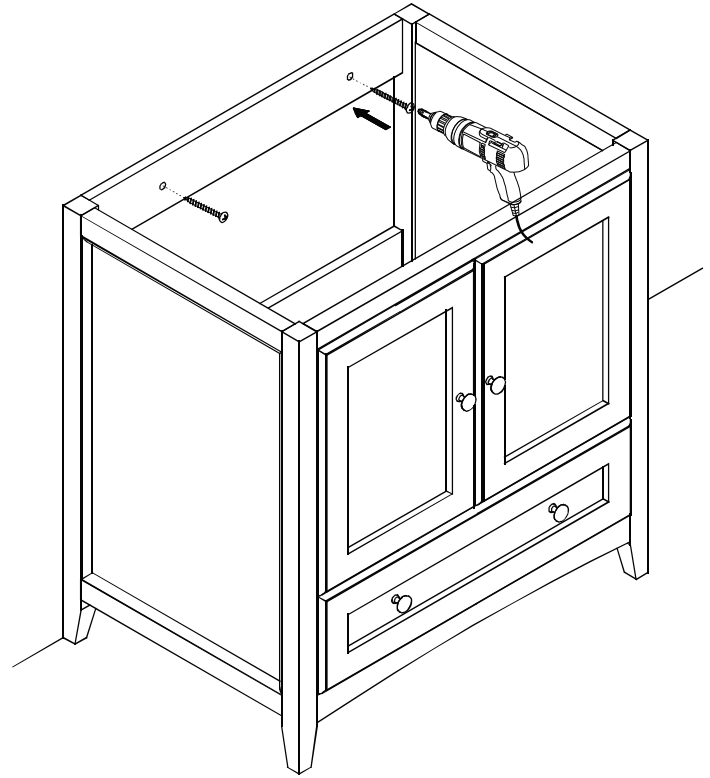
**\*NOTE:**  
Only use anchors  
if stud is not available.



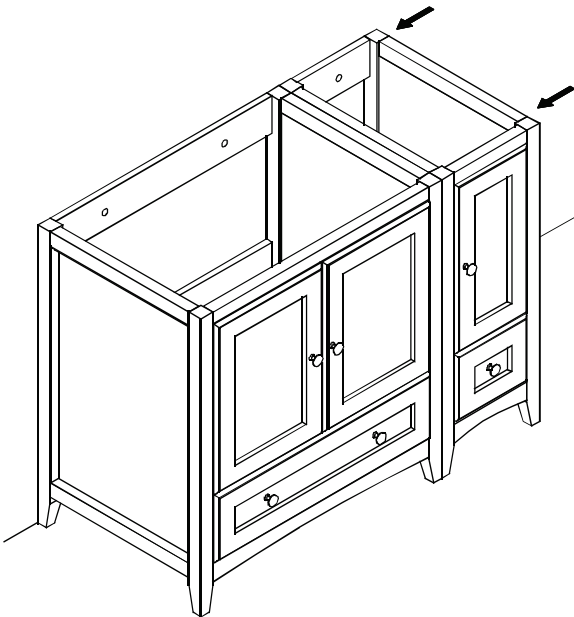
☞ Consult an expert for the proper screws/bolts to use when attaching to various wall constructions. Screws provided **do not attach** to all wall construction types.

**4**

Connect the cabinet to the wall using screws

**5**

Make sure that both cabinets are aligned and securely installed.

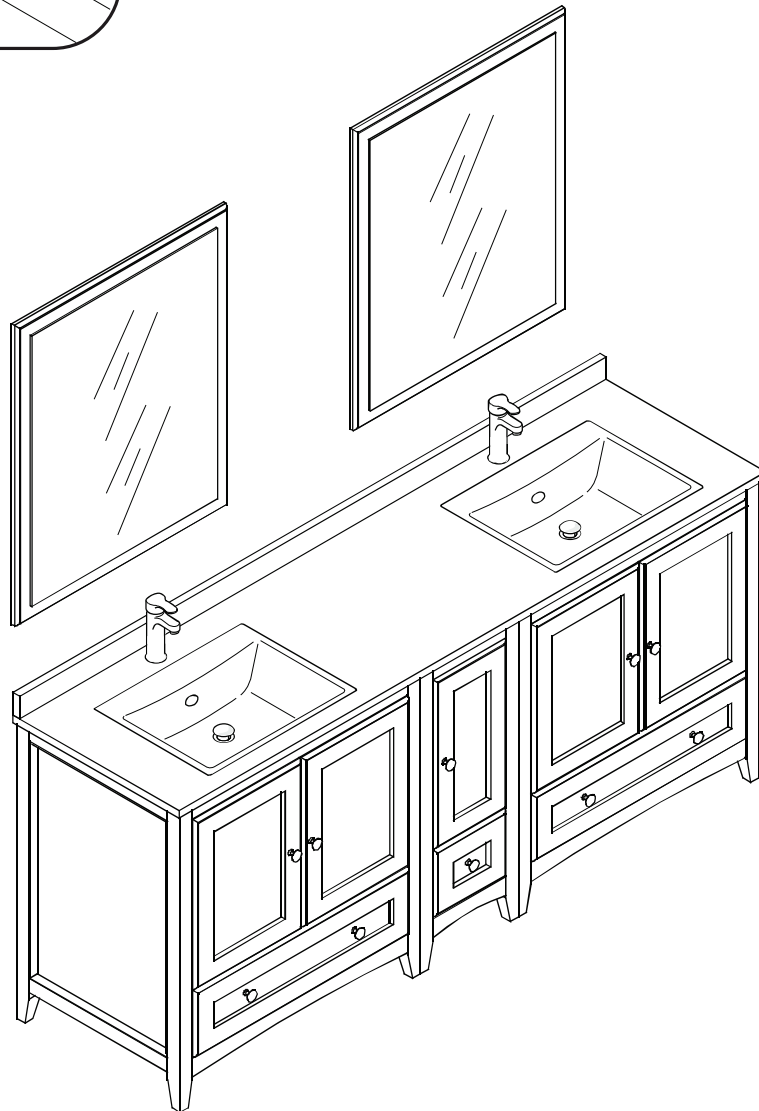
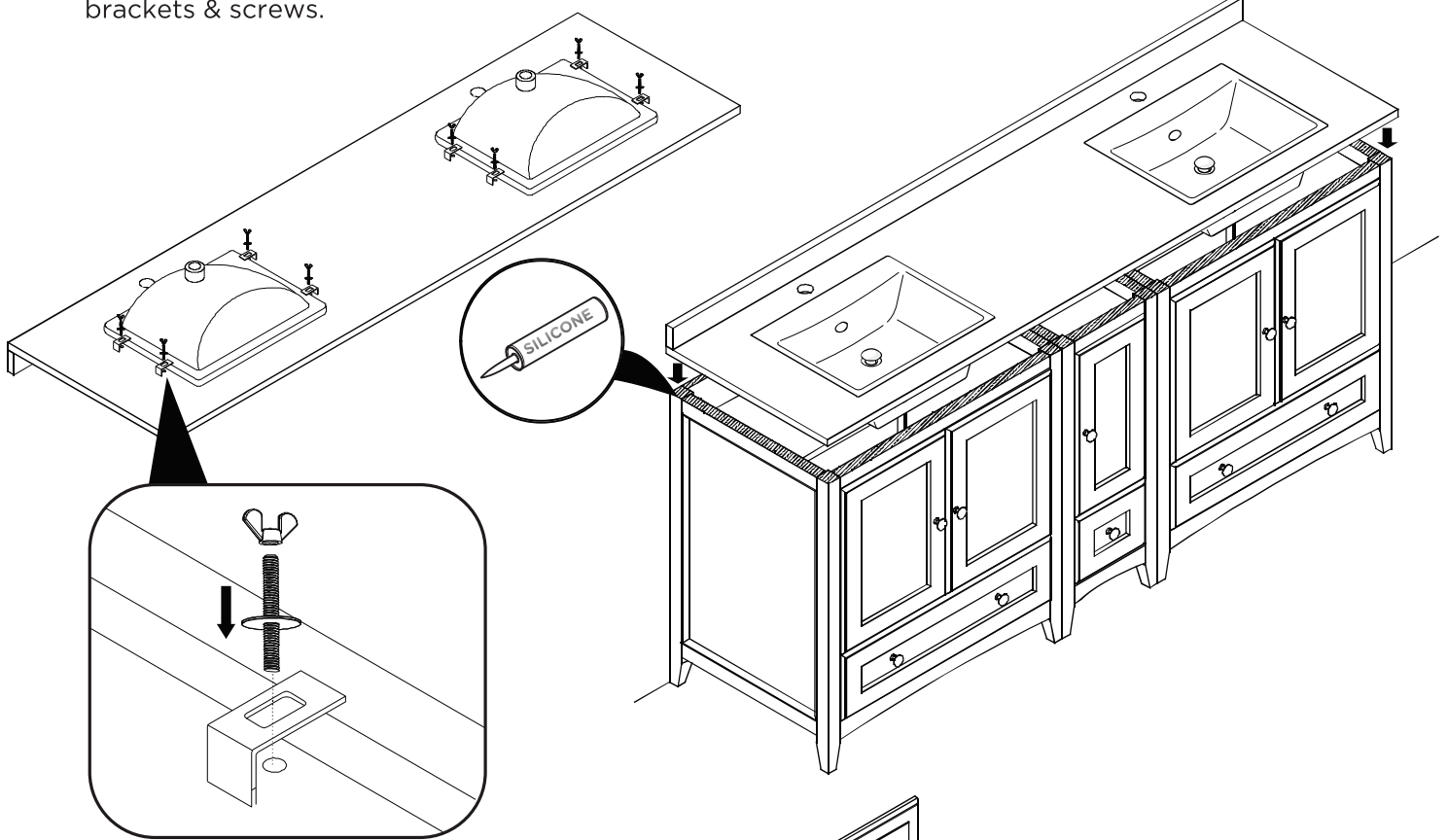
**6**

Repeat the master cabinet installation procedure.



**7** Flip the countertop upside down and attach the sink to it using a provided brackets & screws.

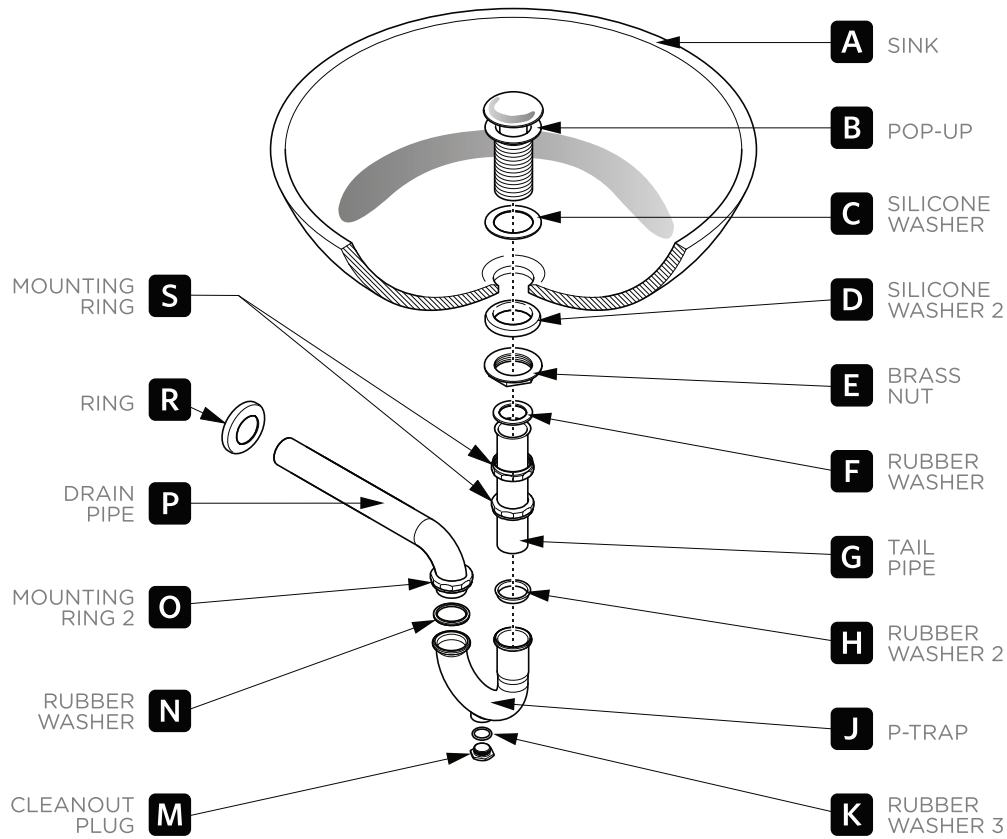
**8** Apply silicone to the top of the cabinet and place the countertop with sink attached on it.



# P-TRAP & POP-UP

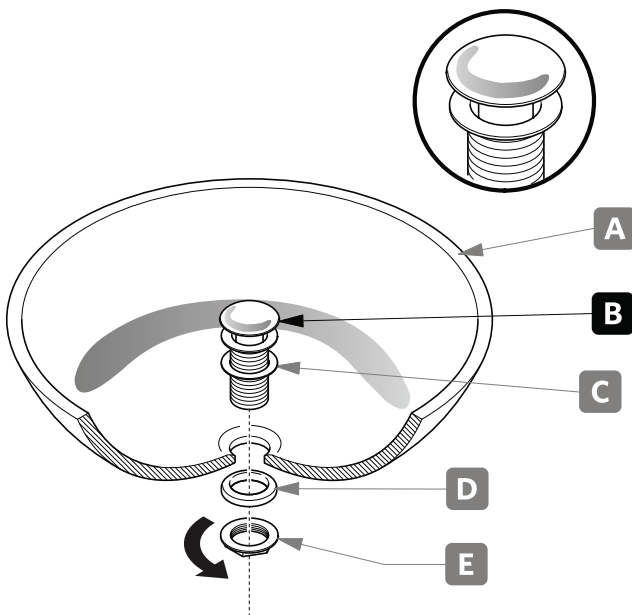
## INSTALLATION INSTRUCTIONS

Your item may appear slightly different from the illustration.



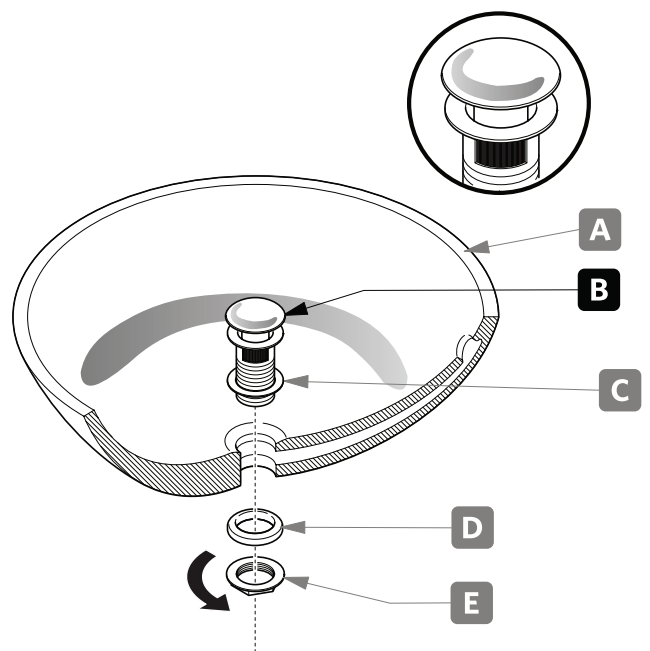
## POP-UP INSTALLATION

**FOR SINKS WITHOUT OVERFLOW**



OR

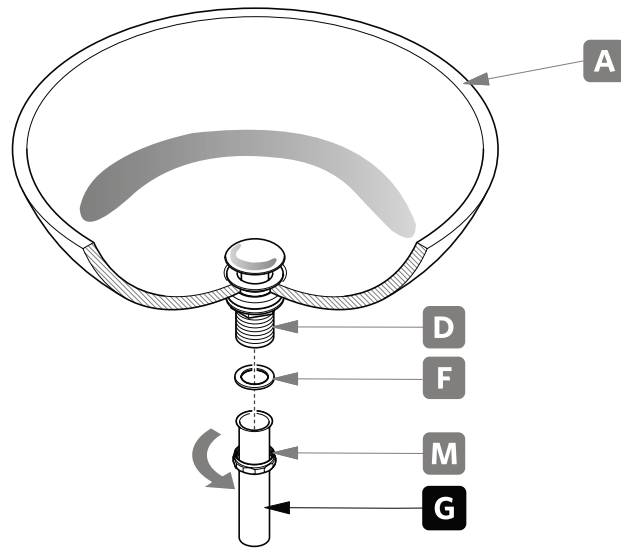
**FOR SINKS WITH OVERFLOW**





# P-TRAP INSTALLATION

**1** Install tail pipe (G).



**2** Install P-trap (J).

