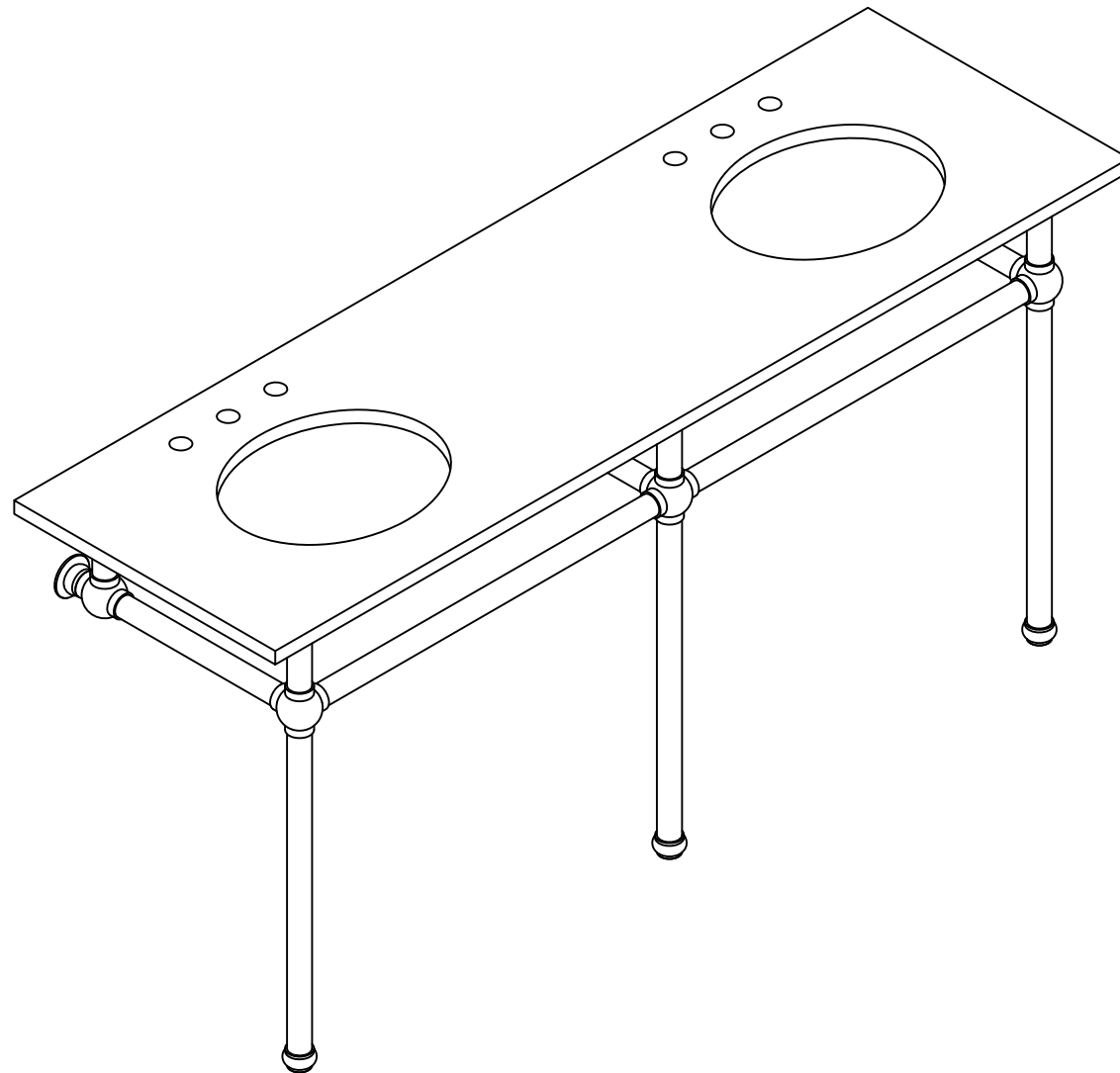




MODEL: EMPIRE60 72 / EMBASSY60 72

## WASH STAND INSTALLATION GUIDE



**MODEL: EMPIRE60 72 / EMBASSY60 72**


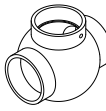
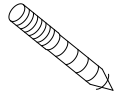
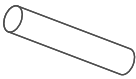

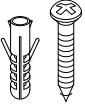
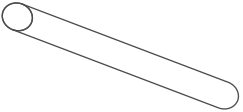
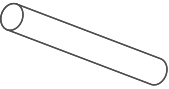

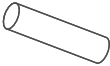

**Recommended Tools:**

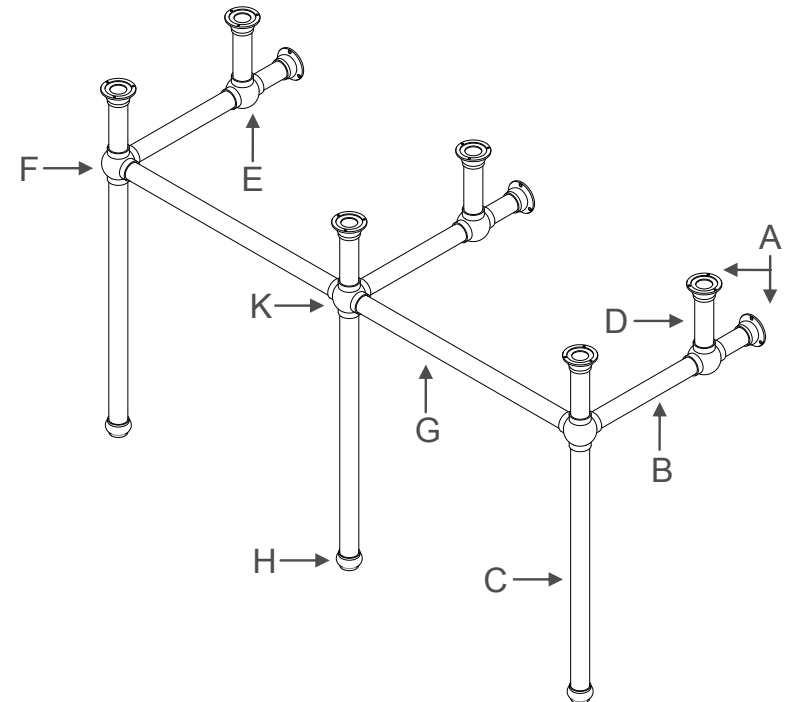
- Drill    - Level    - Hammer
- Pencil   - Silicone
- Phillips head screwdriver
- Safety Glasses

**BEFORE YOU BEGIN    \*\* IMPORTANT \*\***

- 1) Professional installation by two-person crew is required for this fixture
- 2) Assemble this fixture on a soft blanket is highly recommended
- 3) We do recommend installing wood blocking inside your wall to add support to your stand. You will need to use heavy duty anchors (such as steel or toggles) if you choose not to install wood blocking
- 4) Gently slide the joint onto support bar to avoid scratch

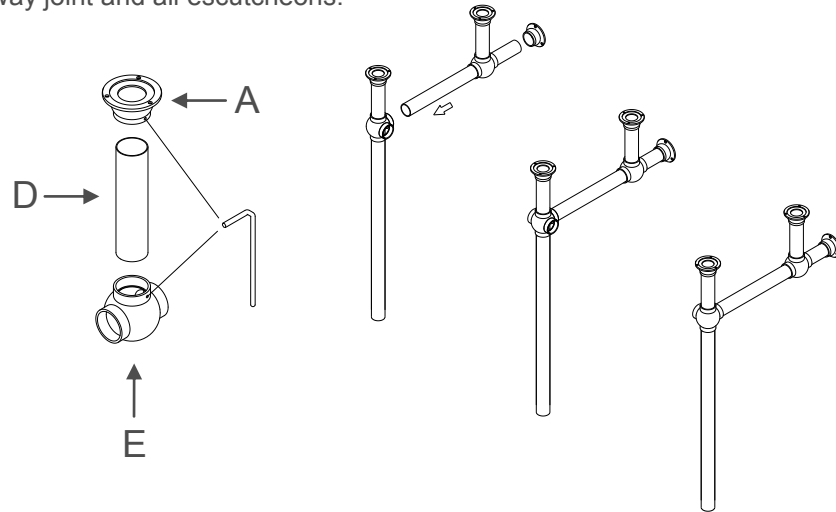
**PARTS**

(A) Escutcheon x 9 pcs	(E) 3-Way Joint x 3 pcs	(I) Floor Screw x 3 pcs
		
(B) Side Bar x 3 pcs	(F) 4-Way Joint x 2 pcs	(J) Screw & Anchor x 9 pcs
		
(C) Support Bar x 3 pcs	(G) Front Bar x 2 pcs	(K) 5-Way Joint x 1 pc
		
(D) Support Bar x 3 pcs	(H) Foot Flange x 3 pcs	
		

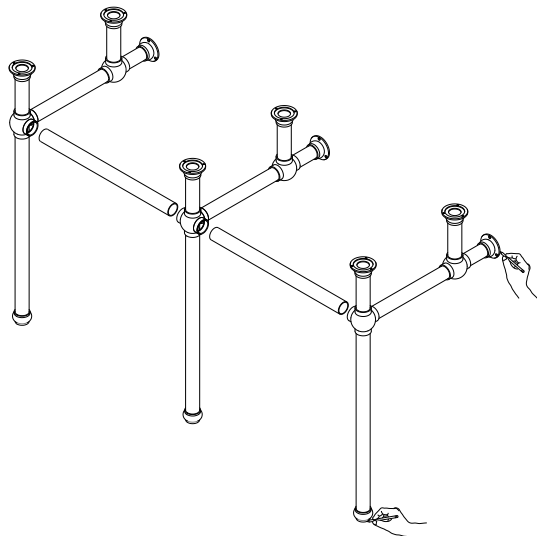


**INSTALLATION STEP**

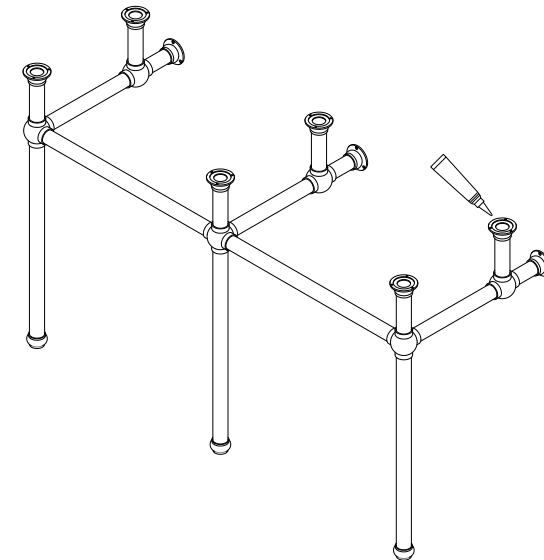
- 1) Assemble the back support as shown. Tighten set screws on the escutcheons and 3-way joints.
- 2) Assemble support legs as shown. Use a level to ensure the top escutcheons are straight. Tighten set screws on the 3-way joints, 4-way joints, 5-way joint and all escutcheons.



- 3) After assembling both sides support legs and central support leg, attach front bars to join legs together and tighten set screws.
- 4) With one person on either side of assembled stand, carefully position the wash stand in desired location. Use a pencil mark position of wall escutcheon screw holes on wall as well as the perimeter of the location of foot flanges on floor.



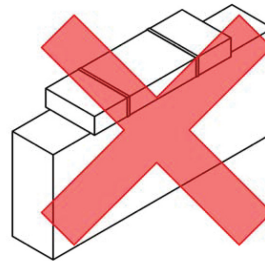
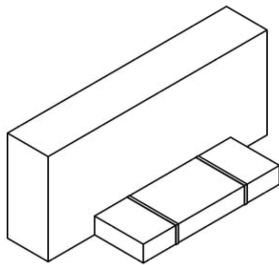
- 5) Thread the floor screws with foot flanges and screw it into floor.
- 6) Drill holes on wall for wall escutcheons and push anchors flush with wall
- 7) Insert the support legs into foot flanges and fasten wash stand to wall with mounting screws.
- 8) Apply a thin coat of silicone on the top flanges to secure the counter top to stand.  
(If counter top need slight leveling adjustment, place attached sponge pads on escutcheons as necessary to stabilize.)



## MARBLE TOP INSTALLATION

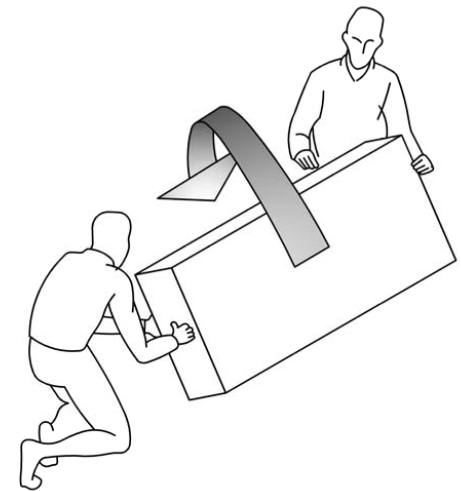
### Storage:

1. Keep marble top in it's box until installation
- 2: Store box vertically in a place safe from being hit or knocked over
3. Do not stack anything on top of the box



### Opening Box:

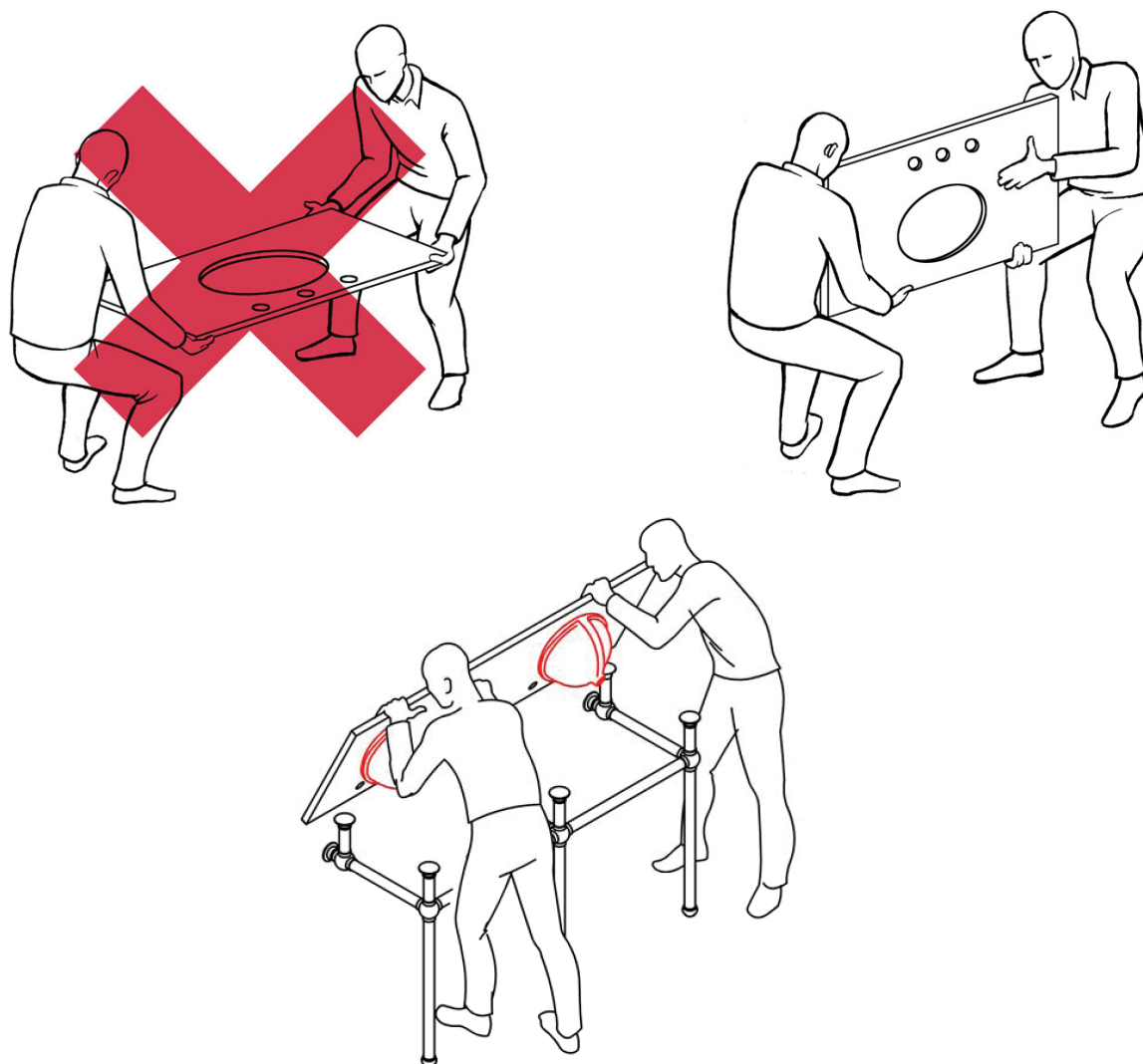
1. Before unpacking please make sure you have installation requirement present:
  - > A professional two man crew
  - > Tools and materials required:
    - a. Flat, non-abrasive work surface, such as a soft blanket
    - b. Carpenter's level
    - c. Sealant
2. Carefully, without allowing any free fall, rotate the box from vertical to flat.  
(This is the only time the box placed horizontally.)



## MARBLE TOP INSTALLATION

### Installation:

1. Always use a two man crew, a single person crew is much more likley to cause damage
- 2: Apply sealant to secure marble top on washstand



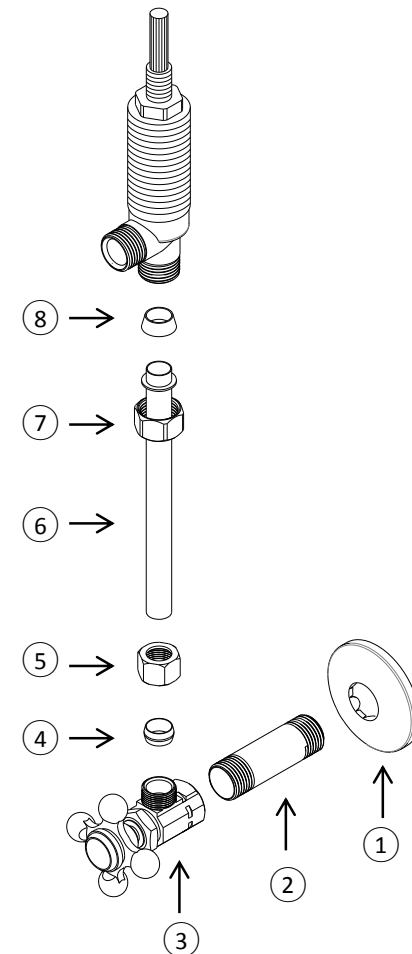


MODEL: PS-0001



## STOP VALVE AND SUPPLY TUBE INSTALLATION

1. Apply Teflon tape to thread of the pipe (2) and screw it with the stop valve (3).
2. Slide the escutcheon (1) onto the pipe and apply the Teflon tape to thread.
3. Screw stop valve to main water supply on wall. Use wrench to turn the valve and let the outlet go up. (Don't over turn the stop valve, it may damage the valve or pipe.)
4. Close the stop valve and briefly turn on the main water supply to check for leaks.
5. Loosen the nut (5) and compression ring (4) from stop valve, take the supply tube (6) and measure the length from stop valve to faucet valve, if necessary to cut the extra length of tube.
6. Slide the nut (7) onto the supply tube and set the cone washer (8) at top.
7. Slide the nut (5) and compression ring (4) from bottom of supply tube.
8. Attach the supply tube with faucet valve and stop valve. Tighten both nuts with wrench. (This copper supply tube can be bent slightly for installation )
9. Close the faucet valve and turn on the stop valve to check for leaks.

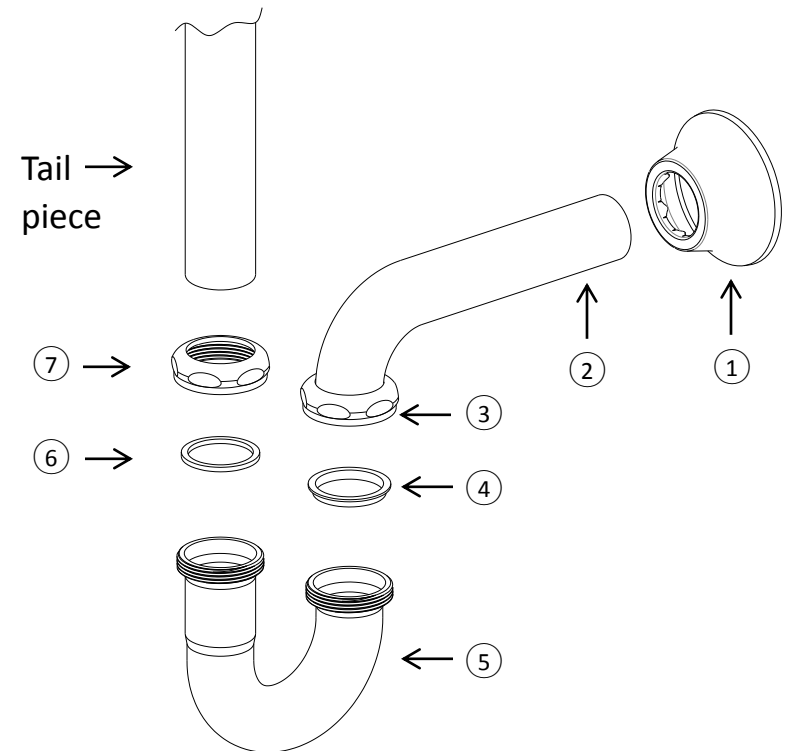




MODEL: PS-0001

## P TRAP INSTALLATION GUIDE

1. Remove horizontal pipe (2) and slip joint nut (3) from bottle trap (5).
2. Apply Teflon tape to all exposed threads.
3. Slide the slip joint nut (3) and escutcheon (1) onto horizontal pipe. Then insert the pipe into wall waste opening.
4. Remove slip joint nut (7) and washer (6) from bottle trap, to install it onto drain tail piece.
5. Attach bottle trap to drain tail piece and hand tighten slip joint nut.
6. Align bottle trap with horizontal pipe and drain tail piece, at this point it may be necessary to cut part of tail piece or part of horizontal pipe to obtain proper alignment.
7. After all components have been properly aligned, connect the bottle trap and horizontal pipe with slip joint nut, making sure to set the washer (4) before tighten the nut.
8. Check for leaks by opening faucet and letting water run for at least one minute.





MODEL: F2-0009

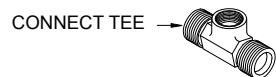
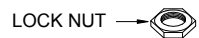
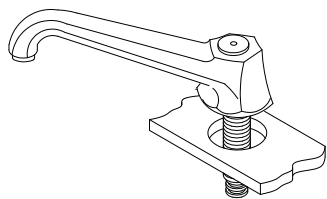
## LAVATORY FAUCET INSTALLATION GUIDE

### BEFORE YOU BEGIN

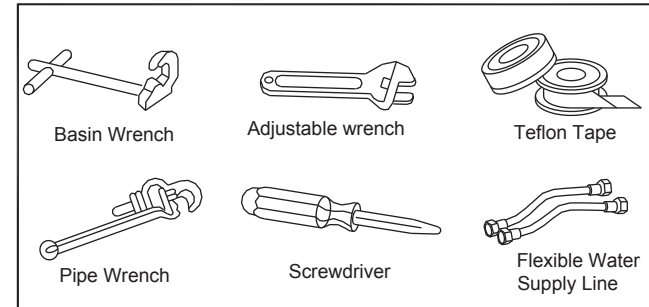
- 1) Shut off water supply.
- 2) Carefully inspect waste and supply tubing for signs of damage.
- 3) Replace waste or supply tubing if necessary

### A) SPOUT INSTALLATION

- 1) Remove washer, lock nut and connect tee.
- 2) Apply plumbers' putty or sealant.
- 3) Locate mounting hole and insert spout into deck or lavatory.
- 4) Screw and tighten washers, lock nut onto the shank and secure the spout
- 5) Insert pop-up rod into the spout.
- 6) Screw and tighten the connect tee to the shank.
- 7) Remove excessive plumbers' putty or sealant.

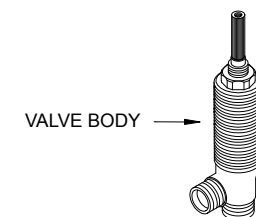
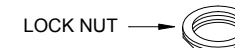
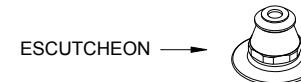
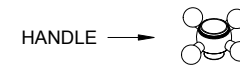


### TOOLS AND MATERIALS



### B) HANDLE VALVE INSTALLATION

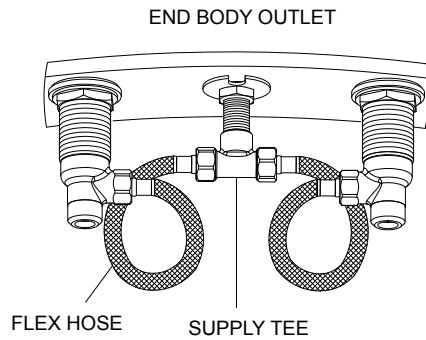
- 1) Place lower plastic washer and lock nut over valve body.
- 2) Insert valve body from under the sink.
- 3) Place upper rubber washers and escutcheon on valve spindle.
- 4) Adjust position of valve body. Secure valve body with lock nut and escutcheon.
- 5) Place handle onto spindle.
- 6) Tighten handle with screw.





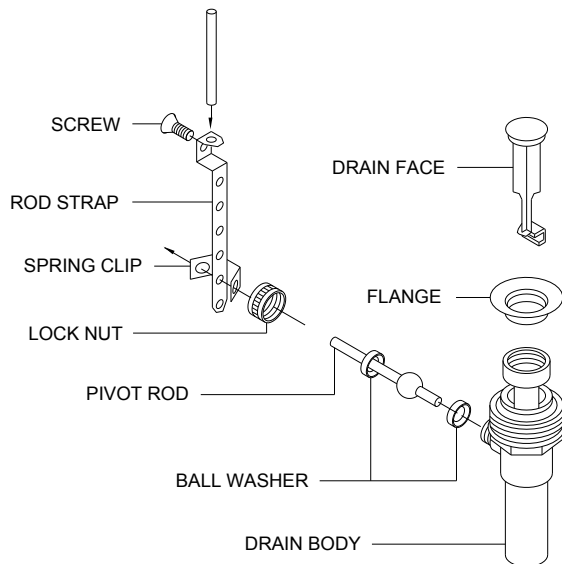
### C) FLEXIBLE HOSE INSTALLATION

- 1) Install flexible hoses onto hot and cold water outlets.
- 2) Secure hoses with wrench. Do not over tighten.
- 3) Connect flexible hoses to supply tee.
- 4) Circle the excessive part of hoses as shown in figure below.



### D) DRAIN WASTE INSTALLATION

- 1) Install the drain body on the shank.
- 2) Secure pivot rod into pivot rod opening. (on the side of drain body)
- 3) Adjust the position of rod strap.
- 4) Secure rod strap to pivot rod with spring clip.
- 5) Locate end of pull-up rod of spout.
- 6) Insert pull-up rod into rod strap.
- 7) Secure pull-up rod with screw.



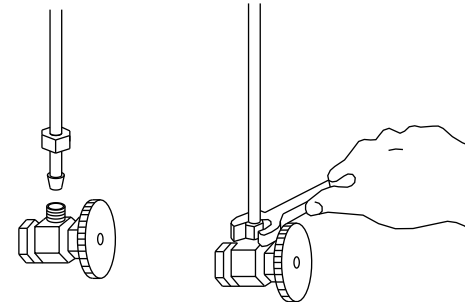
**MODEL: F2-0009**

### E) SUPPLY CONNECTION

- 1) Install lavatory according to manufacturer's instructions.
- 2) Connect hoses (not provided) to angle stops.
- 3) Tighten all connections.

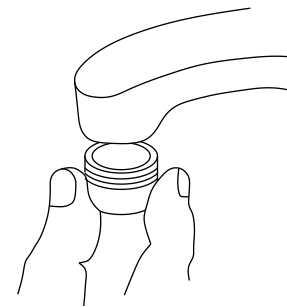
**\*\*\* VERY IMPORTANT \*\*\***

- 4) Flush out water for two minutes before connect hose to faucet valve.  
(This act to avoid debris trapped the flow regulator)



### F) INSTALLATION CHECKOUT

- 1) Ensure all connections are tightened properly.
- 2) Turn on main water supply.
- 3) Turn on and off cold and hot water respectively.
- 4) Turn on both hot and cold water and turn off. Check for leaks.
- 5) Remove the aerator cap and aerator. Check for debris. Clean if necessary.
- 6) Reinstall aerator.



**COMPLETE INSTALLATION**



MODEL: EMPIRE-M-1824

Recommended Tools:

- Drill
- Phillips head screwdriver
- Level
- Hammer
- Safety Glasses
- Pencil

## MIRROR INSTALLATION GUIDE

### BEFORE YOU BEGIN \*\* IMPORTANT \*\*

- 1) Professional installation by two-person crew is required for this fixture
- 2) We do recommend installing wood blocking inside your wall to add support to your mirror. If you choose not to insert wood blocking, you will need to use heavy duty anchors (such as steel or toggles).

### INSTALLATION STEP

- 1) With one person on either side of mirror, carefully position the mirror in desired location. Use a pencil mark position of wall flange on wall.
- 2) Position the brackets in center of flange on wall, use a pencil mark holes for screw.
- 3) Drill holes on wall and push anchors flush with wall, screw the bracket. Use level to make sure both brackets are in straight.
- 4) Attach the mirror onto brackets, tighten the set screw underneath to secure.

