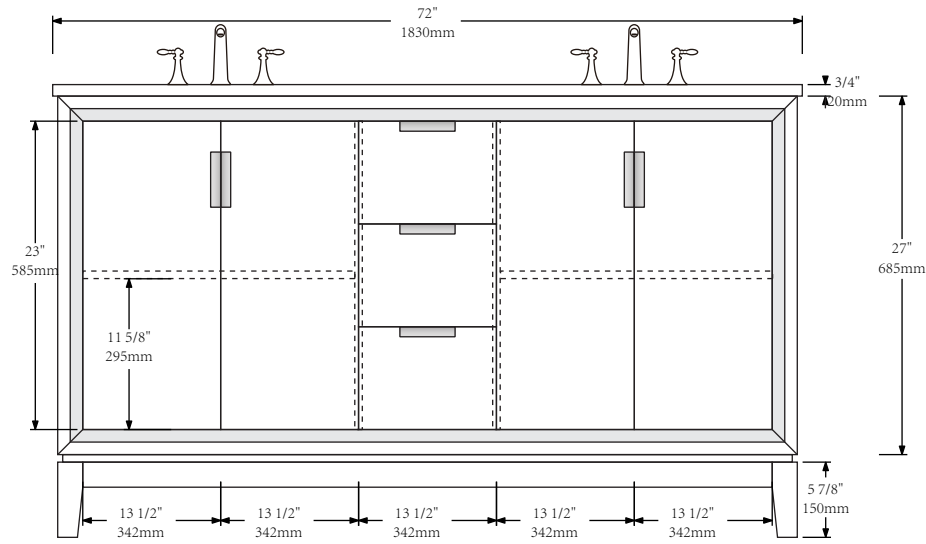
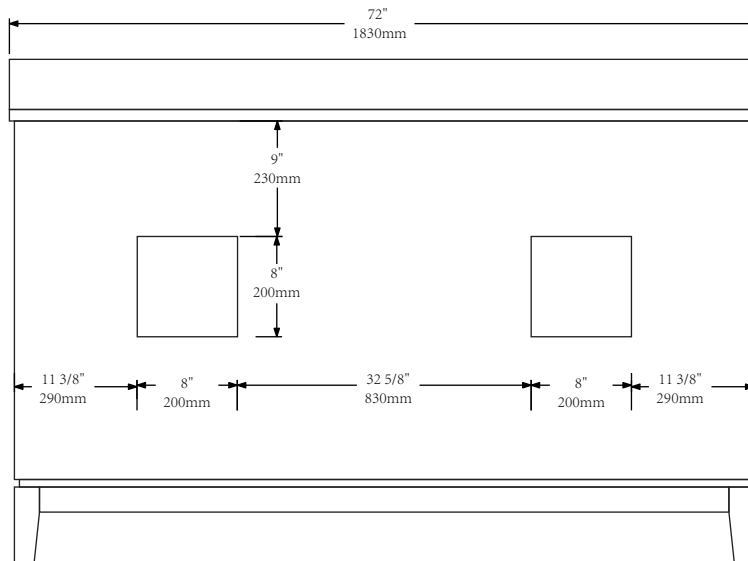




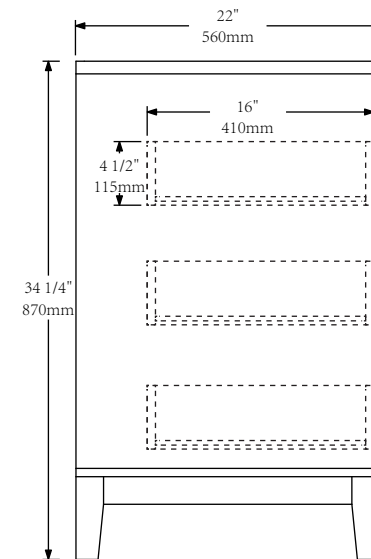
MODEL: ELIZABETH72



FRONT VIEW



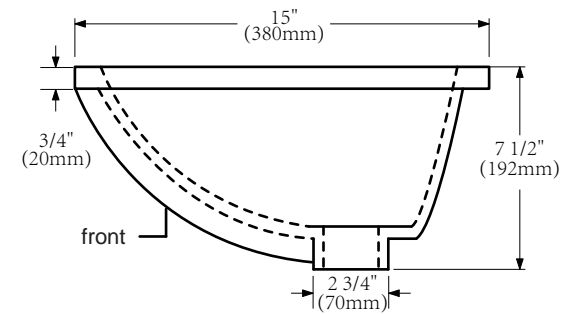
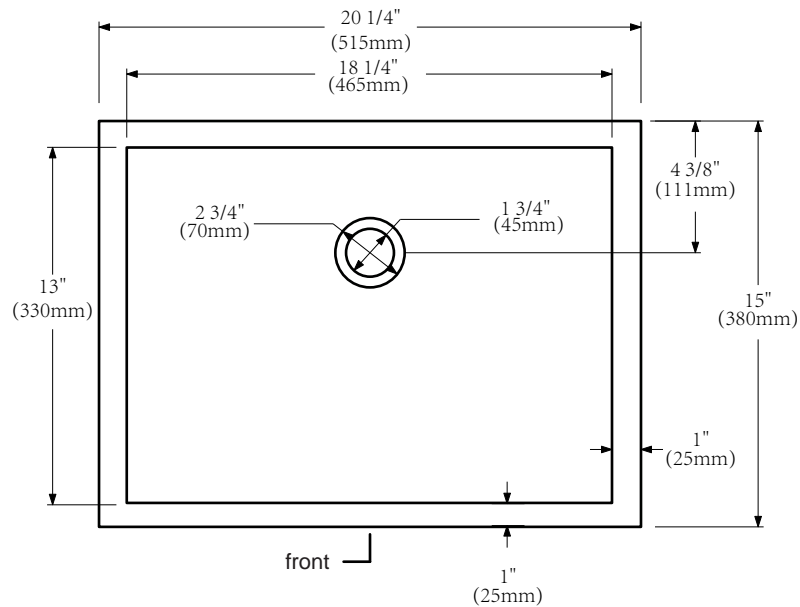
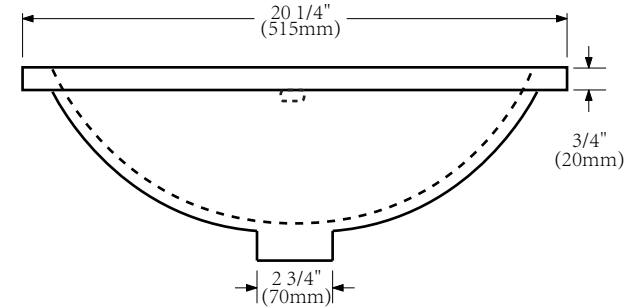
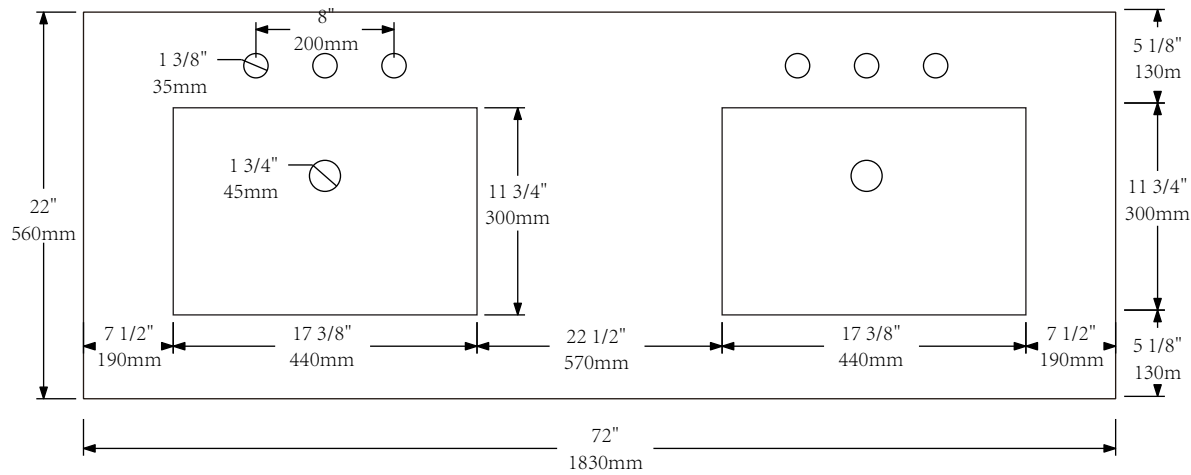
BACK VIEW



SIDE VIEW

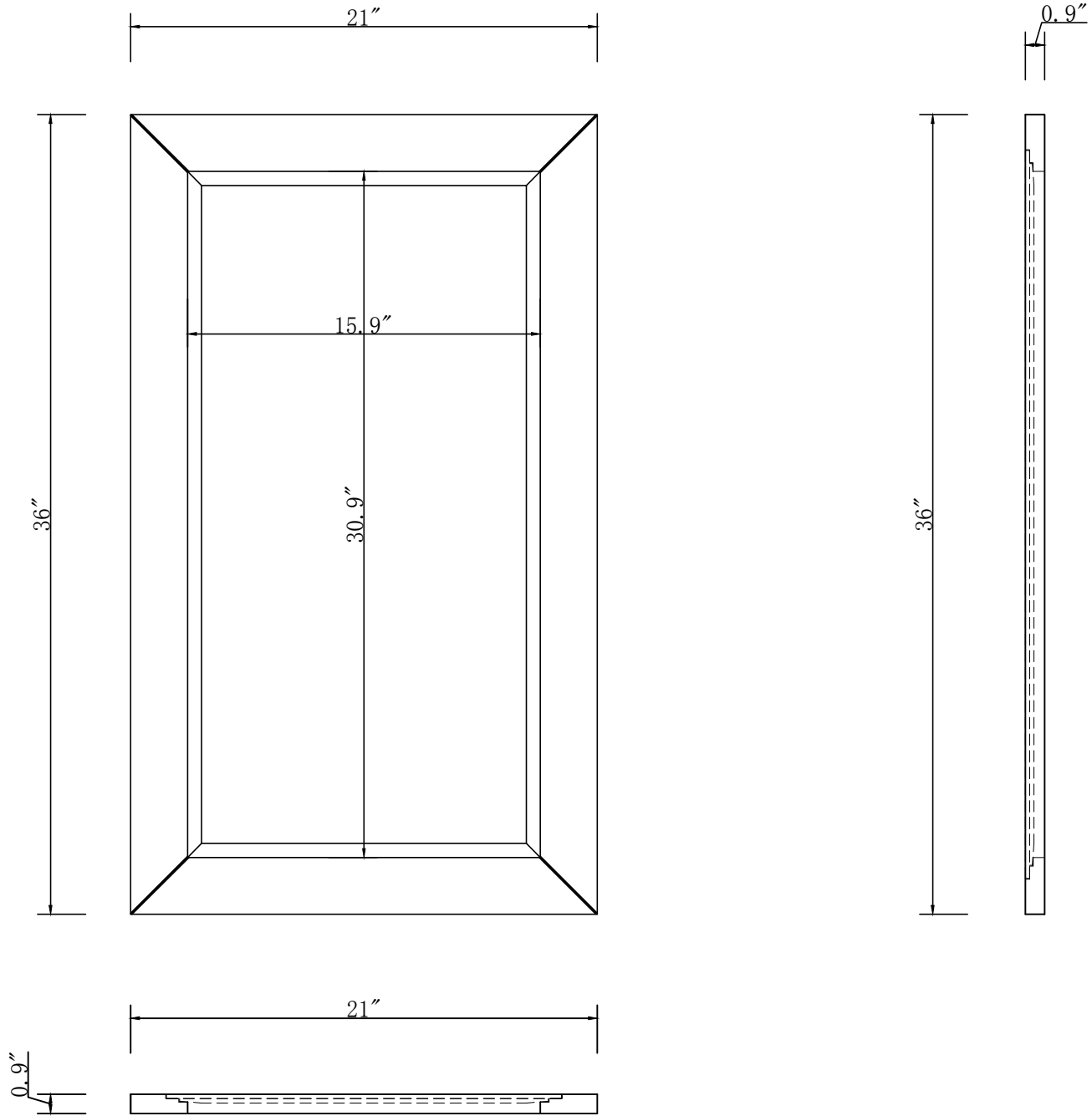


# MODEL: ELIZABETH72





MODEL: RET-M-2136





MODEL: F2-0012

