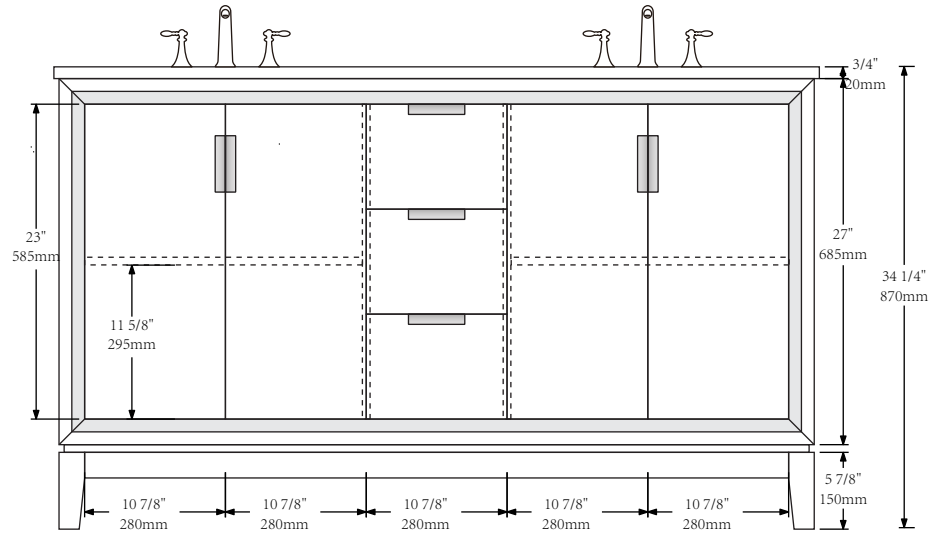
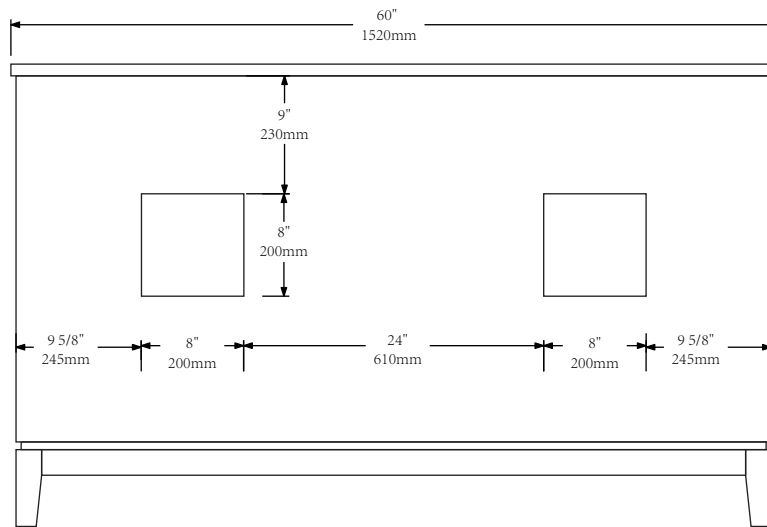




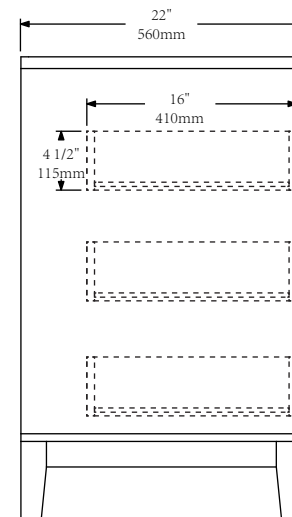
MODEL: ELIZABETH60



FRONT VIEW



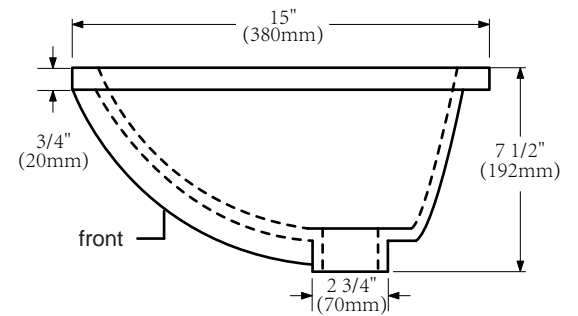
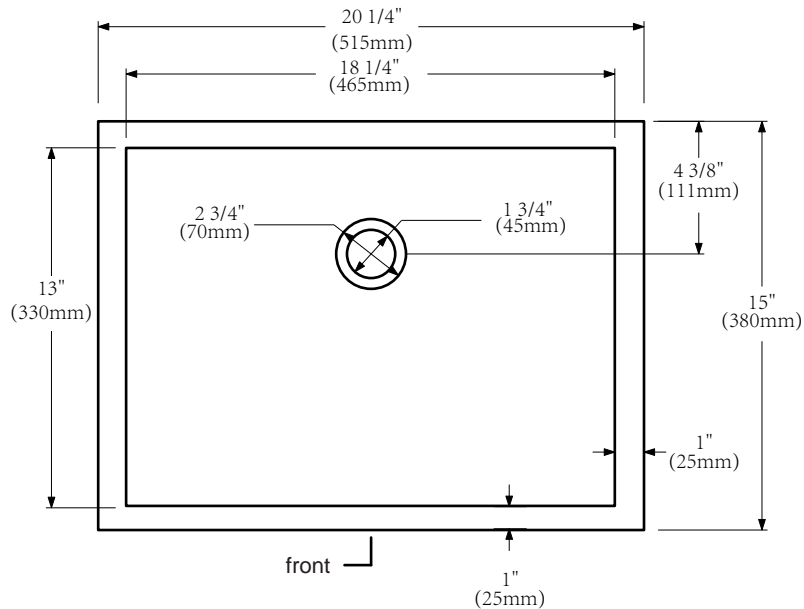
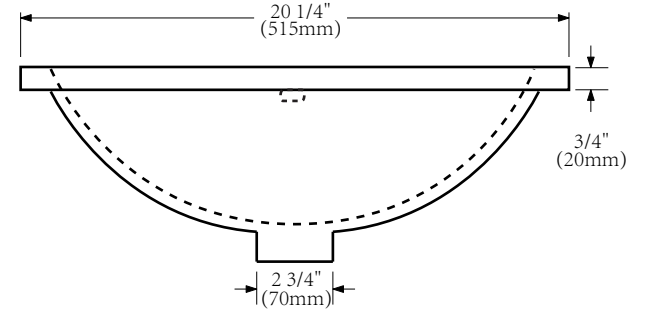
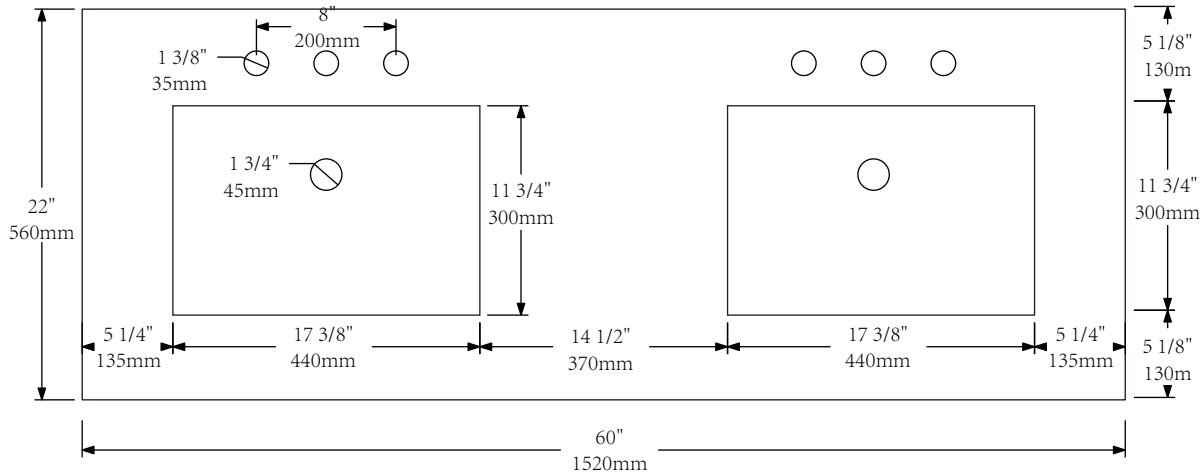
BACK VIEW



SIDE VIEW

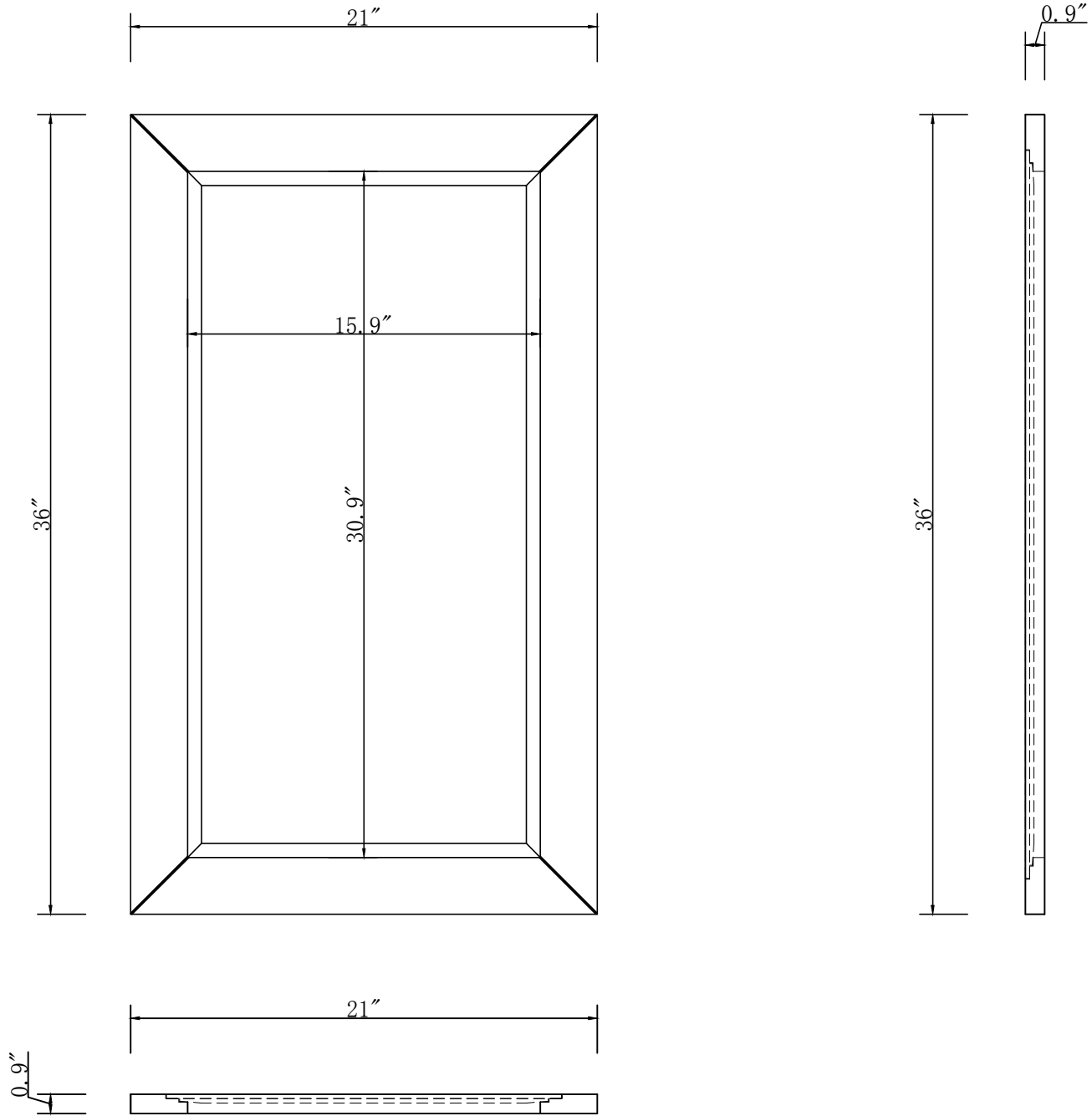


MODEL: ELIZABETH60





MODEL: RET-M-2136





MODEL: F2-0009

