

12"

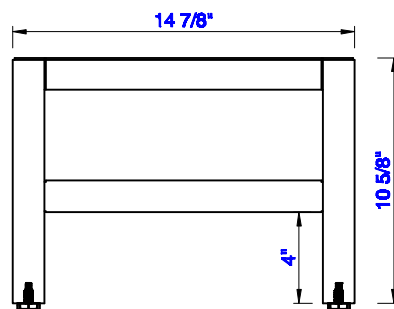
Item Number:
E444-ST12-MCA
E444-ST12-GW

JAMES MARTIN



VANITIES™

Addison 12" Wooden Stand
for Petite Tower Hutch
Diagrams with Dimensions
page 01 of 03



12"

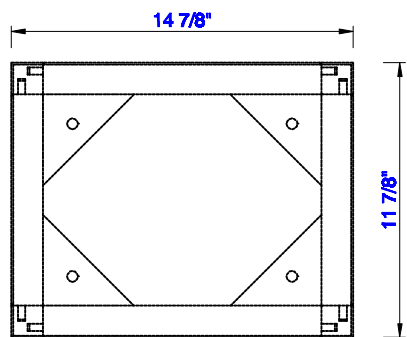
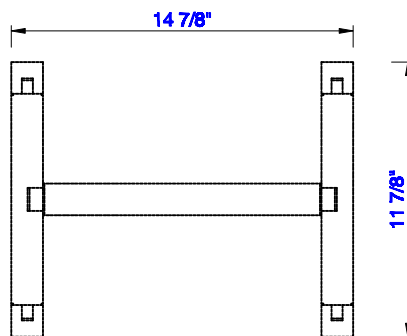
Item Number:
E444-ST12-MCA
E444-ST12-GW

JAMES MARTIN



VANITIES™

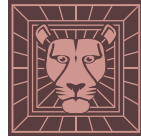
Addison 12" Wooden Stand
for Petite Tower Hutch
Diagrams with Dimensions
page 02 of 03



12"

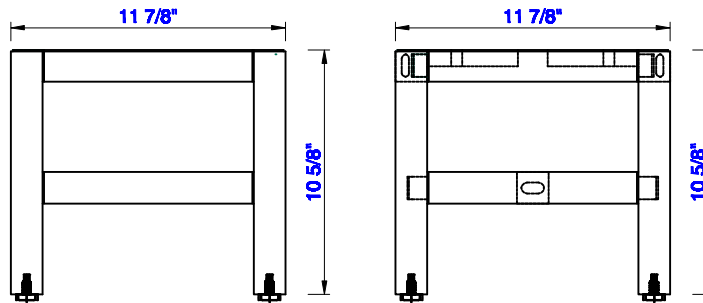
Item Number:
E444-ST12-MCA
E444-ST12-GW

JAMES MARTIN



VANITIES™

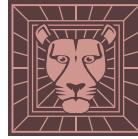
Addison 12" Wooden Stand
for Petite Tower Hutch
Diagrams with Dimensions
page 03 of 03



305mm

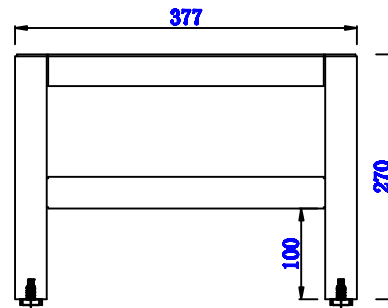
Item Number:
E444-ST12-MCA
E444-ST12-GW

JAMES MARTIN



VANITIES™

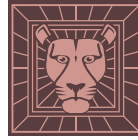
Addison 305mm Wooden Stand
for Petite Tower Hutch
Diagrams with Dimensions
page 01 of 03



305mm

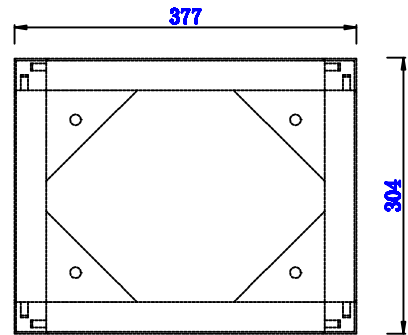
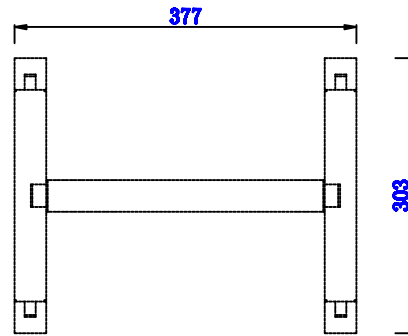
Item Number:
E444-ST12-MCA
E444-ST12-GW

JAMES MARTIN



VANITIES™

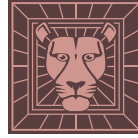
Addison 305mm Wooden Stand
for Petite Tower Hutch
Diagrams with Dimensions
page 02 of 03



305mm

Item Number:
E444-ST12-MCA
E444-ST12-GW

JAMES MARTIN



VANITIES™

Addison 305mm Wooden Stand
for Petite Tower Hutch
Diagrams with Dimensions
page 03 of 03

