



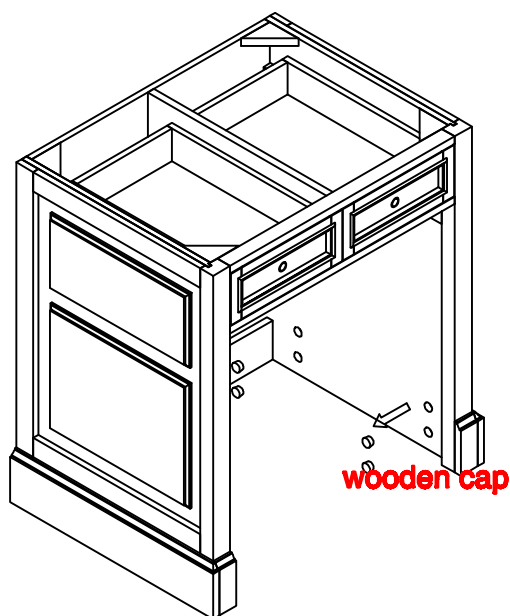
De Soto 30" Free Standing Countertop Unit (makeup counter): 825-CU30-BW

Assembly / Installation Instructions

Important Notes:

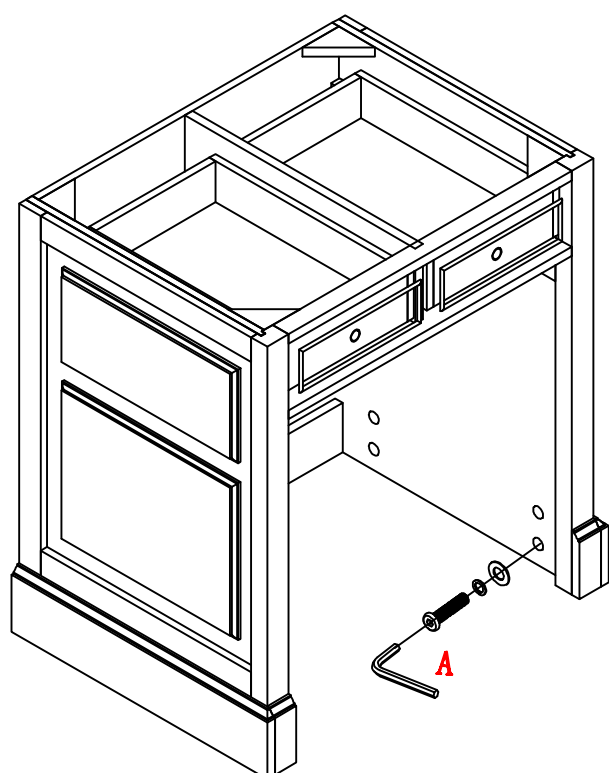
You may remove the base crown moulding on either side if you wish to install the cabinet flush against a side wall. If you plan to use the cabinet as free-standing item, then please proceed to the step 3 on pages 02. If you plan to use the cabinet against a side wall (corner), then please follow instructions on all pages (01-02).

For your safety and to achieve the best possible installation of this vanity cabinet, James Martin Vanities always recommends you consult with a professional contractor. Two people are required for the assembly and installation of these cabinets.



Note 1: De Soto cabinets feature removable side base moulding (Kick plates) to allow for flush placement against side walls and corners.

Step 1 Notes: To remove the side base moulding piece, you must first remove the wooden caps covering the access the bolts.



A = 1 PC Allen Wrench (#4)



Step 2 Notes: Remove the bolts and washers from the inside of the cabinet using the Allen wrench which is included inside the specially marked red color hardware bag. (this hardware bag is included with the cabinet)

Step 2a Notes: Once you have removed the side moulding, you may place the cabinet against a side wall to achieve a "built-in" appearance for your cabinet.

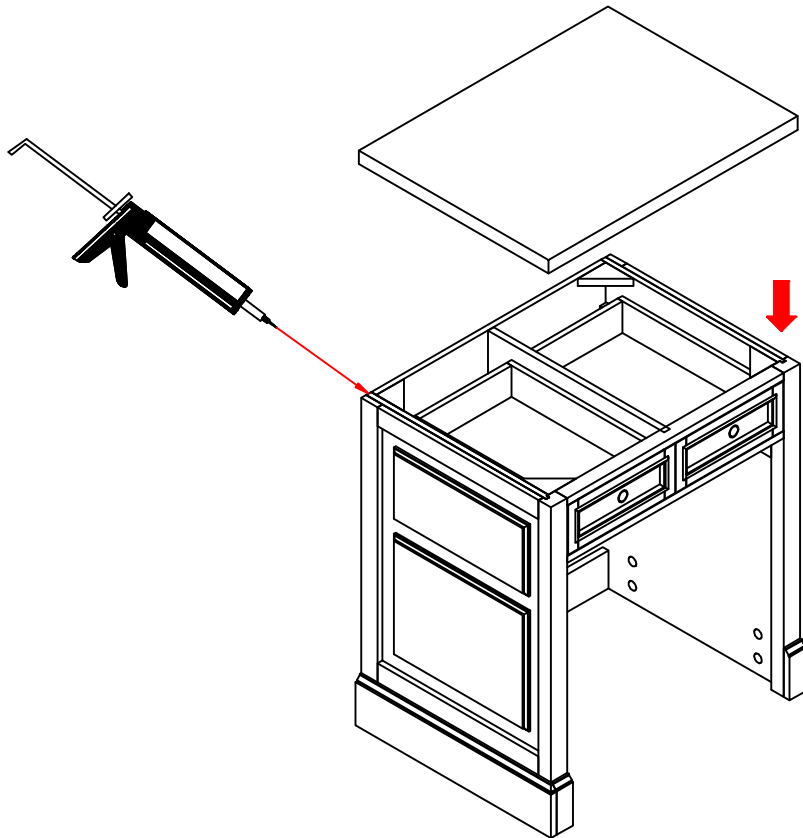
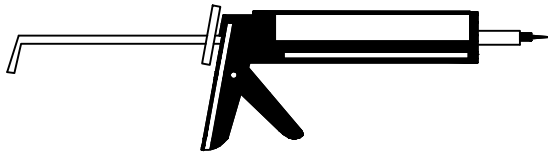
Noted 2: You may wish to keep the side base moulding piece and hardwares for future use.



De Soto 30" Free Standing Countertop Unit (makeup counter): 825-CU30-BW

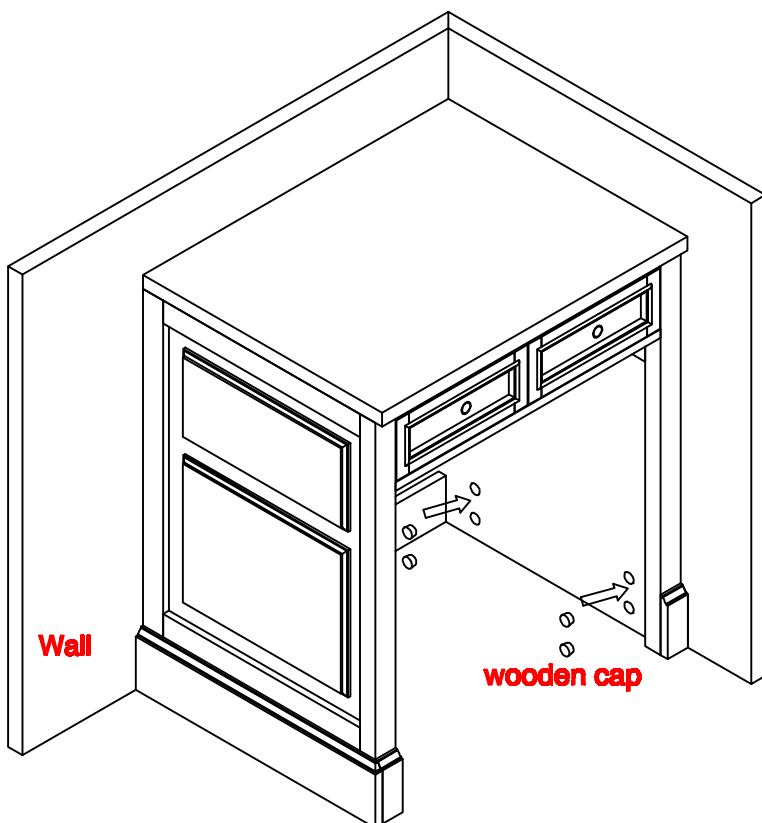
Assembly / Installation Instructions

Materials
for
Installation:



Step 3 Notes:

Properly align and secure the countertop to the cabinet with high quality adhesive.



Step 4 Notes:

Return the wooden caps to their original position to cover the holes required to access the bolts.