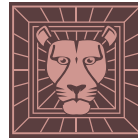


46"

Item Number:
650-V46-BKO
650-V46-BNM
650-V46-BW
650-V46-UGR
650-V46-VBL

JAMES MARTIN

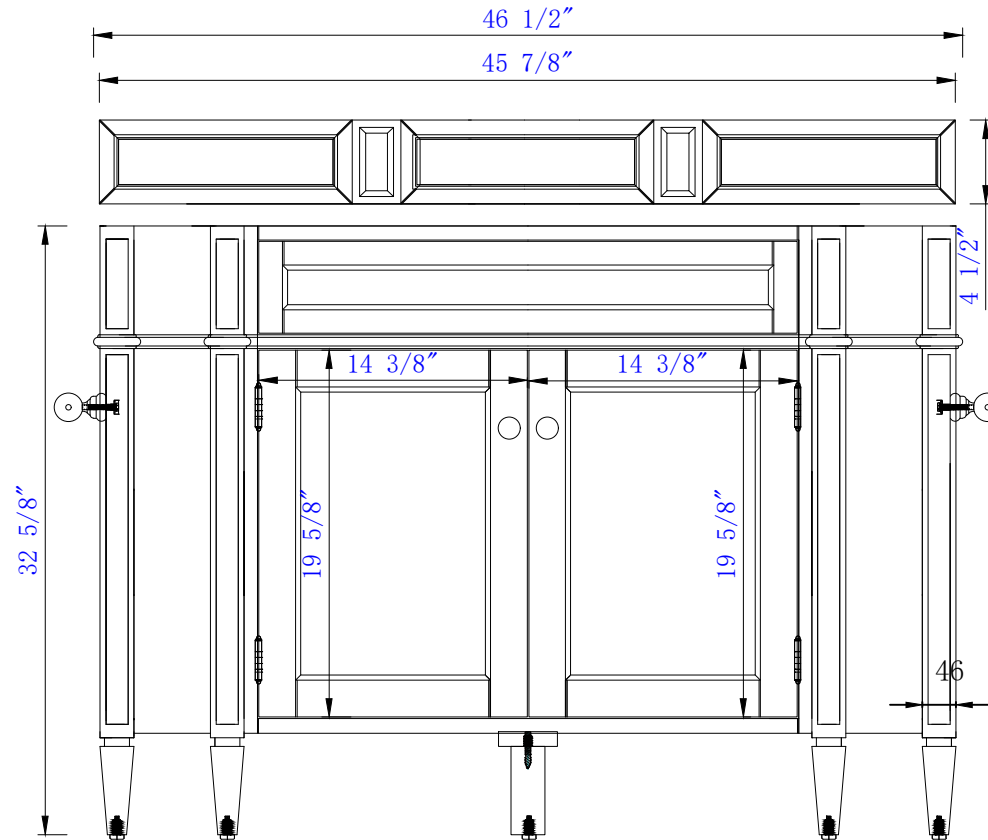


VANITIES™

Brittany 46" Single Vanity Cabinet

Diagrams with Dimensions

page 01 of 03



NOTE ONE: Countertops are not shown in these diagrams .(Cabinet Only)

NOTE TWO: Wood Backsplash (Shown) is designed for the molding detail to align with sinks in James Martin's Optional Countertops.

Customers' own countertops and sinks may align differently.

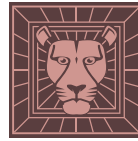
Please consult our website for Countertop Diagrams: www.jamesmartinvanities.com

Version:202107

46"

Item Number:
650-V46-BKO
650-V46-BNM
650-V46-BW
650-V46-UGR
650-V46-VBL

JAMES MARTIN

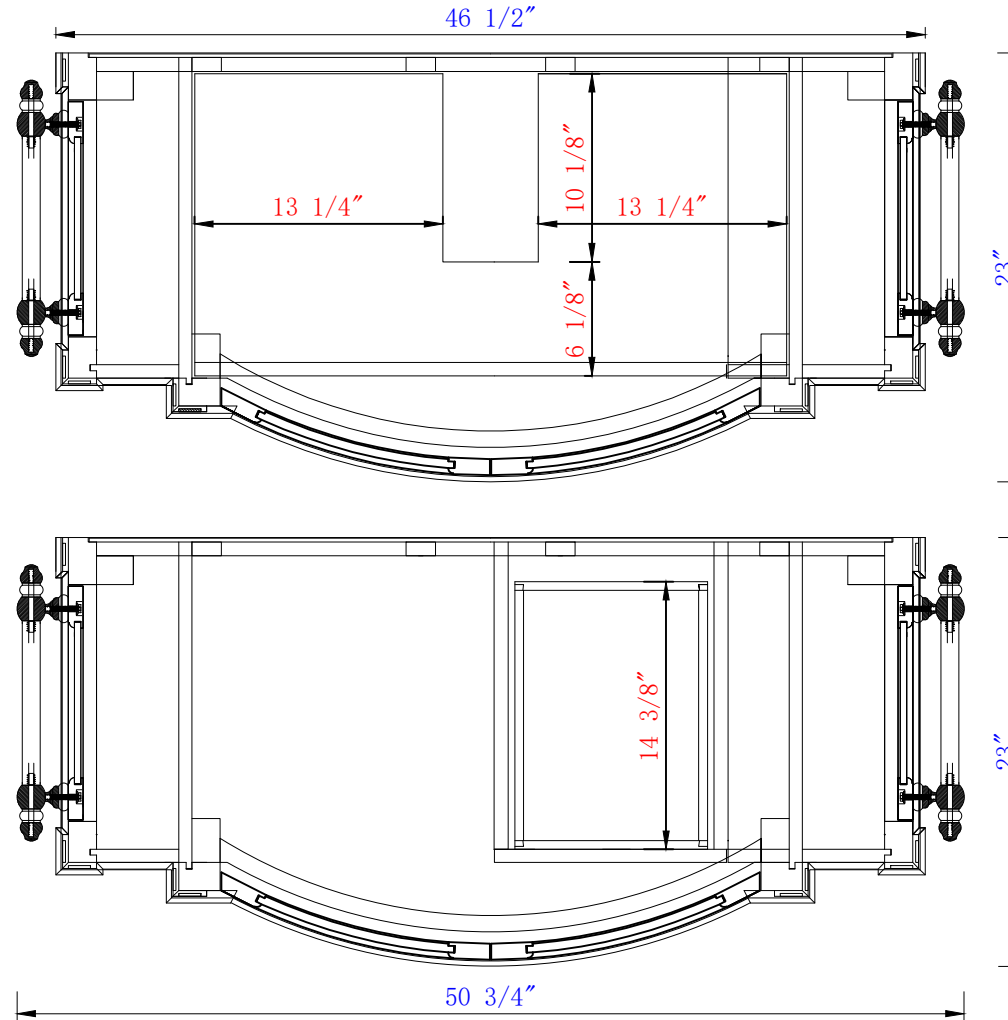


VANITIES™

Brittany 46" Single Vanity Cabinet

Diagrams with Dimensions

page 02 of 03



NOTE ONE: Countertops are not shown in these diagrams .(Cabinet Only)

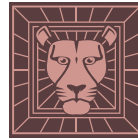
NOTE TWO: Internal Shelves (Shown) are designed to align with sinks in James Martin's Optional Countertops. Customers' own countertops and sinks may align differently, and modification may be required. Please consult our website for Countertop Diagrams: www.jamesmartinvanities.com

Version:202107

46"

Item Number:
650-V46-BKO
650-V46-BNM
650-V46-BW
650-V46-UGR
650-V46-VBL

JAMES MARTIN

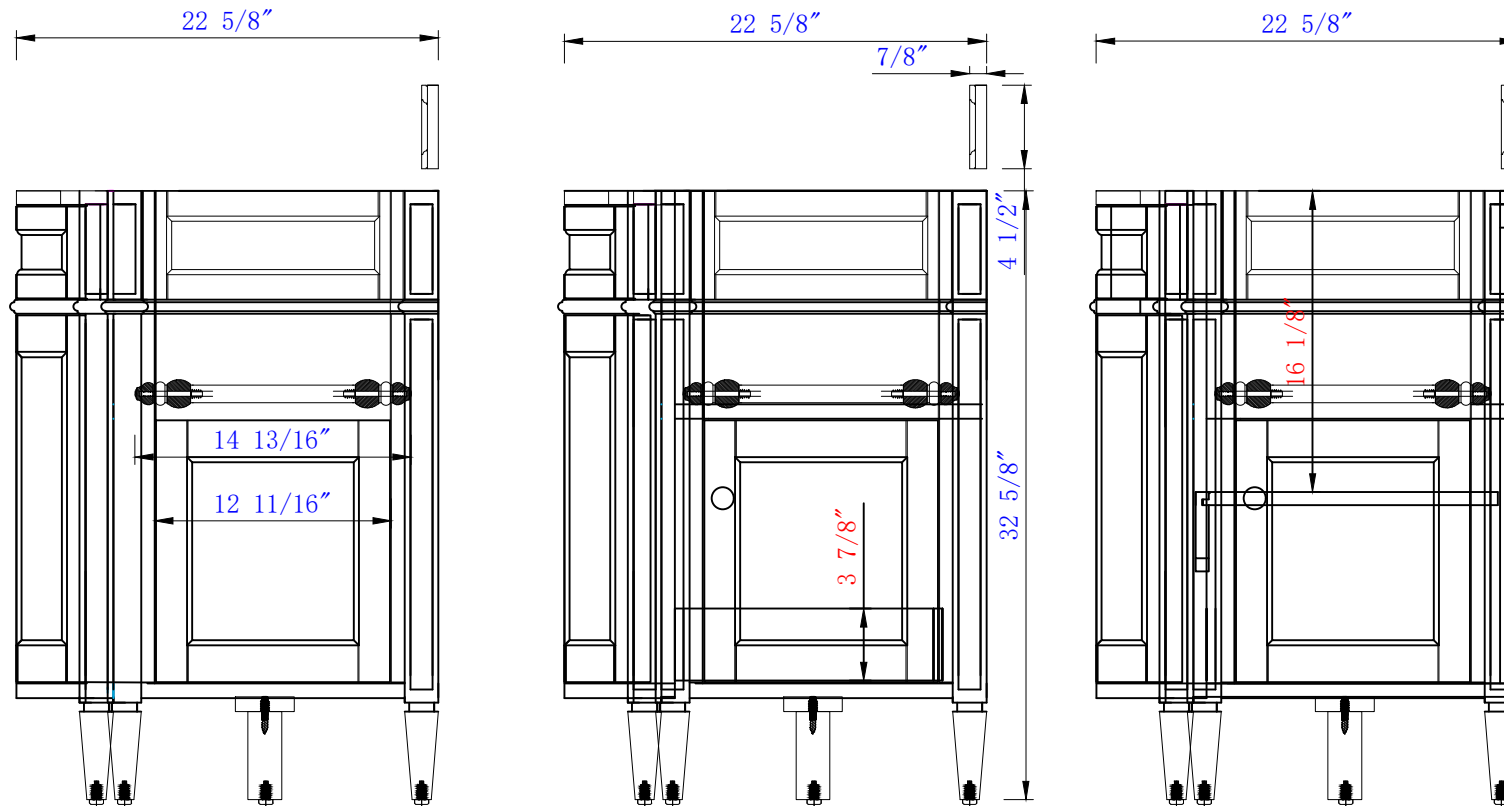


VANITIES™

Brittany 46" Single Vanity Cabinet

Diagrams with Dimensions

page 03 of 03



NOTE ONE: Countertops are not shown in these diagrams .(Cabinet Only)

NOTE ONE: Countertops are not shown in these diagrams .(Cabinet Only)

NOTE TWO: Wood Backsplash (Shown) is designed for the molding detail to align with sinks in James Martin's Optional Countertops.

Customers' own countertops and sinks may align differently.

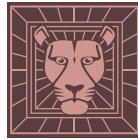
Please consult our website for Countertop Diagrams: www.jamesmartinvanities.com

Version:202107

762mm

Item Number:
650-V46-BKO
650-V46-BNM
650-V46-BW
650-V46-UGR
650-V46-VBL

JAMES MARTIN

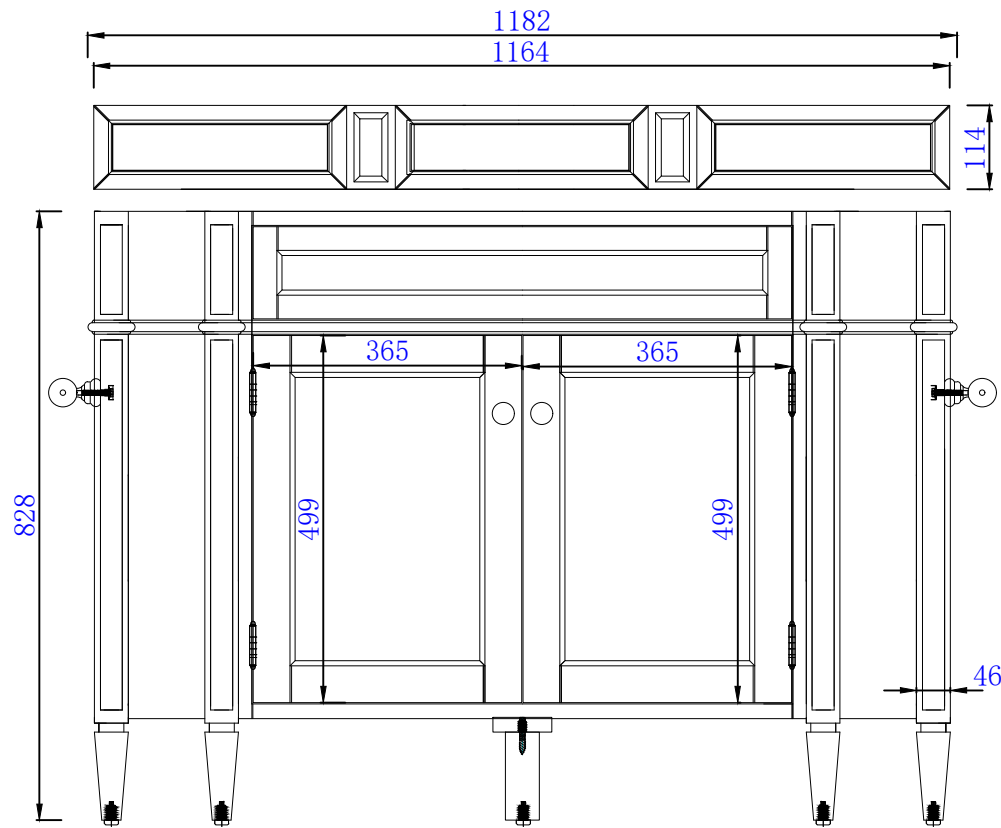


VANITIES™

Brittany 762mm Single Vanity Cabinet

Diagrams with Dimensions

page 01 of 03



NOTE ONE: Countertops are not shown in these diagrams .(Cabinet Only)

NOTE TWO: Wood Backsplash (Shown) is designed for the molding detail to align with sinks in James Martin's Optional Countertops.

Customers' own countertops and sinks may align differently.

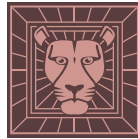
Please consult our website for Countertop Diagrams: www.jamesmartinvanities.com

Version:202107

762mm

Item Number:
650-V46-BKO
650-V46-BNM
650-V46-BW
650-V46-UGR
650-V46-VBL

JAMES MARTIN

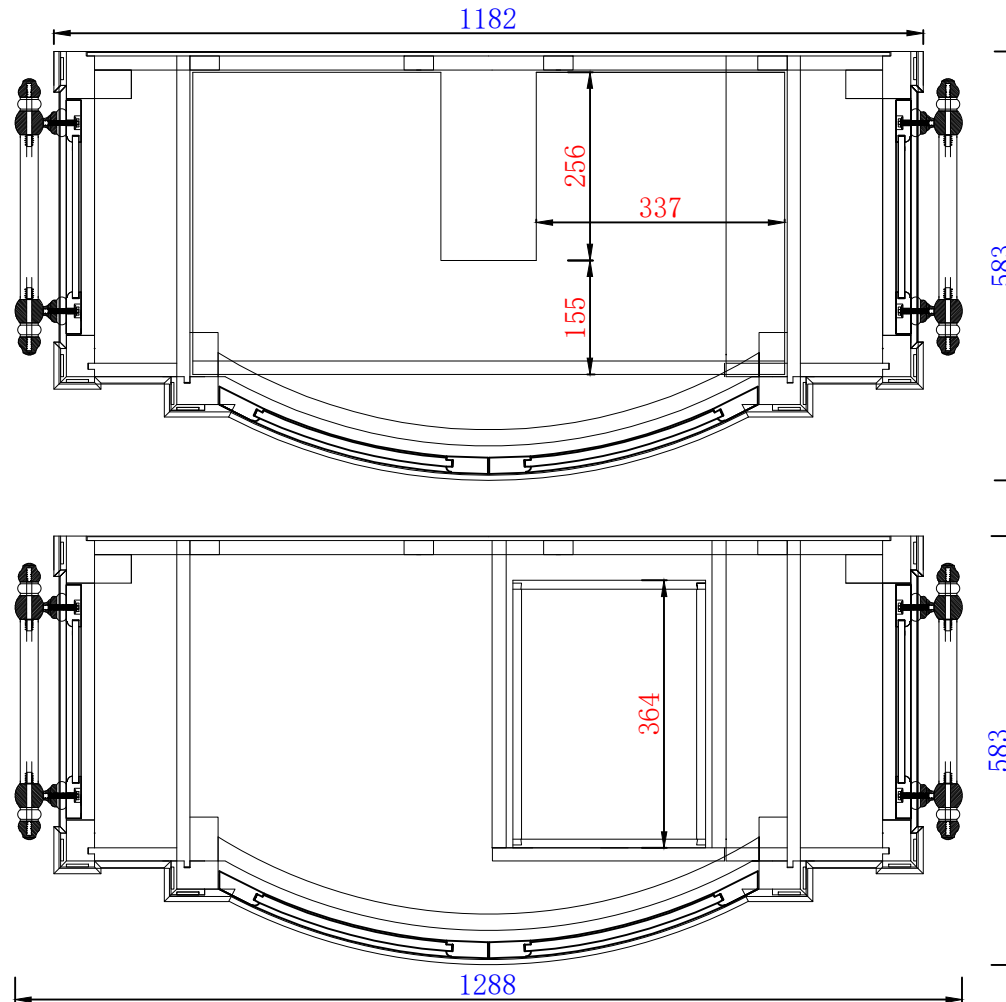


VANITIES™

Brittany 762mm Single Vanity Cabinet

Diagrams with Dimensions

page 02 of 03



NOTE ONE: Countertops are not shown in these diagrams .(Cabinet Only)

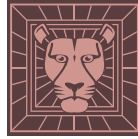
NOTE TWO: Internal Shelves (Shown) are designed to align with sinks in James Martin's Optional Countertops. Customers' own countertops and sinks may align differently, and modification may be required. Please consult our website for Countertop Diagrams: www.jamesmartinvanities.com

Version:202107

762mm

Item Number:
650-V46-BKO
650-V46-BNM
650-V46-BW
650-V46-UGR
650-V46-VBL

JAMES MARTIN

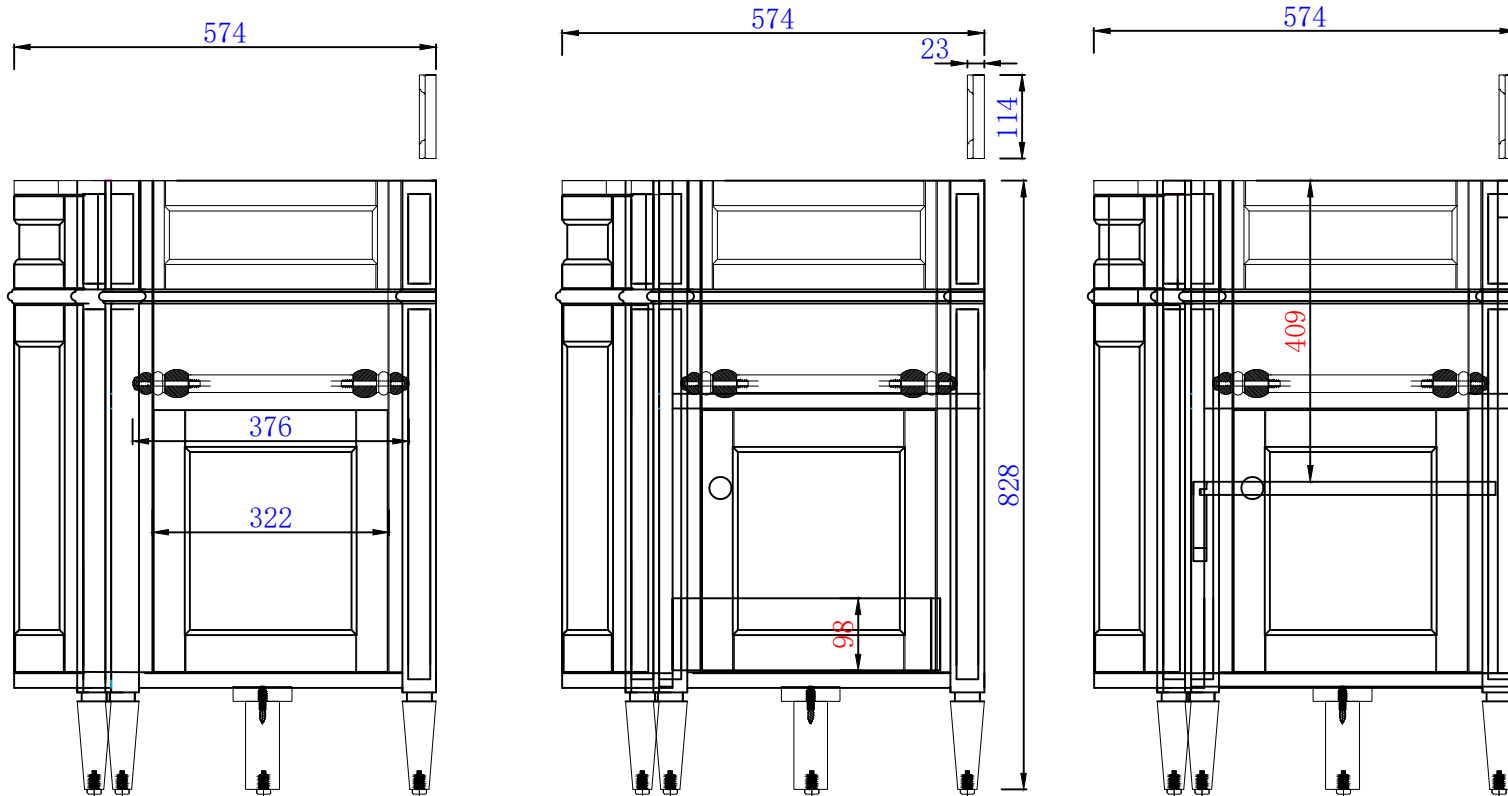


VANITIES™

Brittany 762mm Single Vanity Cabinet

Diagrams with Dimensions

page 03 of 03



NOTE ONE: Countertops are not shown in these diagrams .(Cabinet Only)

NOTE TWO: Wood Backsplash (Shown) is designed for the molding detail to align with sinks in James Martin's Optional Countertops.

Customers' own countertops and sinks may align differently.

Please consult our website for Countertop Diagrams: www.jamesmartinvanities.com

Version:202107