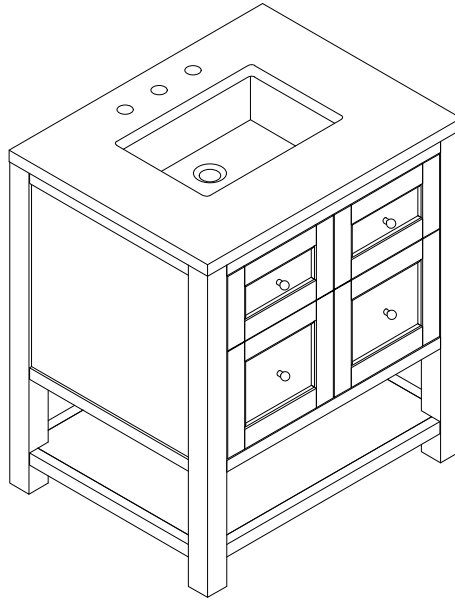


30" BRECKENRIDGE VANITY

JAMES MARTIN
VANITIES™

330-V30-LNO



Features

Materials

Solids (Species): Ash

Veneers: Flat Cut White Oak

Panels: Plywood

Number of Basins: Single

Vanity Top : Sold Separately - 3cm Top with Sink

Basins Included: No

Number of Doors: Two

Number of Drawers: No

Number of Tip Outs: No

USB/Power Component:Yes (ETL5011080)

Assembly Required: No

Bamboo Storage Tray: No

Drawer Box Material and Construction: No

Hardware Material and Finish: Zinc Alloy in Matte Black

Fits Drain Hole Size: 1-3/4"

Full Extension, Soft Close Glides: No

European Soft Close Hinges: Yes

Aluminum Laminate Drawer Liners: No

Dimension

Width:29-7/8"

Depth:23-1/2"

Height:33"

Rough-In Height:21-1/2"

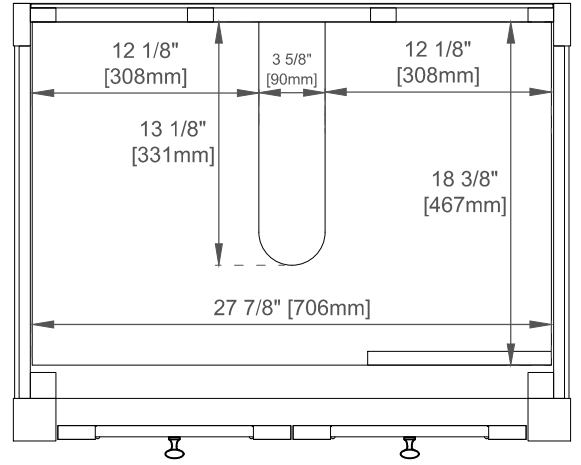
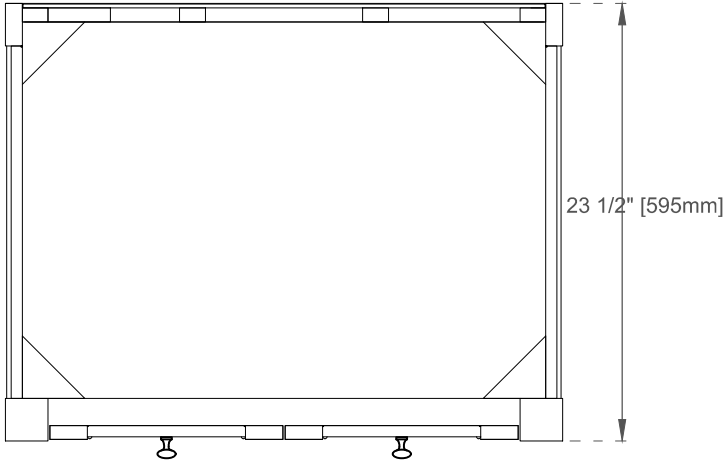
Visit website for warranty and installation information
www.jamesmartinvanities.com

Version:202211

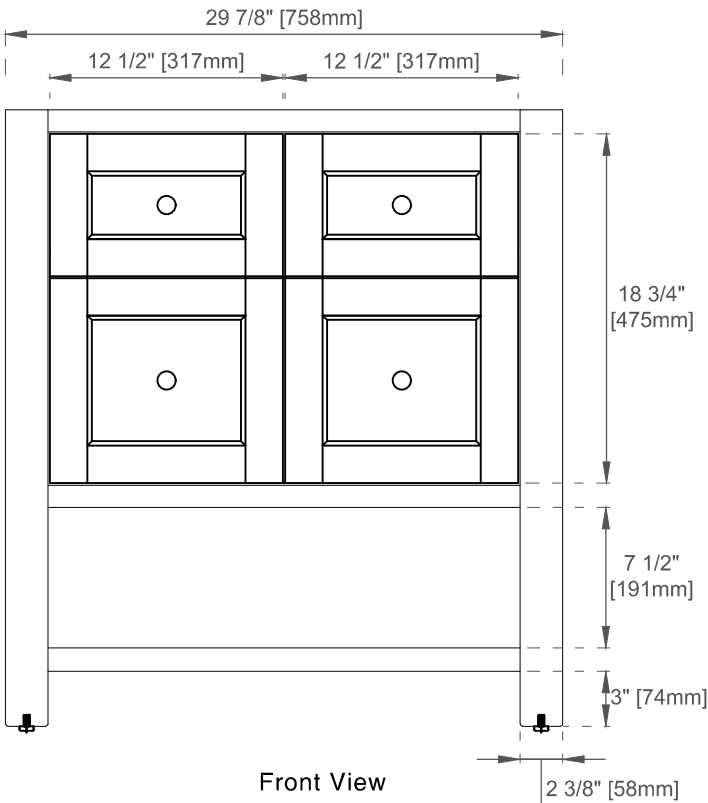
30" BRECKENRIDGE VANITY



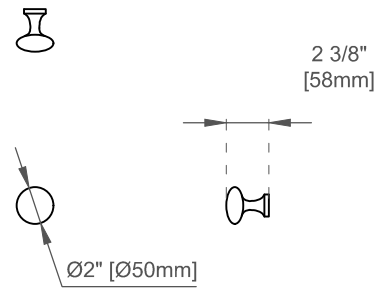
330-V30-LNO



Top View



Front View



Knob

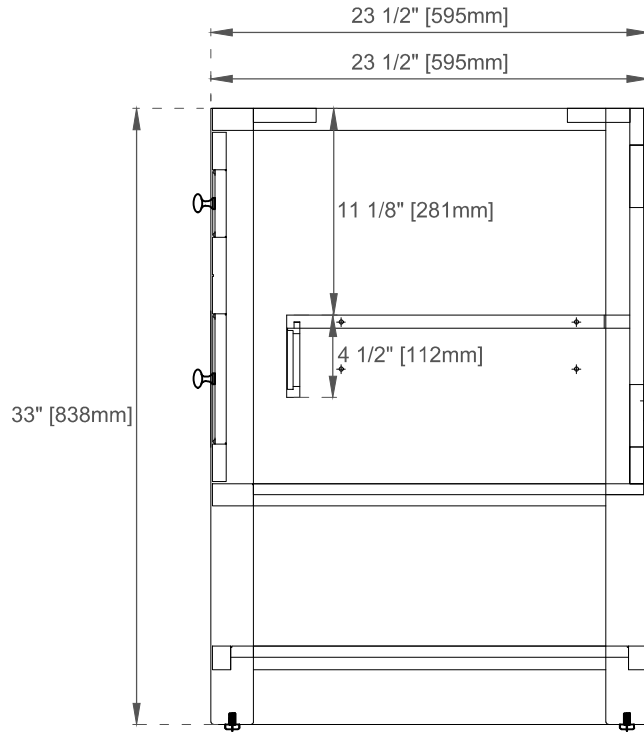
Diagrams are of cabinets only –James Martin Optional Countertops and sinks are not shown

Visit website for warranty and installation information
www.jamesmartinvanities.com

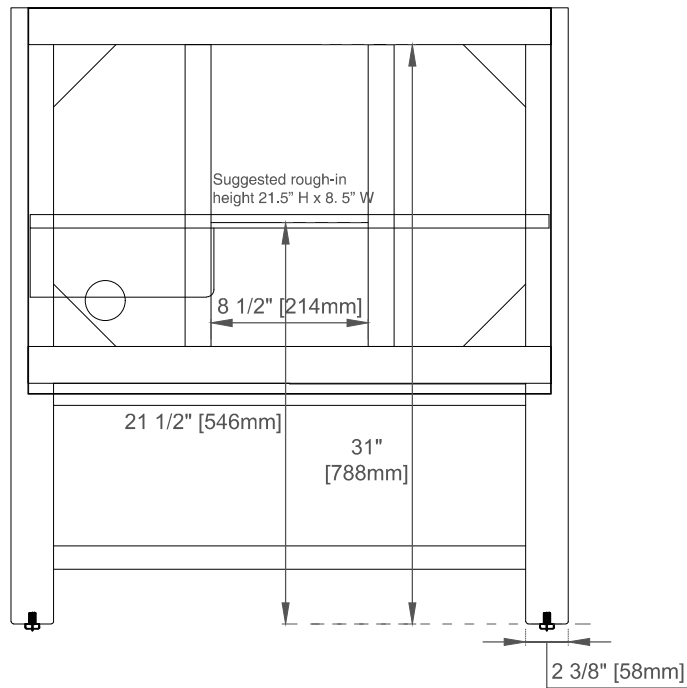
30" BRECKENRIDGE VANITY



330-V30-LNO



Side View



Back View

Diagrams are of cabinets only –James Martin Optional Countertops and sinks are not shown

Visit website for warranty and installation information
www.jamesmartinvanities.com