

# 4260VN

41 $\frac{1}{2}$ " x 59 $\frac{3}{4}$ " x 23"

**Installation:** Drop-in  
cannot be under mounted

**GENERAL SPECIFICATIONS:**

**Material** Acrylic

**Plumbed Weight :** 170lbs / 77kg

**Soaker Weight :** 140lbs / 63kg

**Average Fill:** 70 gal to above jet level

**ELECTRICAL SPECIFICATIONS:**

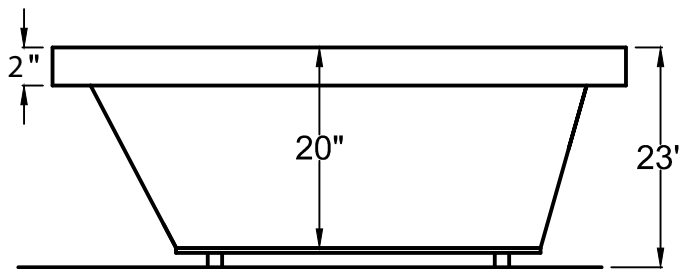
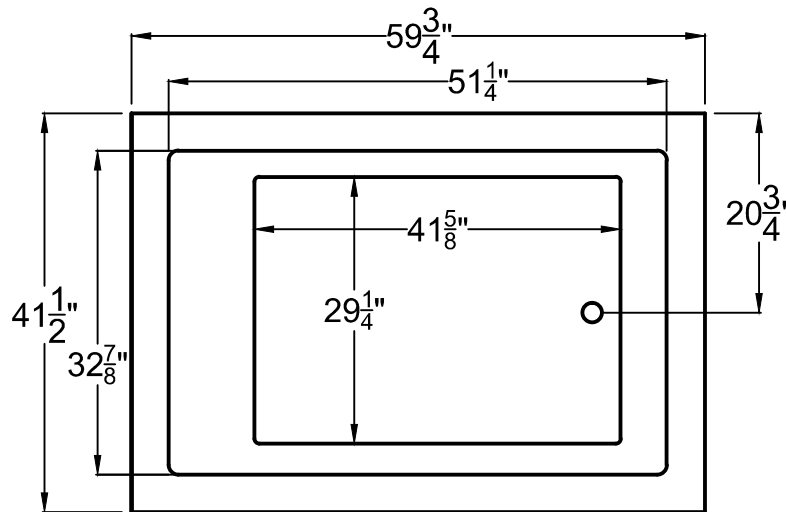
Required Electrical Service 110 Volt

Air Bath or Whirlpool 1-15 amp GFCI

Whirlpool with Inline Heater 1-20 amp GFCI

Whirlpool and Air 1-20 amp GFCI

Soaker



**PACKAGES AND OPTIONS**

Hydrotherapy Package	Package Contents	Part #
Soaker	Soaking bath - no jets, textured bottom	4260VNS
Whirlpool	Adjustable pointed-massage jets, 1-hp pump, textured bottom	4260VNH
Air Bath	Air jets, Air blower, Textured bottom	4260VNA
Whirlpool and Air	Adjustable pointed-massage jets, 1-hp pump, Air jets, Air blower, textured bottom	4260VND

**OPTIONS**

Colors Available - White Biscuit

Quick Ship - reduces lead time - call for availability

Inline Heater with Pump - Whirlpool or Whirlpool and Air

Lift & Turn Drain Kit -Chrome,Brushed Nickel, White

Color Match Jets.

**IMPORTANT INFORMATION**

- Before ordering or installing, please consider future access to equipment.
- Add bedding compound to fully level and support bottom of tub.
- Tubs equipped with an air bath or a pre-leveled foam base are designed to rest on the floor without bedding compound, provided the floor is level.
- Please measure tub on-site before building tub decking.
- Jet, pump & blower locations are predetermined and cannot be changed.
- Suction and control locations may vary.
- Specifications and configurations are subject to change without notice.
- Measurements are +1/2" and are subject to change without notice.
- Measurements herein supersede all others published prior to publication date shown below.