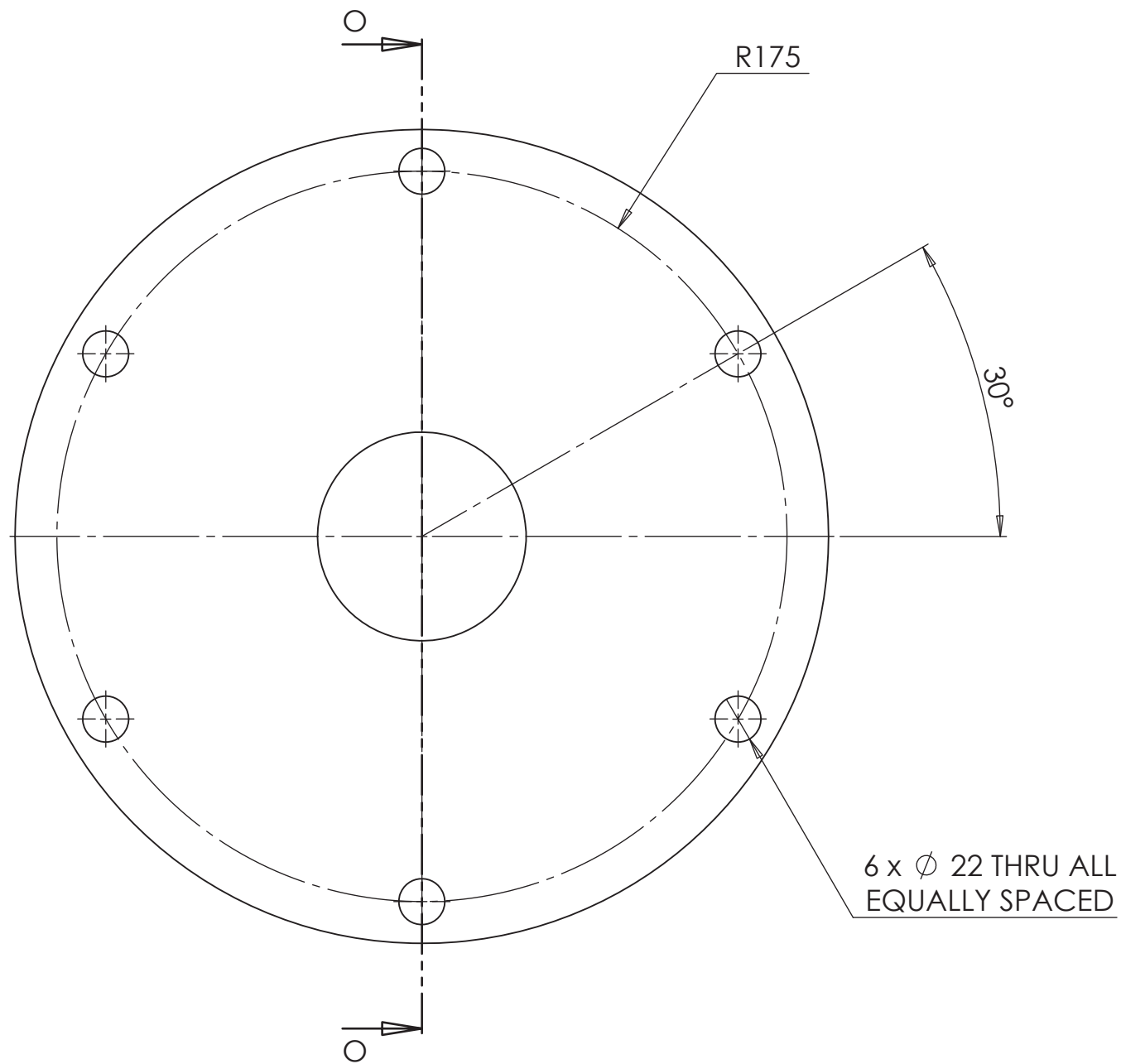
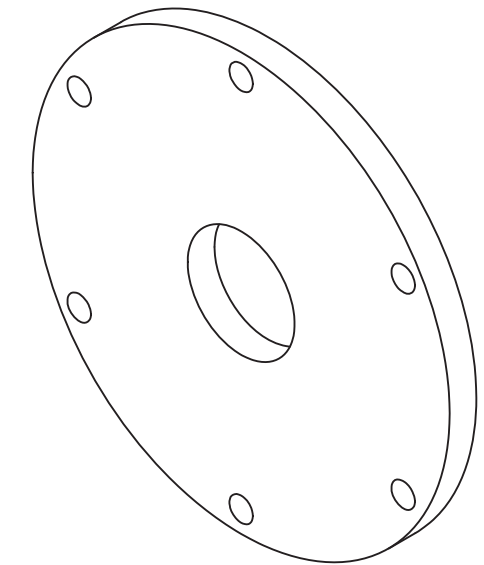
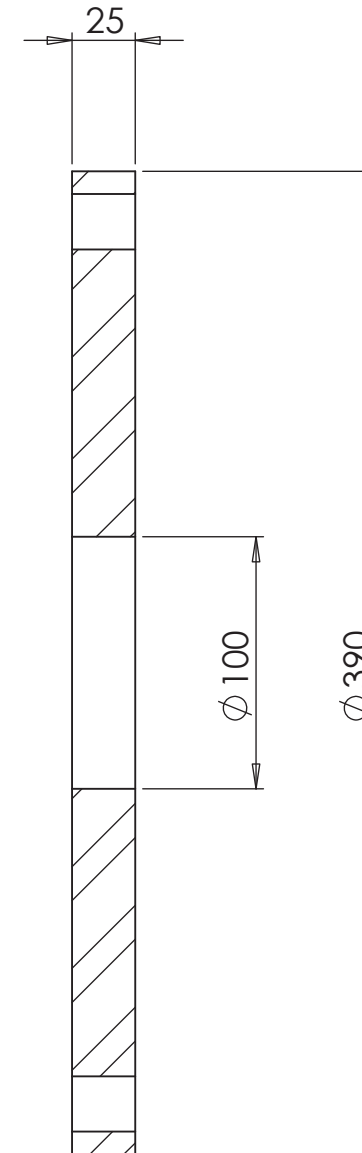


SECTION O-O



6 x ϕ 22 THRU ALL EQUALLY SPACED

<p>PROPRIETARY AND CONFIDENTIAL</p> <p>THE INFORMATION CONTAINED IN THIS DRAWING IS THE SOLE PROPERTY OF TESTAR AUSTRALIA PTY LTD. ANY REPRODUCTION IN PART OR AS A WHOLE WITHOUT THE WRITTEN PERMISSION OF TESTAR AUSTRALIA IS PROHIBITED.</p> <p>WEIGHT: 21.45 kg</p> <p>MATERIAL: Carbon Steel G300</p> <p>FINISH: Hot dip galvanized + black painted</p> <p>CONTACT: info@testar.com.au</p>	<p>NAME: Adrino Masatani</p> <p>DATE: 26/05/2022</p>	<p>TESTAR</p>	
	<p>DRAWN: Adrino Masatani</p> <p>APPROVED:</p>		<p>TITLE: BOTTOM PLATE PIER 2000 1200-900-700</p>
	<p>UNLESS OTHERWISE SPECIFIED: DIM ARE IN INCHES. DEC: .X \pm .5 .XX \pm .05 .XXX \pm .005 .XXXX \pm .0005 ANG: \pm 1° BREAK ALL EDGES</p>		<p>SIZE: A3</p>
	<p>SCALE: 1:3 <small>DO NOT SCALE DRAWING</small></p>		<p>DWG. NO. 13</p> <p>REV</p> <p>SHEET 13 OF 15</p>